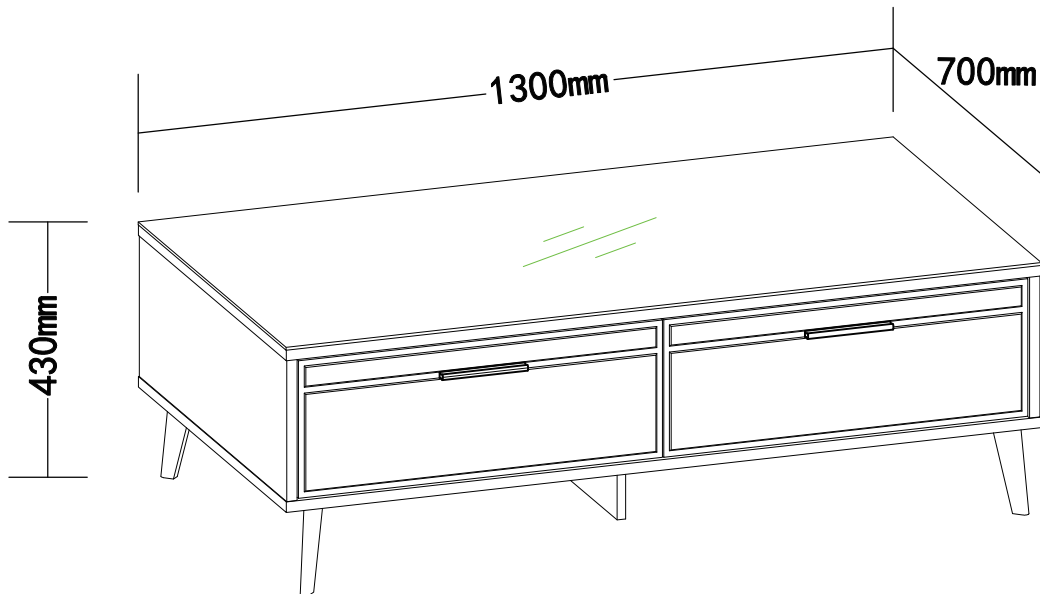


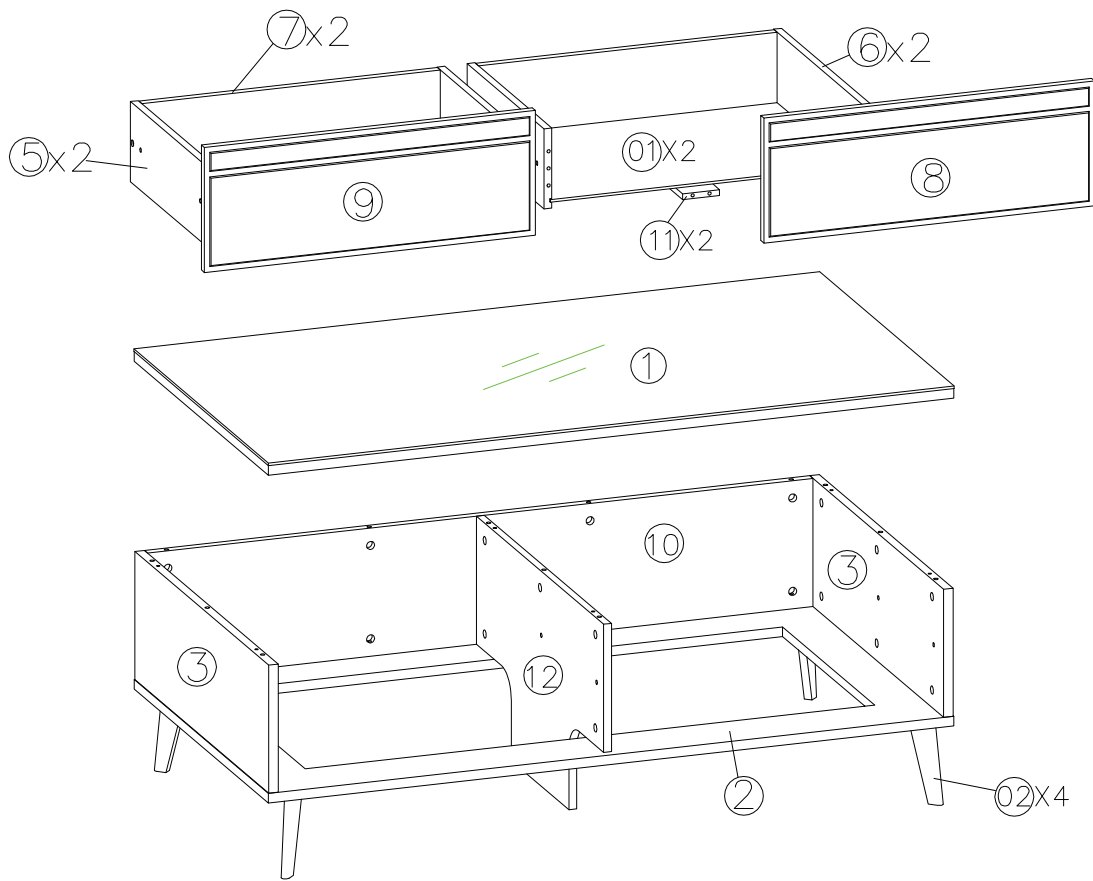
PRODUCT NAME

LANGFORD 130 Coffee Table



EN

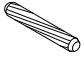





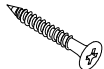

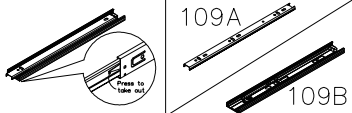


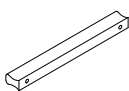

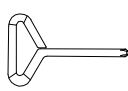
1. Identify the parts which make up your piece of furniture.
 2. Gather the hardware parts and count them.
 3. Have the necessary assembly tools ready.
 4. Organize a space for assembly, wall carpeting or a blanket will protect the furniture against scratches.
 5. Never force the assembling while you put the parts together. You are recommended to tighten the screws after the furniture has been used for some time.
 6. After assembling this product, it is advisable to regularly ventilate the room for a few days.
- KEEP THE ASSEMBLY INSTRUCTION. THE RELEVANT INFORMATION YOU CAN FIND ON IT WILL HELP YOU GET IN TOUCH WITH YOUR STORE IF A PART WAS TO BE MISSING.



No.	Size	Qty	Ctn no.
1	1300*700*23	1	2-1
2	1299*699*18	1	2-1
3	697*240*18	2	2-1
5	400*150*15	2	2-1
6	400*150*15	2	2-1
7	566*150*15	2	2-1
8	672*234*18	1	2-1

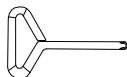
No.	Size	Qty	Ctn no.
9	672*234*18	1	2-1
10	1261*240*18	1	2-1
11	382*70*12	2	2-1
12	663*399*15	1	2-1
01	574*390*5	2	2-1
02	H=148	4	2-2

HARDWARE LIST

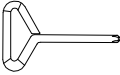
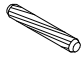

101x22  φ6X30mm	102x23  φ15*12mm	103x23  φ7*32.5mm	104x16  φ12*10mm	105x16  φ6*19.5mm	106x6  φ10	107x6  φ5X50mm	108x20  φ4X12mm
109x2  L=400mm	110x16  φ4X16mm	111x2  φ14*5	112x2  CC128	113x4  M4X22mm	114x3 		



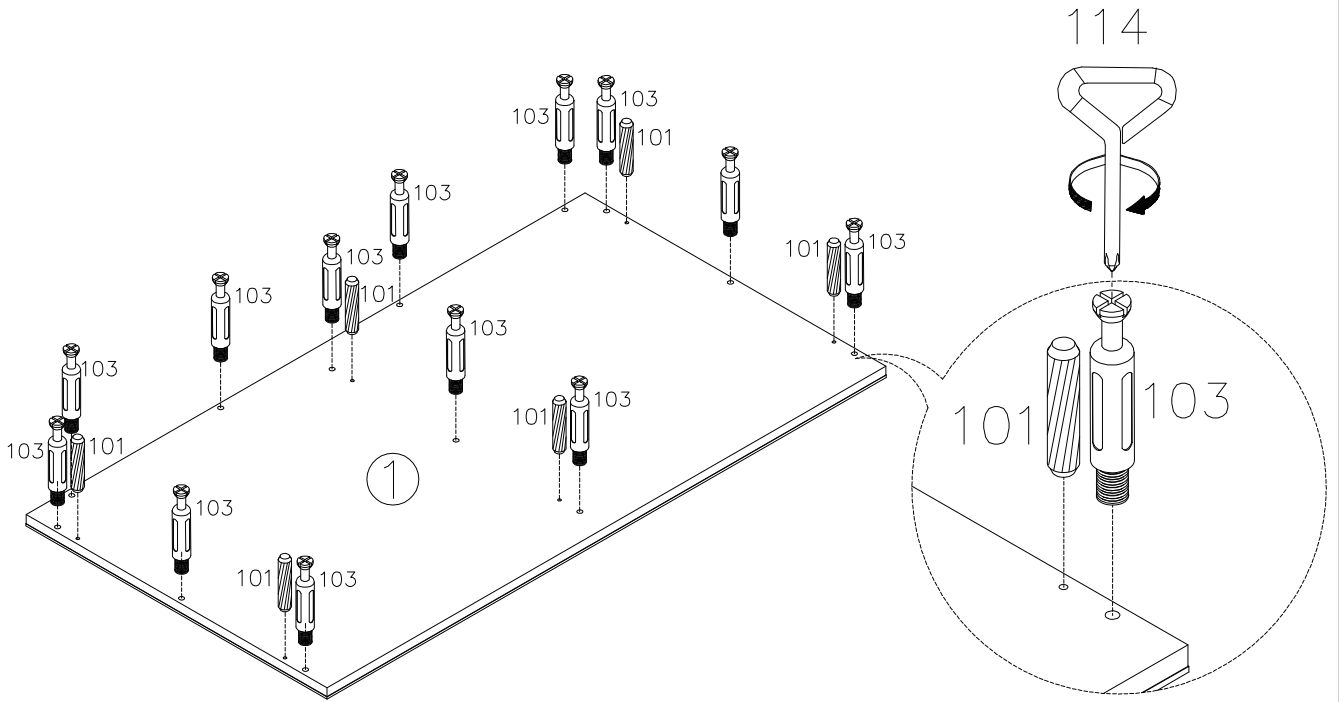
OUTILLAGE:
TOOLS:

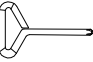





A SOFT CLOTH IS SUITABLE FOR PRODUCT CARE.

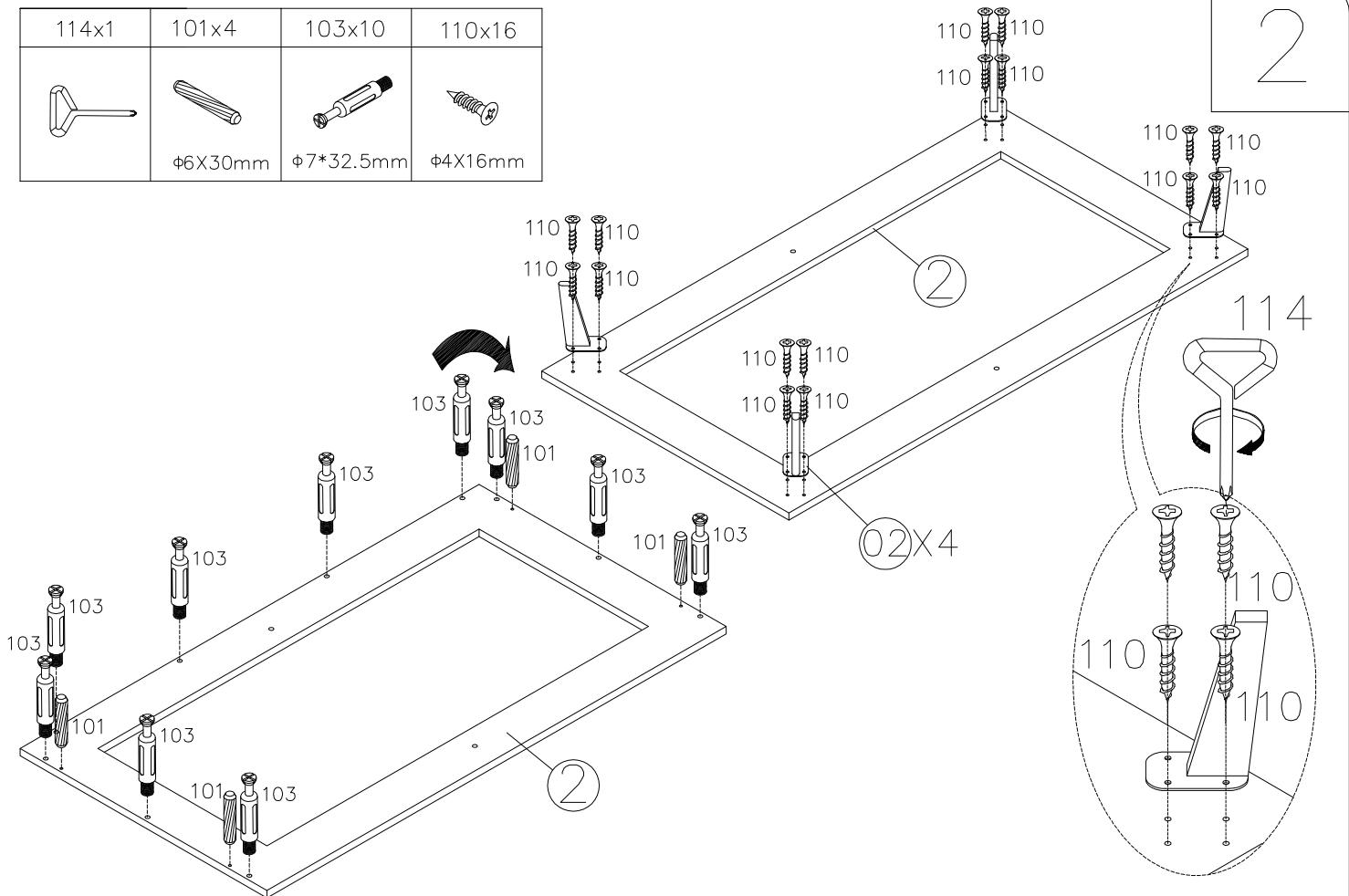
114x1	101x6	103x13
		
	φ6X30mm	φ7*32.5mm

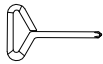


1



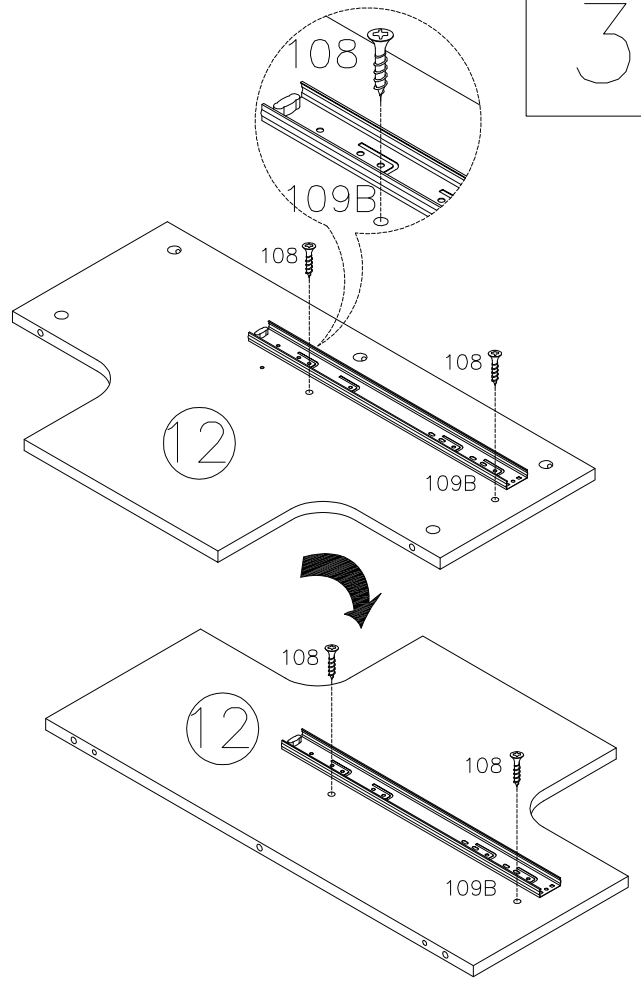
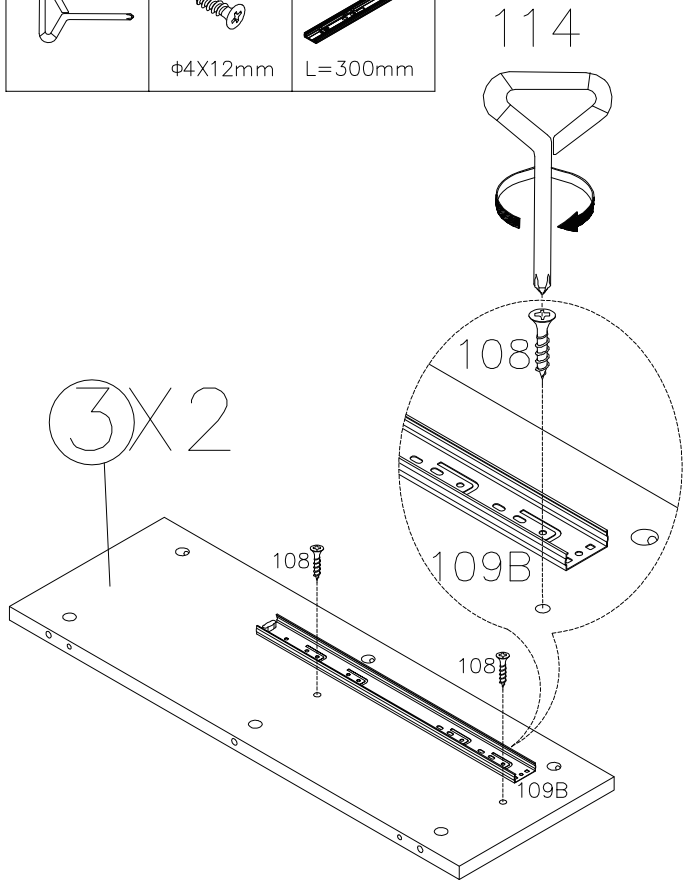
114x1	101x4	103x10	110x16
			
	φ6X30mm	φ7*32.5mm	φ4X16mm

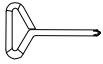
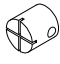


2



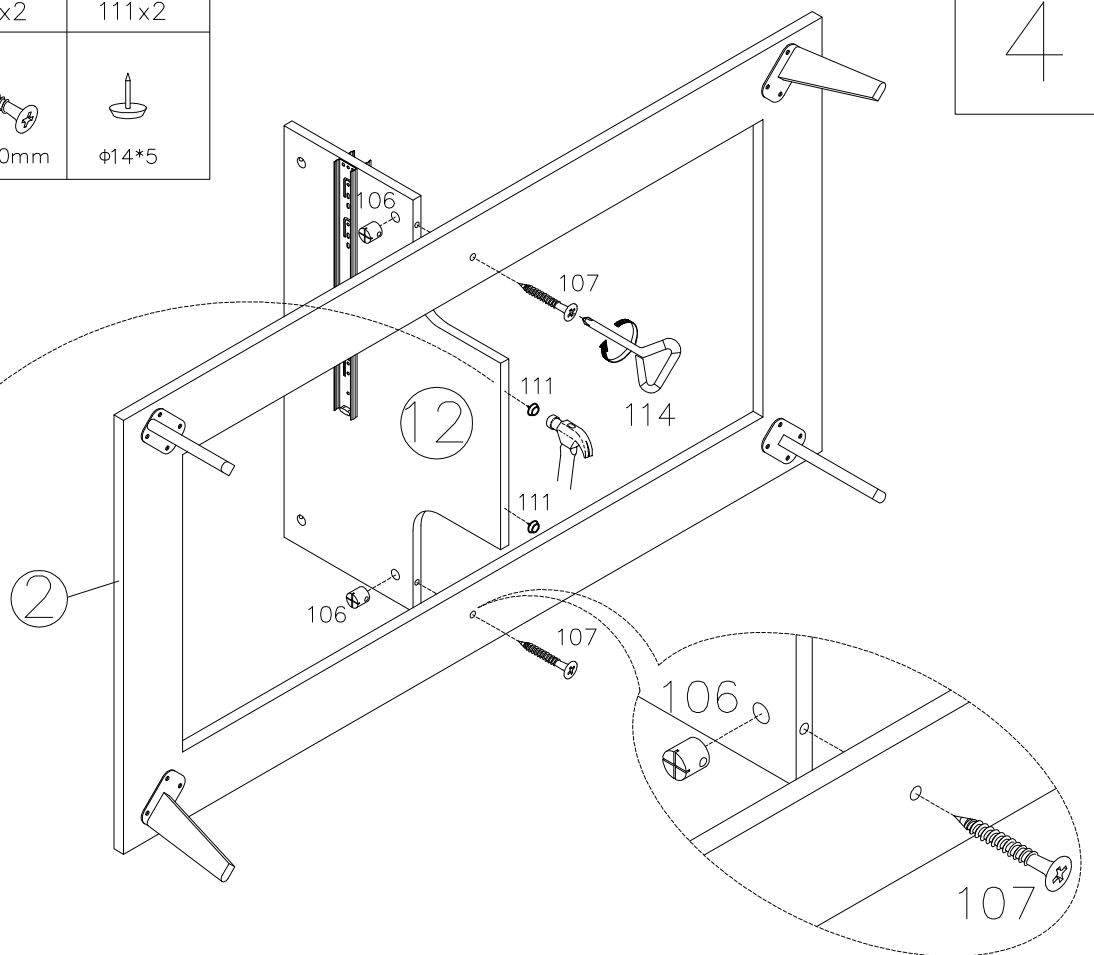
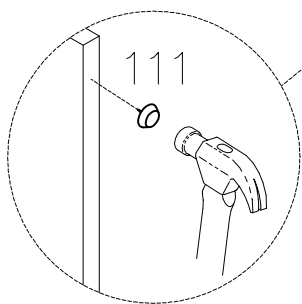
114x1	108x8	109B X4
		
	φ4X12mm	L=300mm

3

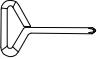



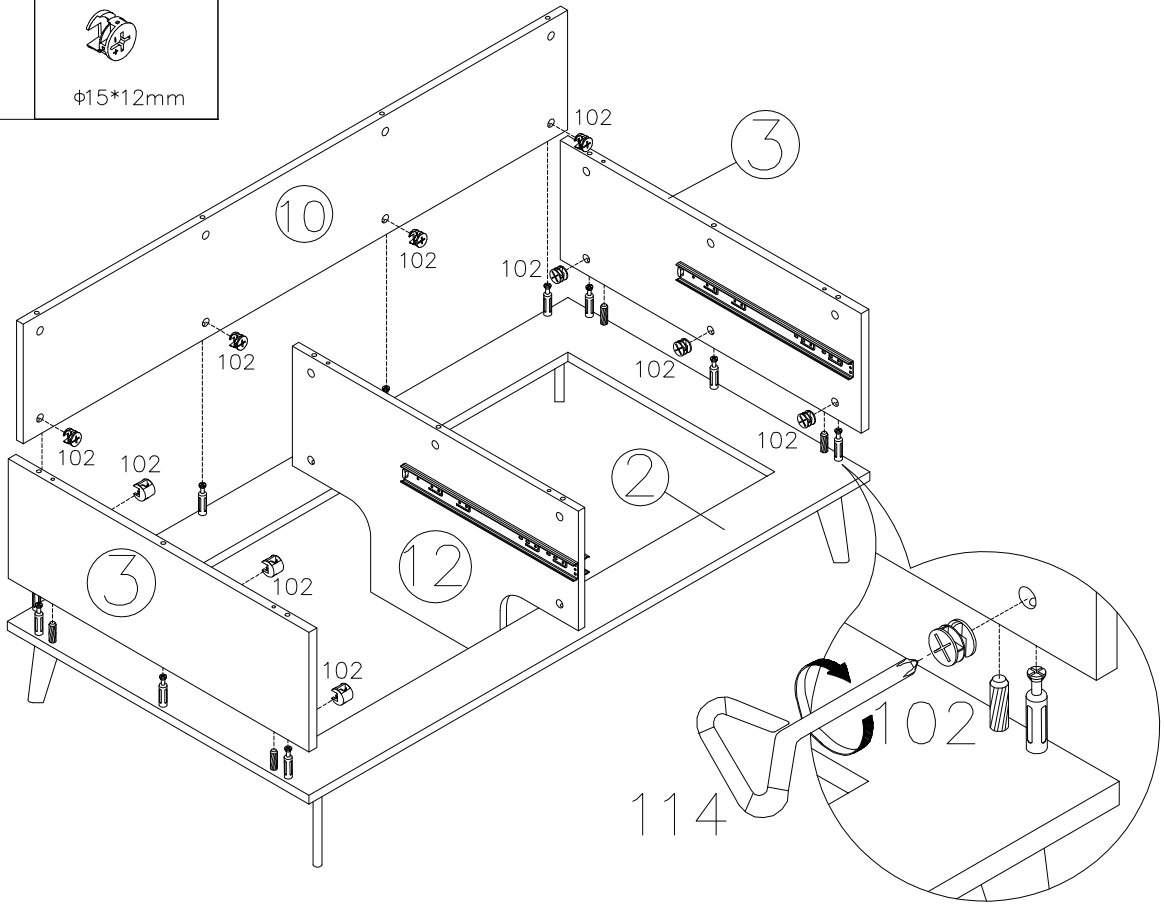
114x1	106x2	107x2	111x2
			
	φ10	φ5X50mm	φ14*5

4

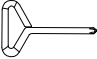



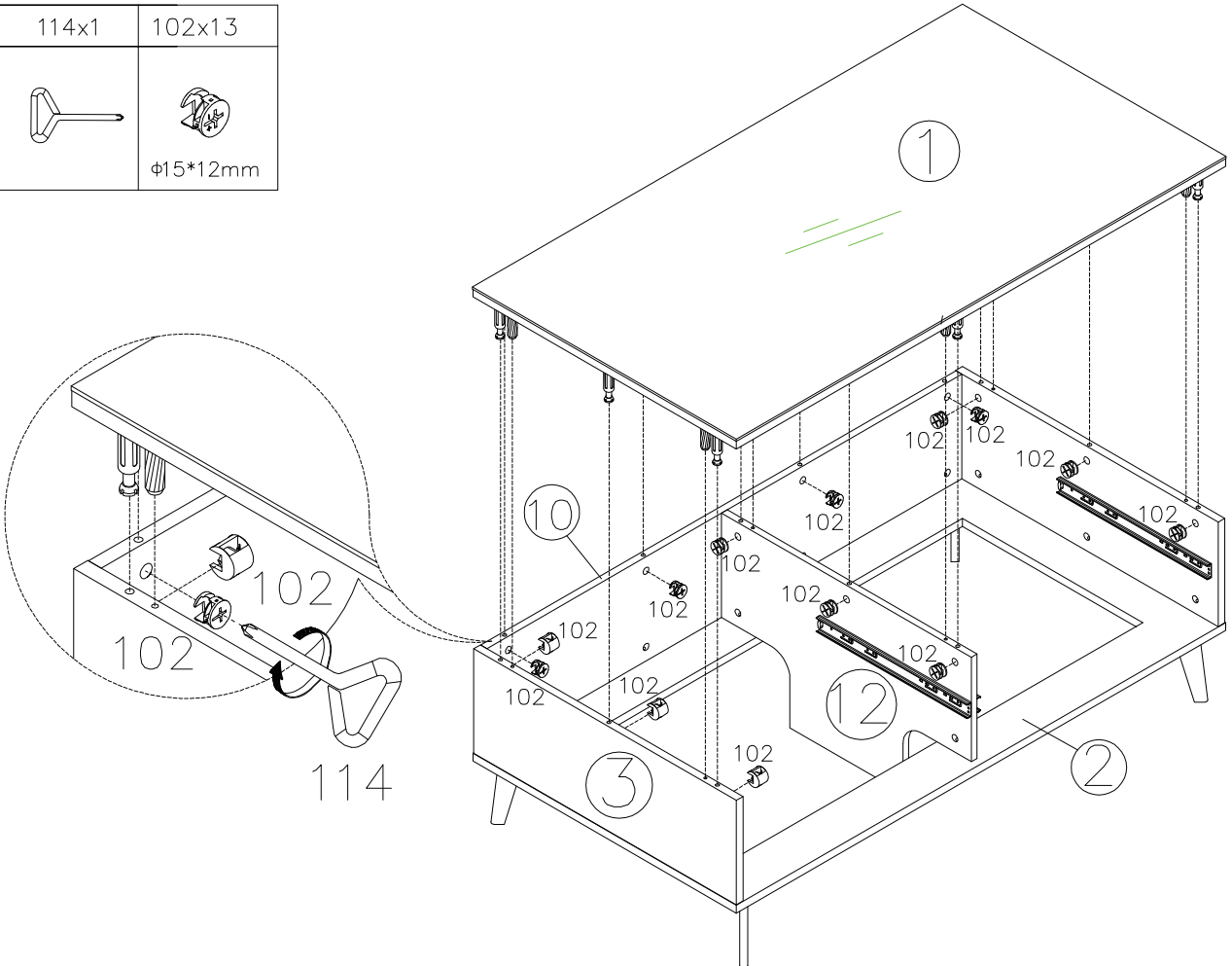
5

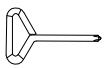
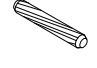

114x1	102x10
	 φ15*12mm



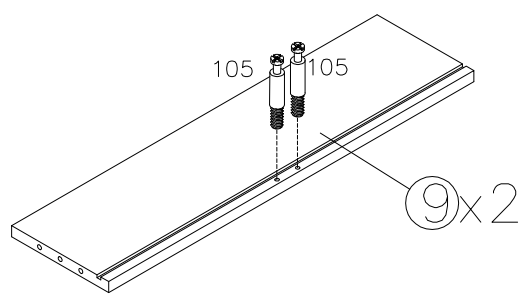
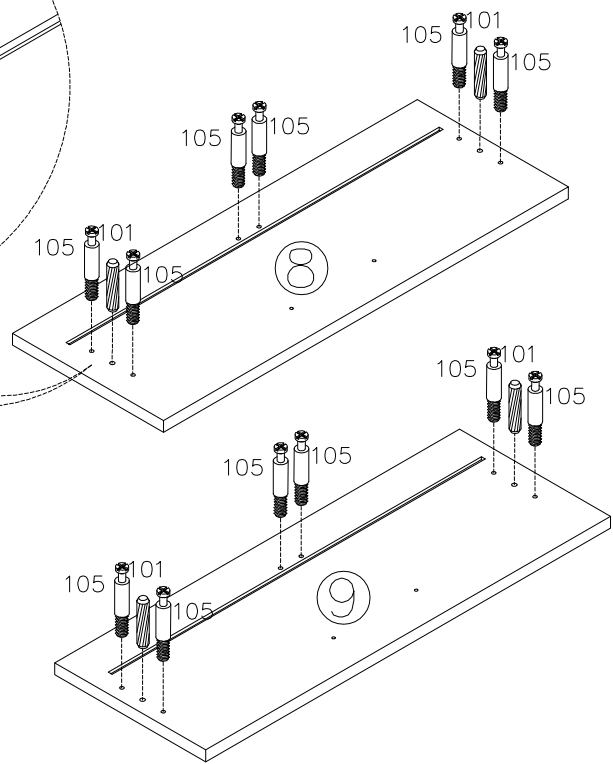
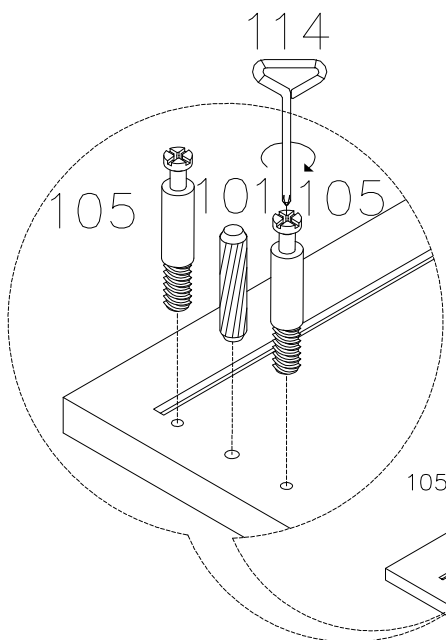
6

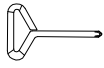
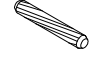



114x1	102x13
	 φ15*12mm



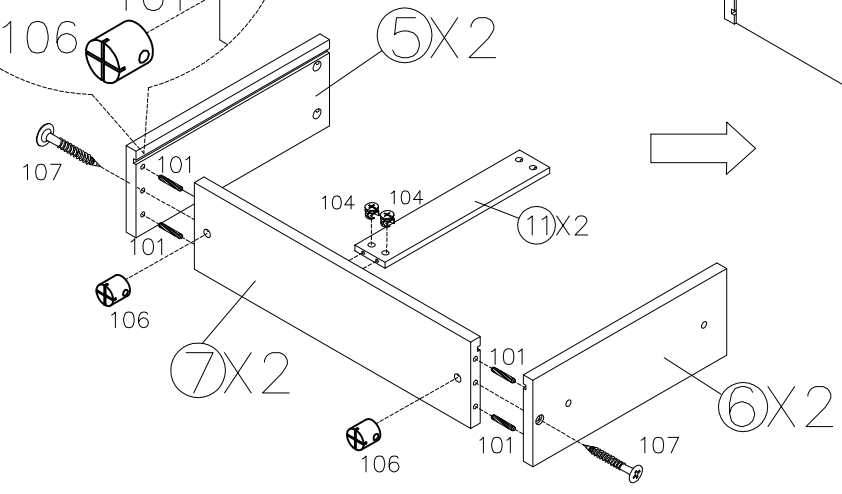
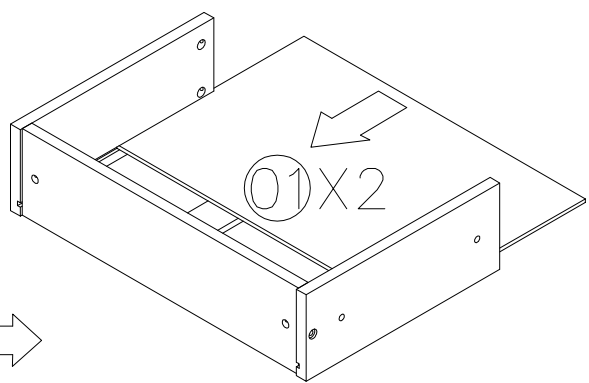
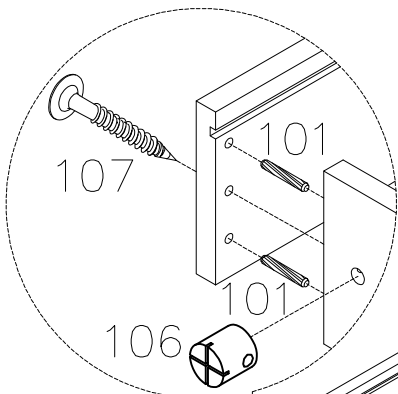
114x1	101 x4	105x16
		
	φ6X30mm	φ6*19.5mm

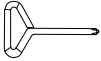



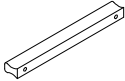

7



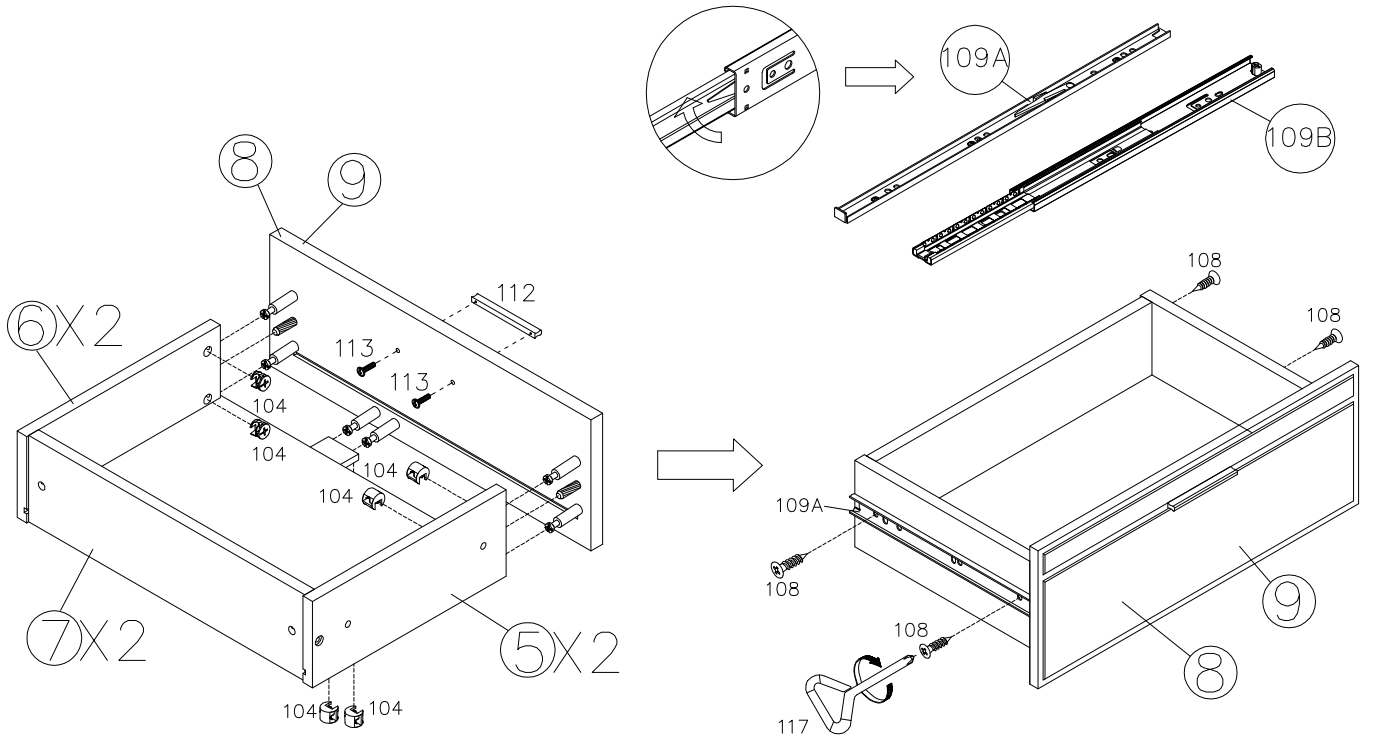
114x1	101x8	104x4	106x4	107x4
				
	φ6X30mm	φ12*10mm	φ10	φ5X50mm

8



114x1	104x12	109A X4	108x8	112x2	113x4
					
	Φ12*10mm	L=300mm	Φ4X12mm	CC128	M4X22mm

9



10

