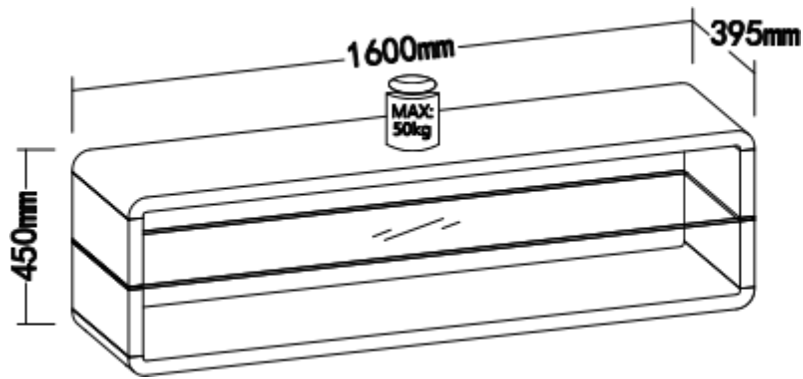
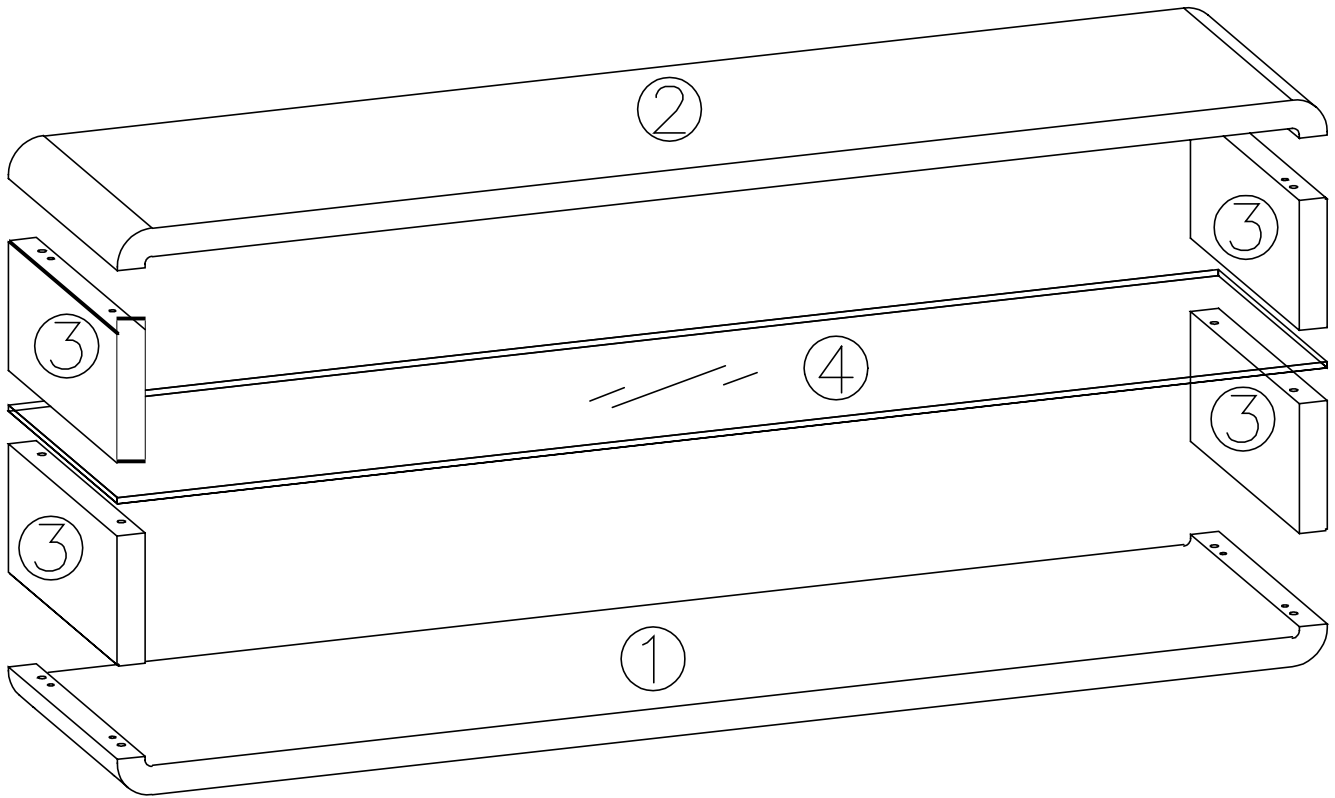


PRODUCT NAME


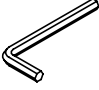

Suki 160 TV Unit



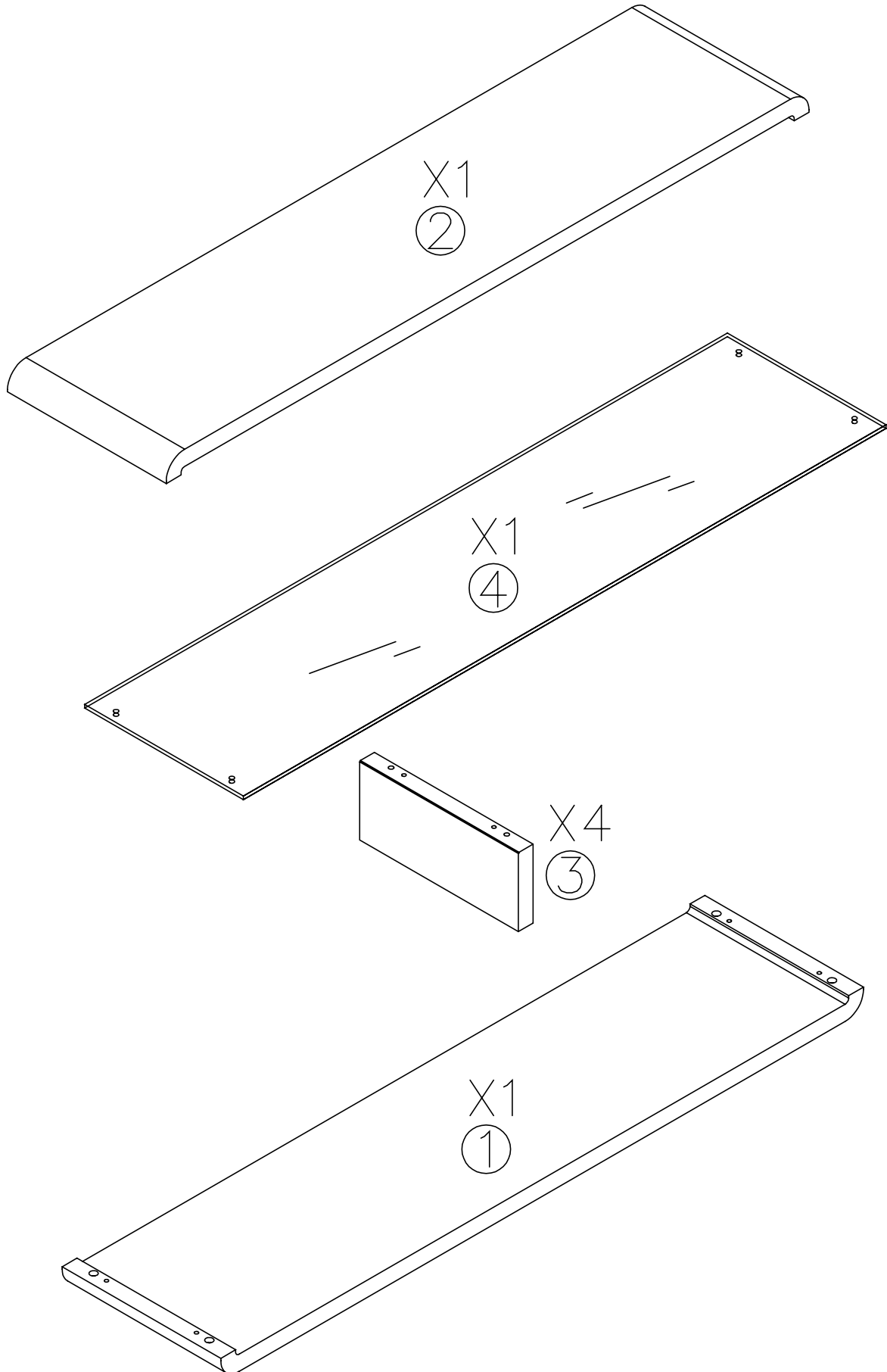
1. Identify the parts which make up your piece of furniture.
 2. Gather the hardware parts and count them.
 3. Have the necessary assembly tools ready.
 4. Organize a space for assembly, wall carpeting or a blanket will protect the furniture against scratches.
 5. Never force the assembling while you put the parts together. You are recommended to tighten the screws after the furniture has been used for some time.
 6. After assembling this product, it is advisable to regularly ventilate the room for a few days.
- KEEP THE ASSEMBLY INSTRUCTION. THE RELEVANT INFORMATION YOU CAN FIND ON IT WILL HELP YOU GET IN TOUCH WITH YOUR STORE IF A PART WAS TO BE MISSING.



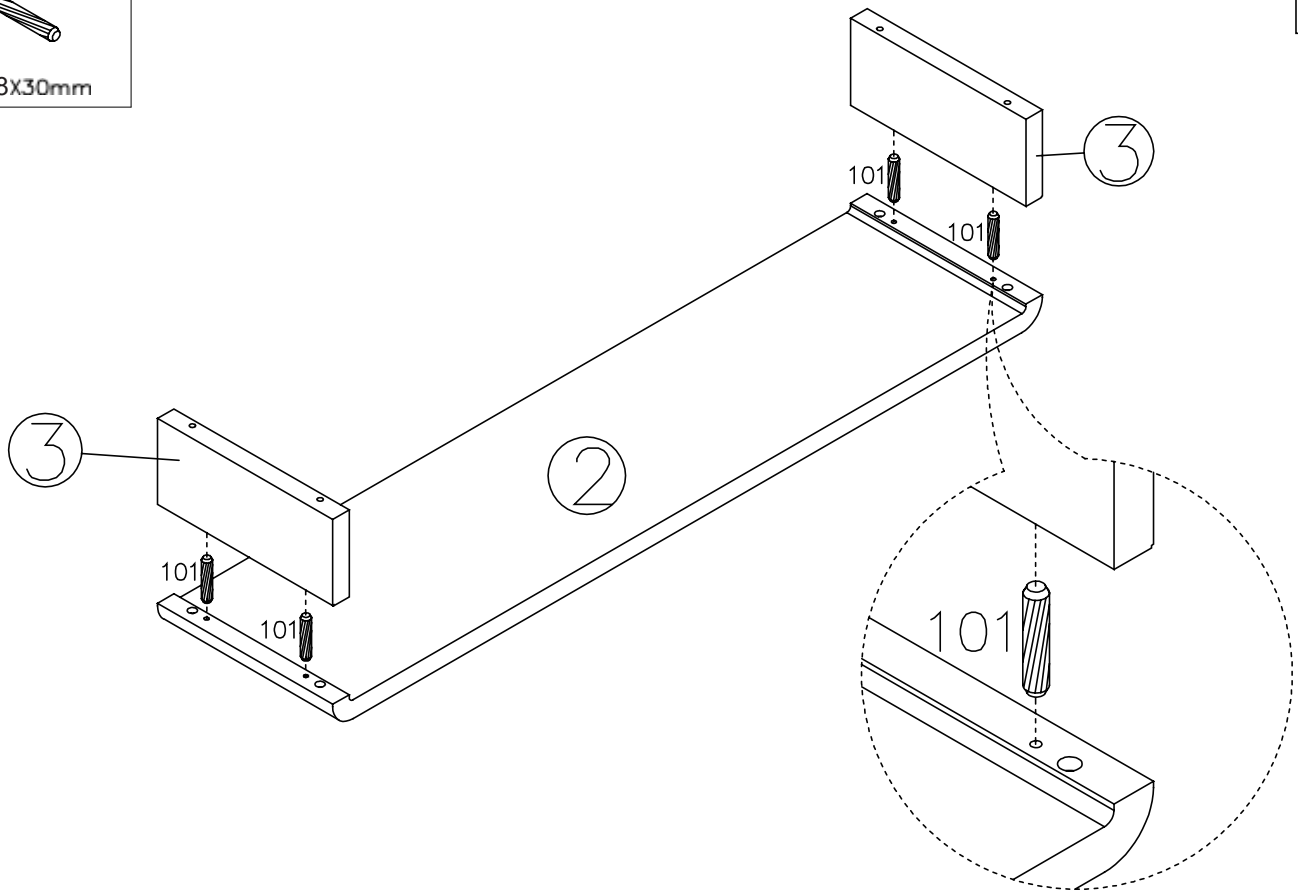
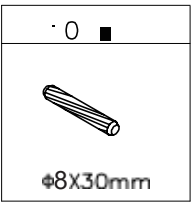
HARDWARE LIST

101		∅8x30mm	8PCS	103		5x20x60mm	1PCS
102		M8x410mm	4PCS				

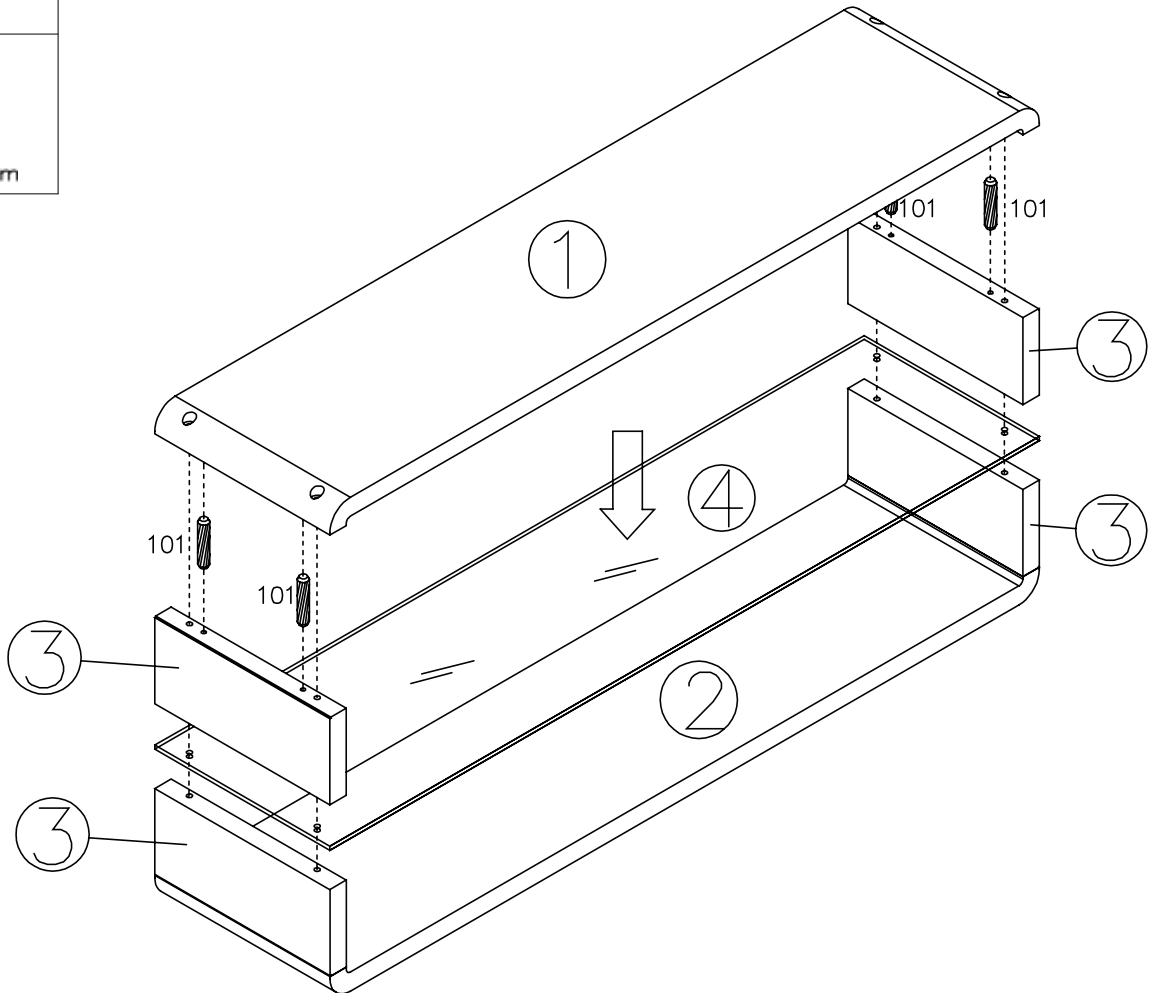
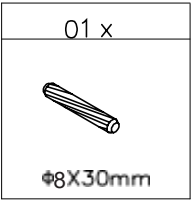
PARTSLIST



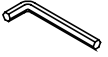

1

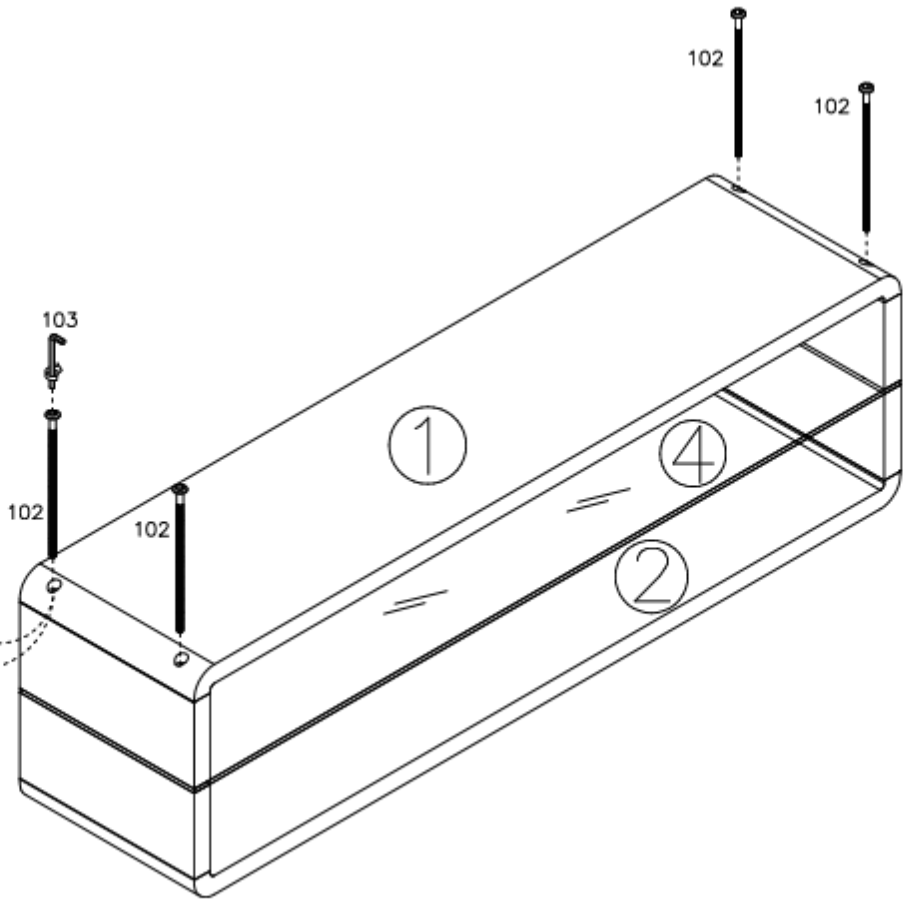
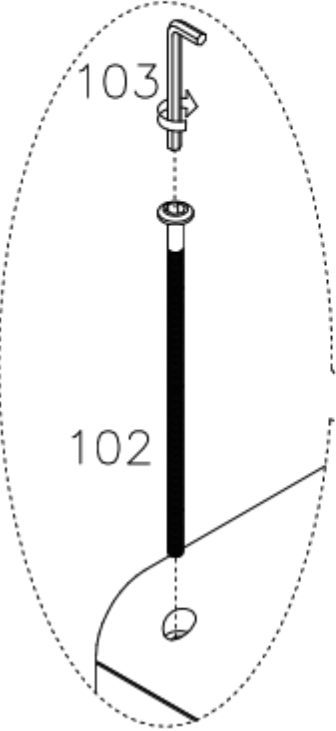


2



3

103x1	102x4
	
5X20X60mm	M8 x 410mm



4

