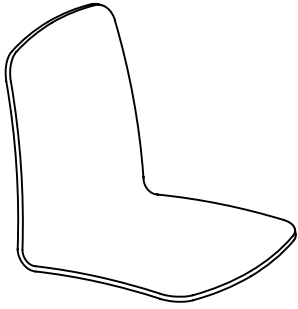


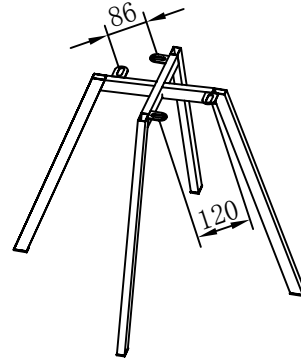
# ASSEMBLY INSTRUCTION ( 130-056 )

## PARTS LIST

1. - 1 Pc.

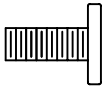


2. - 1 Pc.

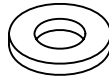


## FITTINGS

A. -4Pcs.



B. -4Pcs.



C. -1Pc.

