

ASSEMBLY INSTRUCTION

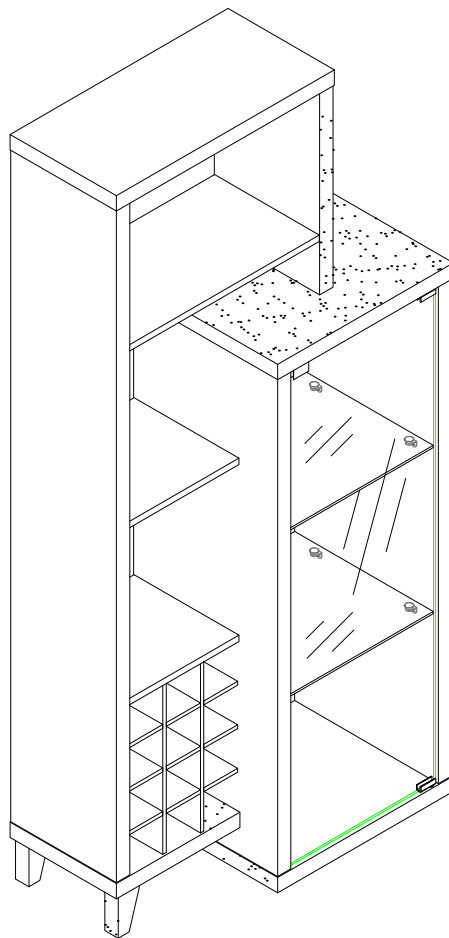
PLEASE READ BEFORE ASSEMBLING!

Tip #1: Make sure you've taken all the pieces and hardware out of its packaging before discarding the box.

Tip #2: Using page 2 and/or page 3 of instruction manual make sure all pieces and hardware are accounted for.

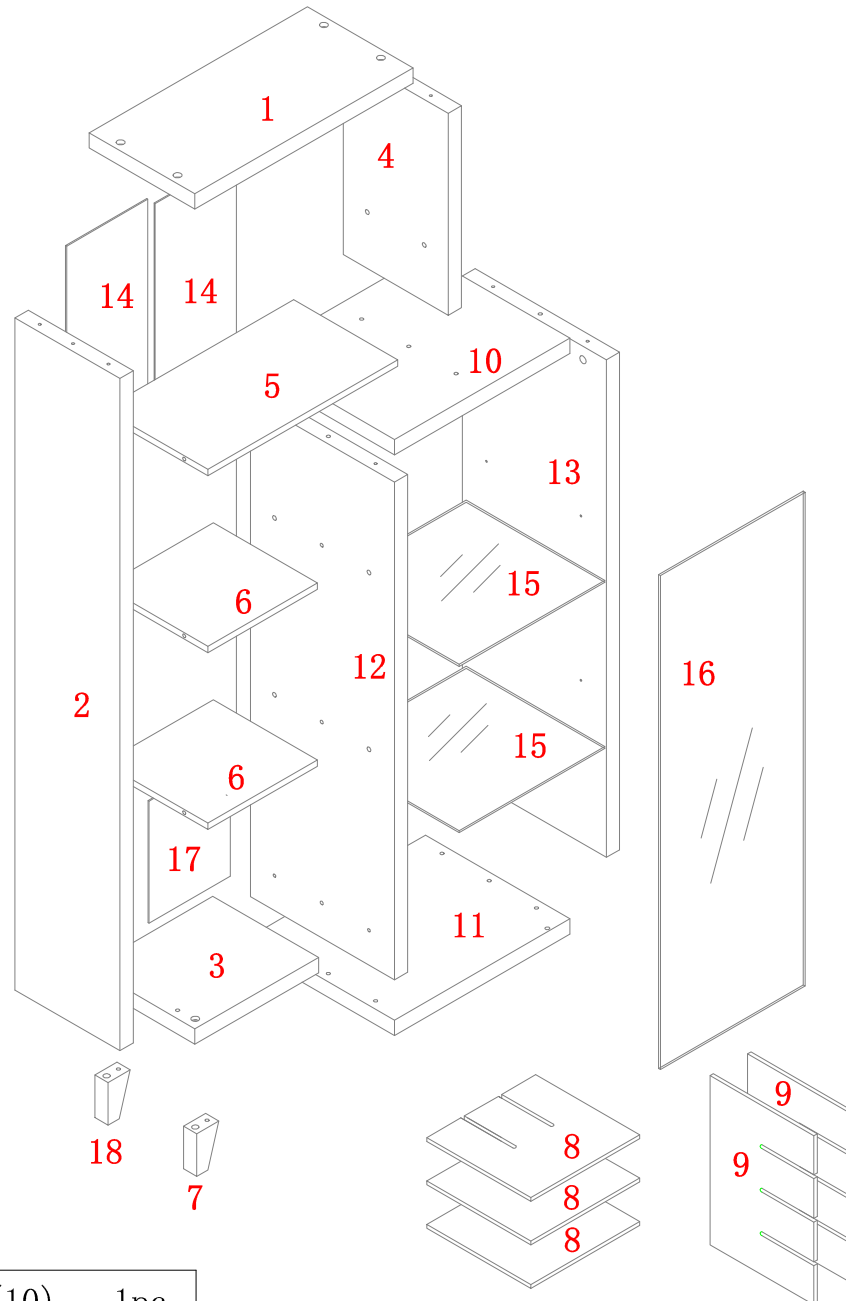
Tip #3: Read manual before assembling, it helps!

ITEM#: 151252



PARTS IDENTIFICATION








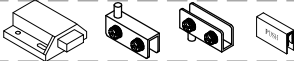



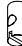



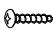
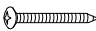
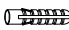



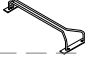

ITEM#: 151252



(1)	1pc	(10)	1pc
(2)	1pc	(11)	1pc
(3)	1pc	(12)	1pc
(4)	1pc	(13)	1pc
(5)	1pc	(14)	2pcs
(6)	2pcs	(15)	2pcs
(7)	1pc	(16)	1pc
(8)	3pcs	(17)	1pc
(9)	2pcs	(18)	1pc

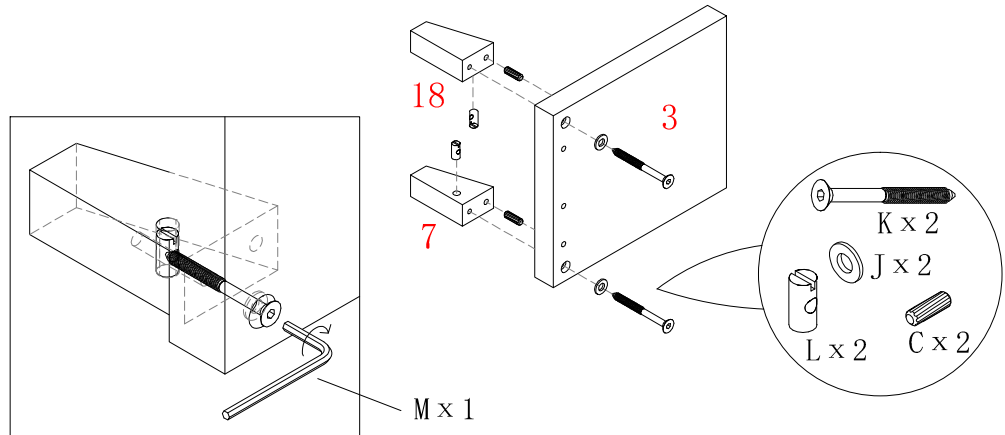
HARDWARE IDENTIFICATION

ITEM#: 151252

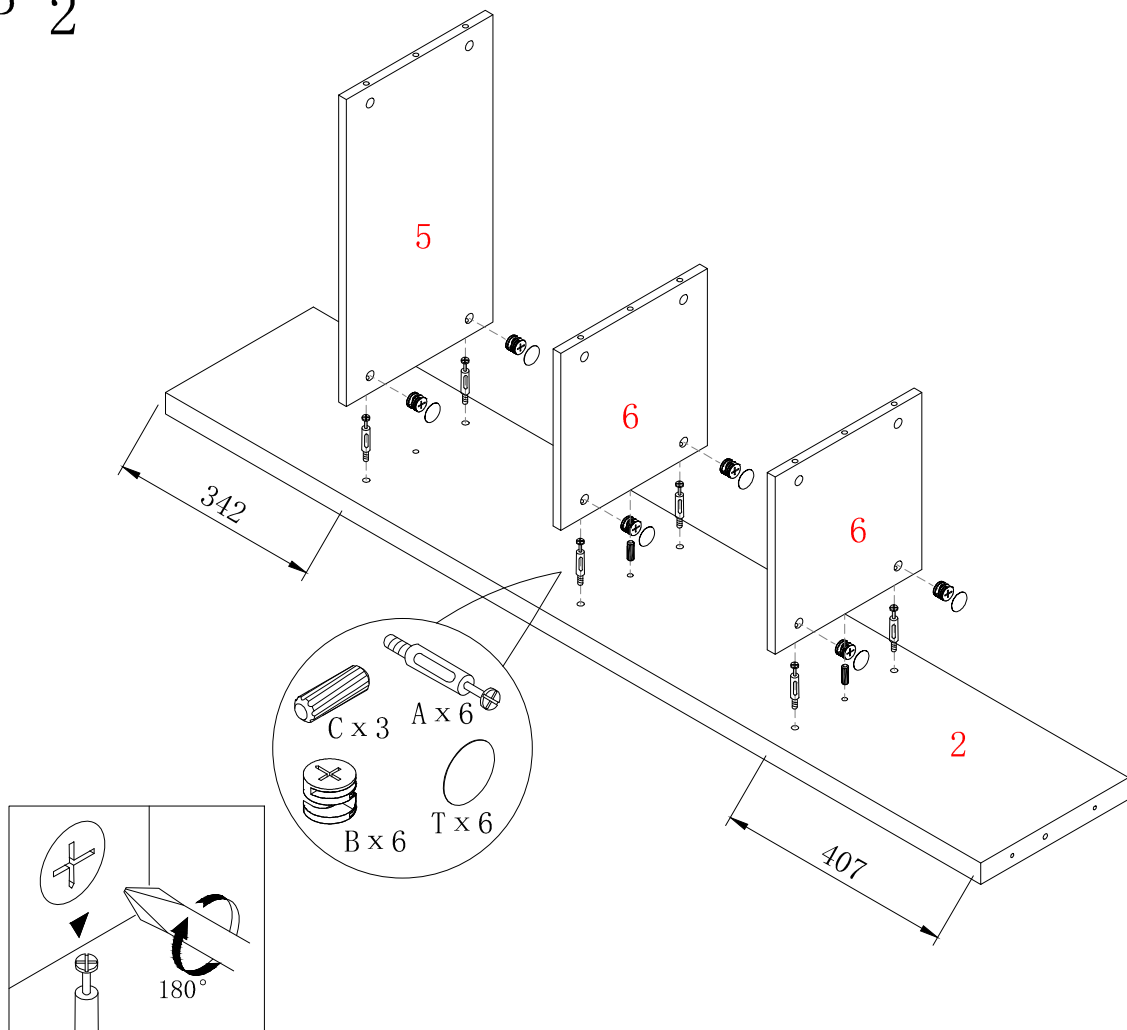
A		L29	16pcs
B		Ø15	16pcs
C		Ø8x25	17pcs
D		BK	8pcs
E		Ø4x16 BK	8pcs
F		Ø4x16	9pcs
G		Ø3x16 BK	4pcs
H		BK	1pc
I		Ø7x58	12pcs
J		Ø8xØ16x2	16pcs
K		M6x65	4pcs
L		Ø10x15	4pcs
M		M4	1pc
N		197×3×1mm	1pc
O		12×12×1mm	2pcs
P		Ø4X25	1pc
Q		Ø5X40	1pc
W		Ø8X40	1pc
R			30pcs
S		Ø16	6pcs
T		Ø20	18pcs
U		L250mm	3pcs
V		Glue: For securing please apply to wood dowel first before inserting into panel	1pc

ASSEMBLY INSTRUCTION

ITEM#: 151252

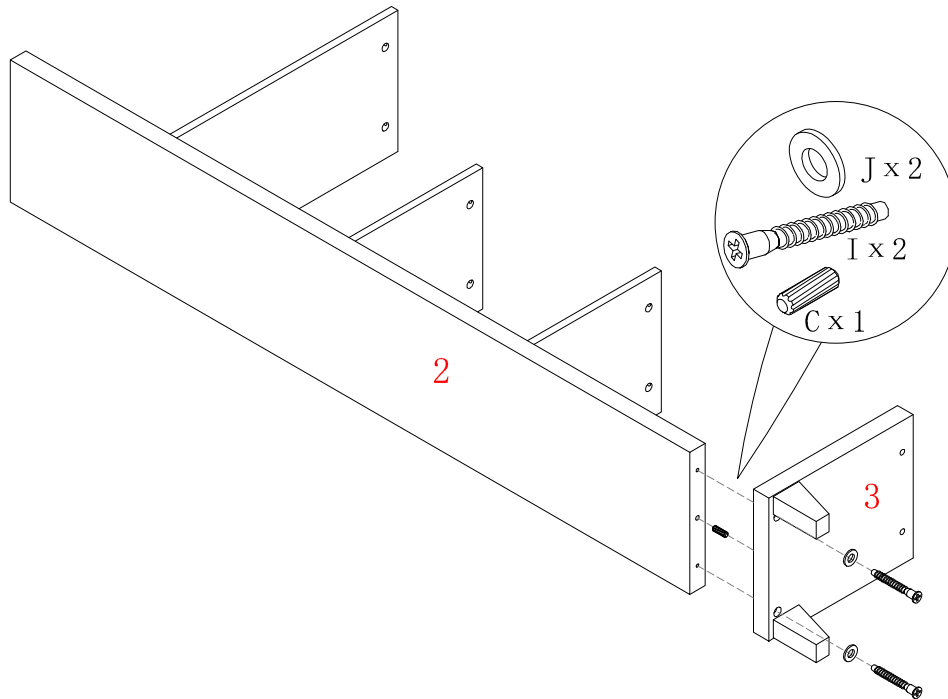


STEP 2



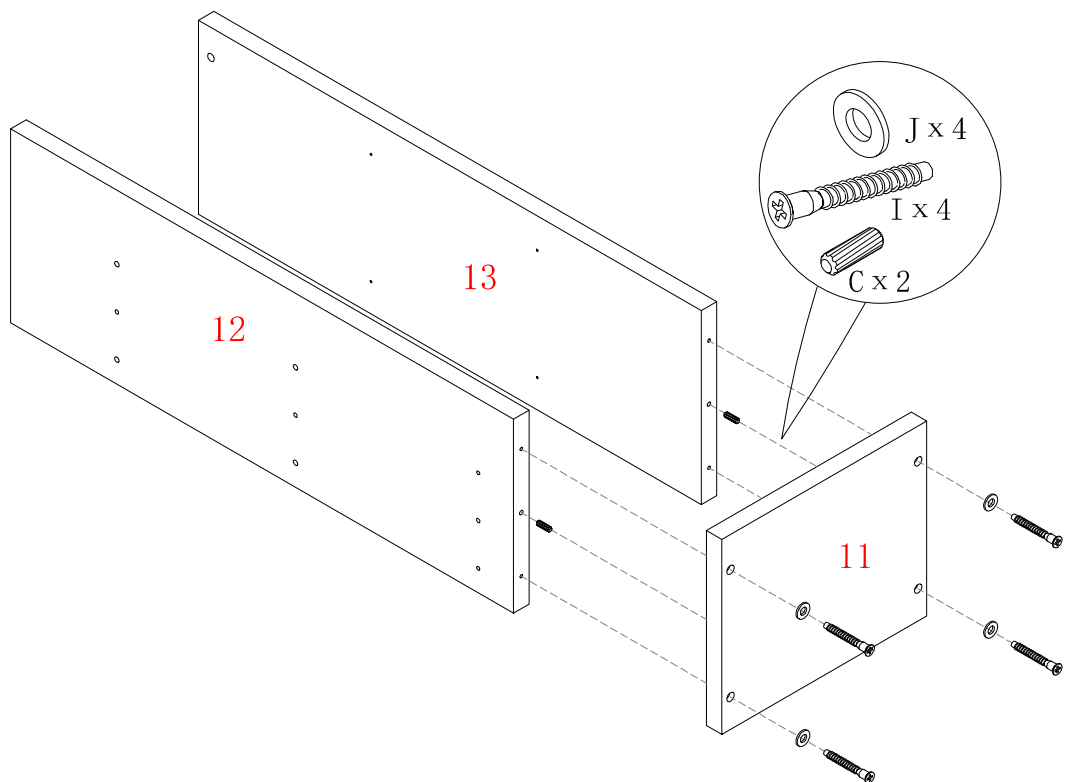
ASSEMBLY INSTRUCTION

ITEM#: 151252



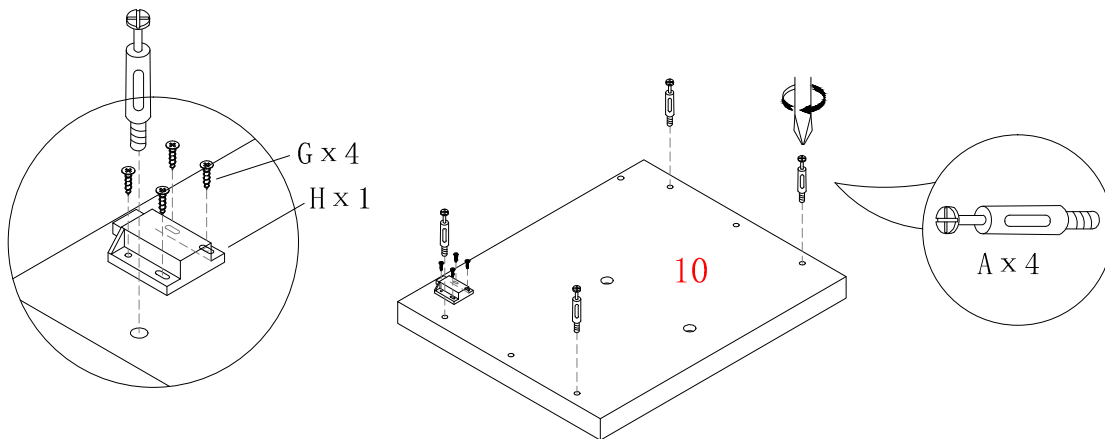
STEP 3

STEP 4



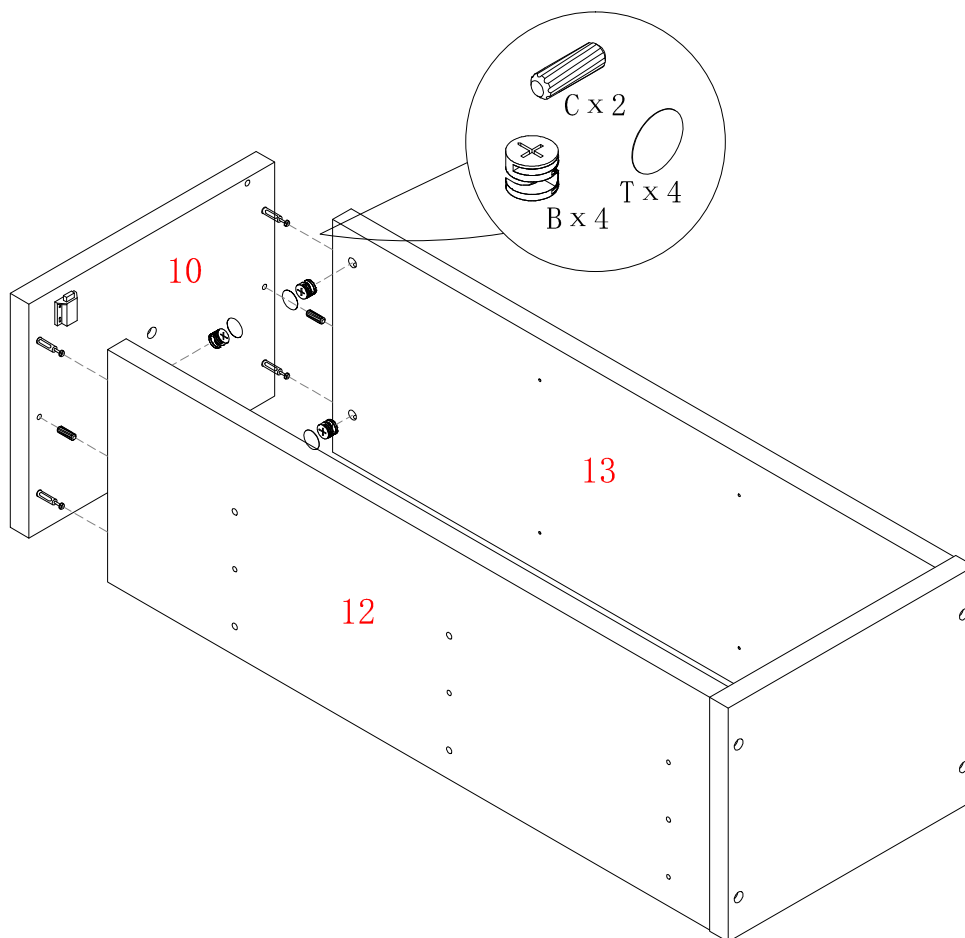
ASSEMBLY INSTRUCTION

ITEM#: 151252



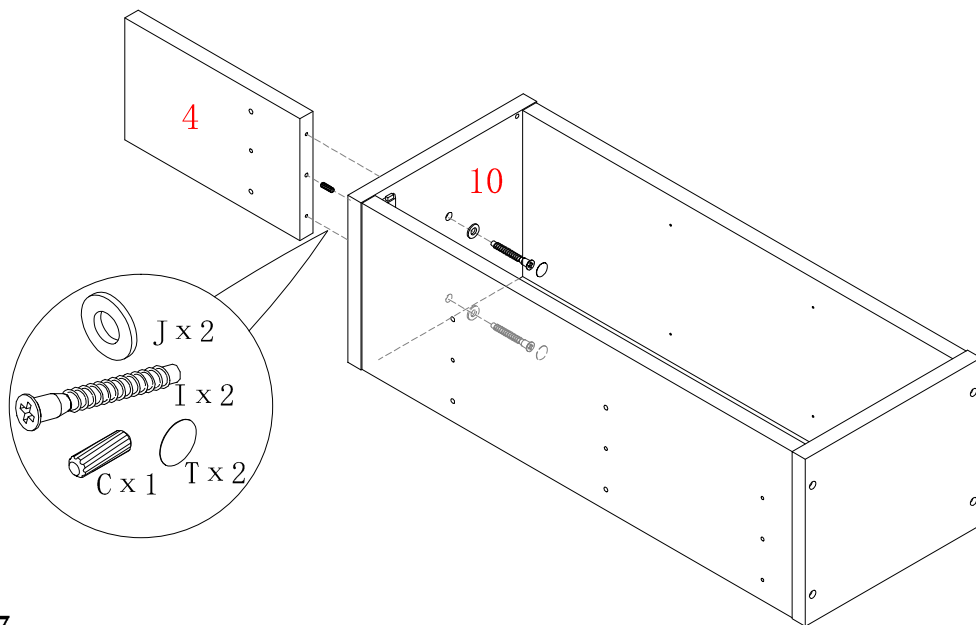
STEP 5

STEP 6



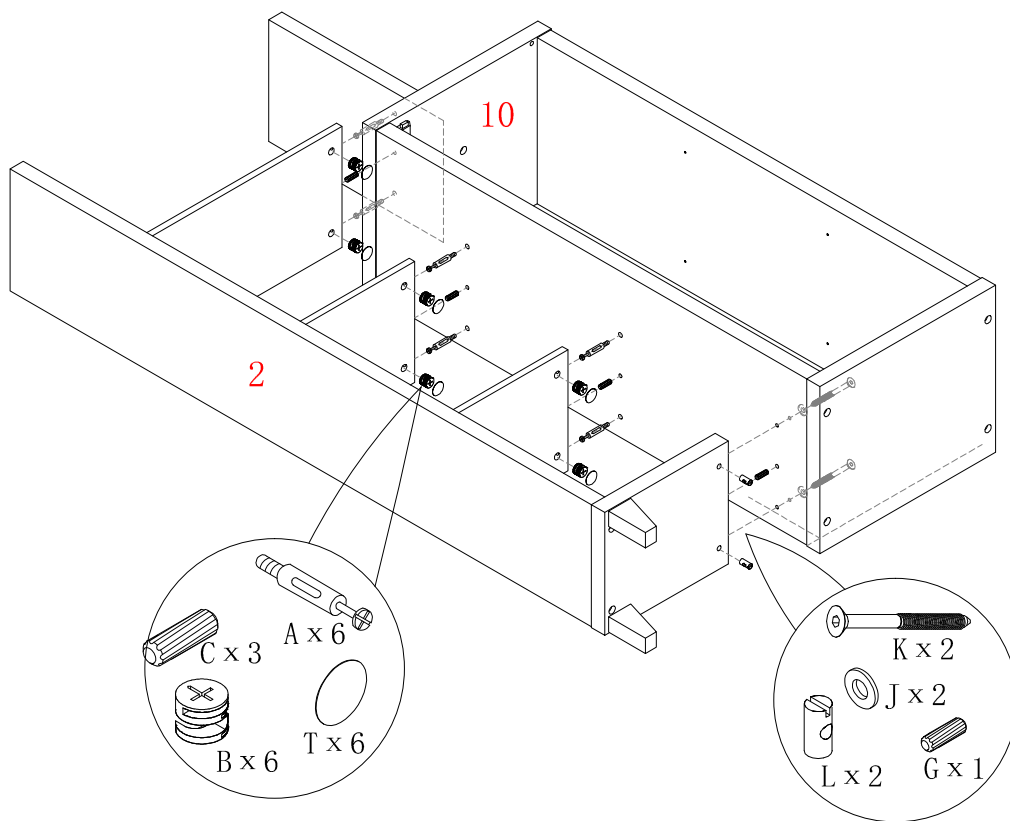
ASSEMBLY INSTRUCTION

ITEM#: 151252



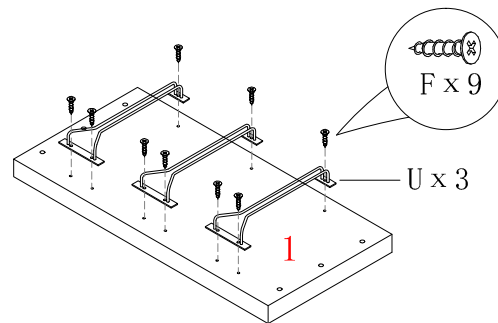
STEP 7

STEP 8



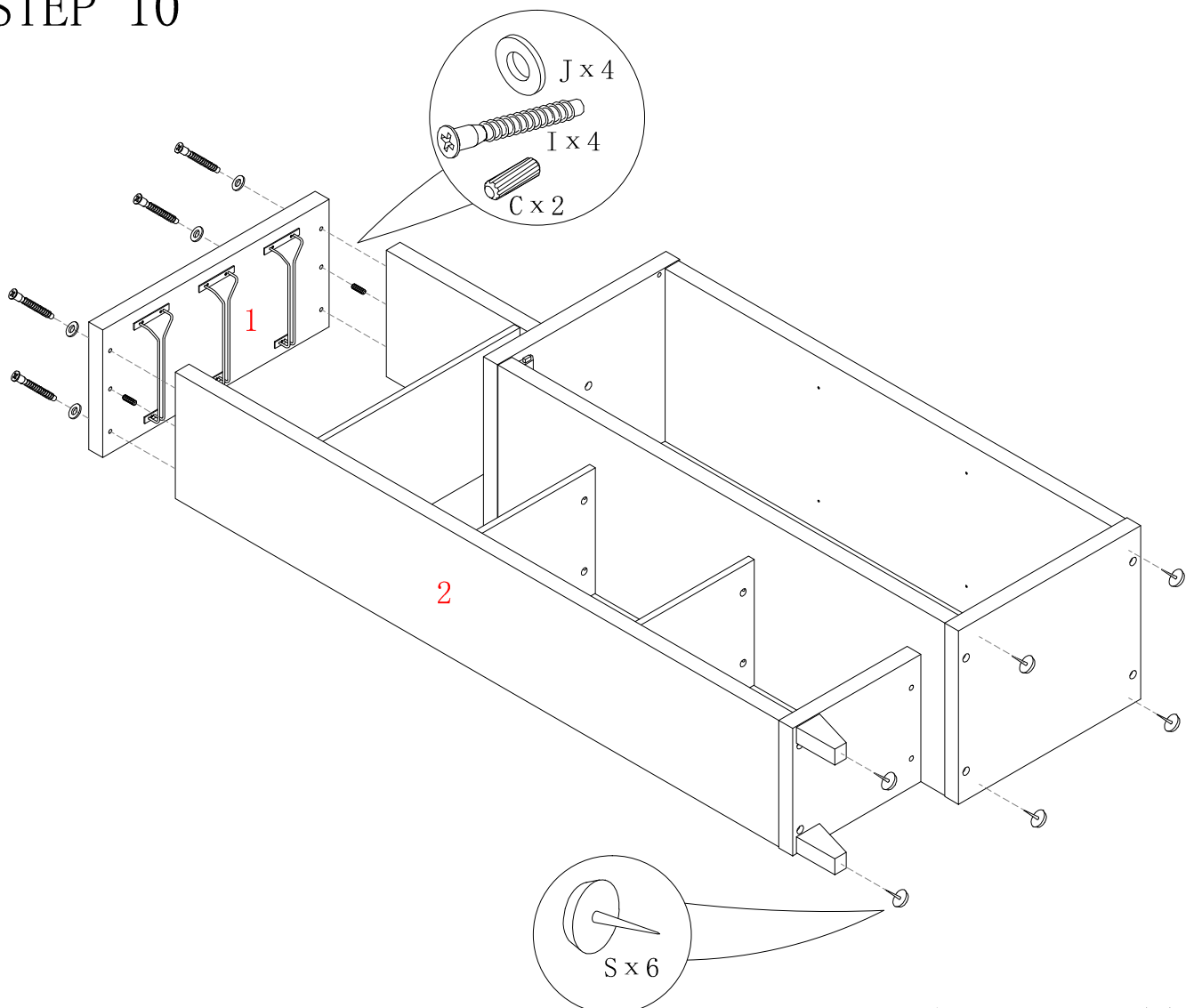
ASSEMBLY INSTRUCTION

ITEM#: 151252



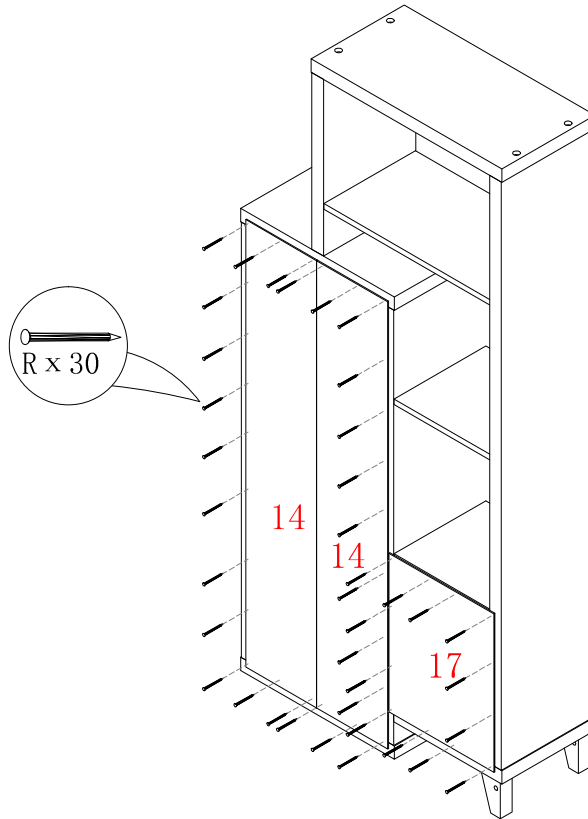
STEP 9

STEP 10



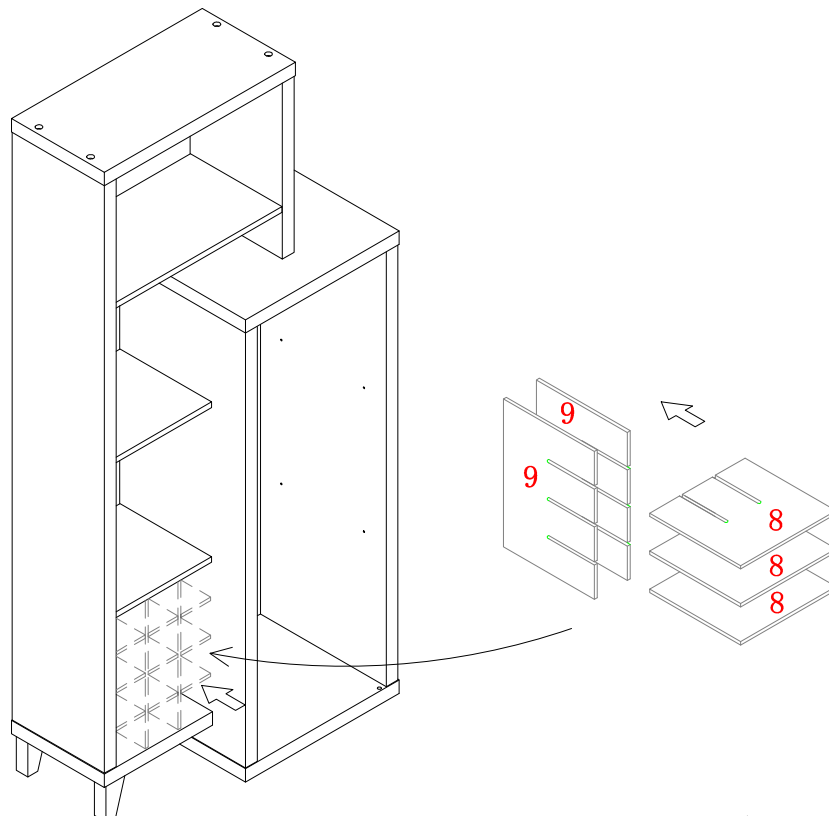
ASSEMBLY INSTRUCTION

ITEM#: 151252



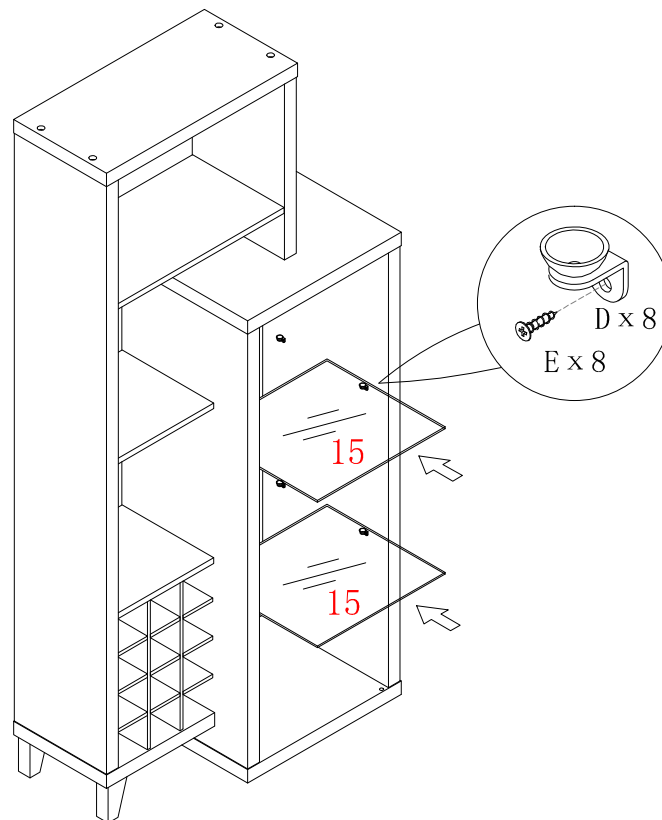
STEP 11

STEP 12



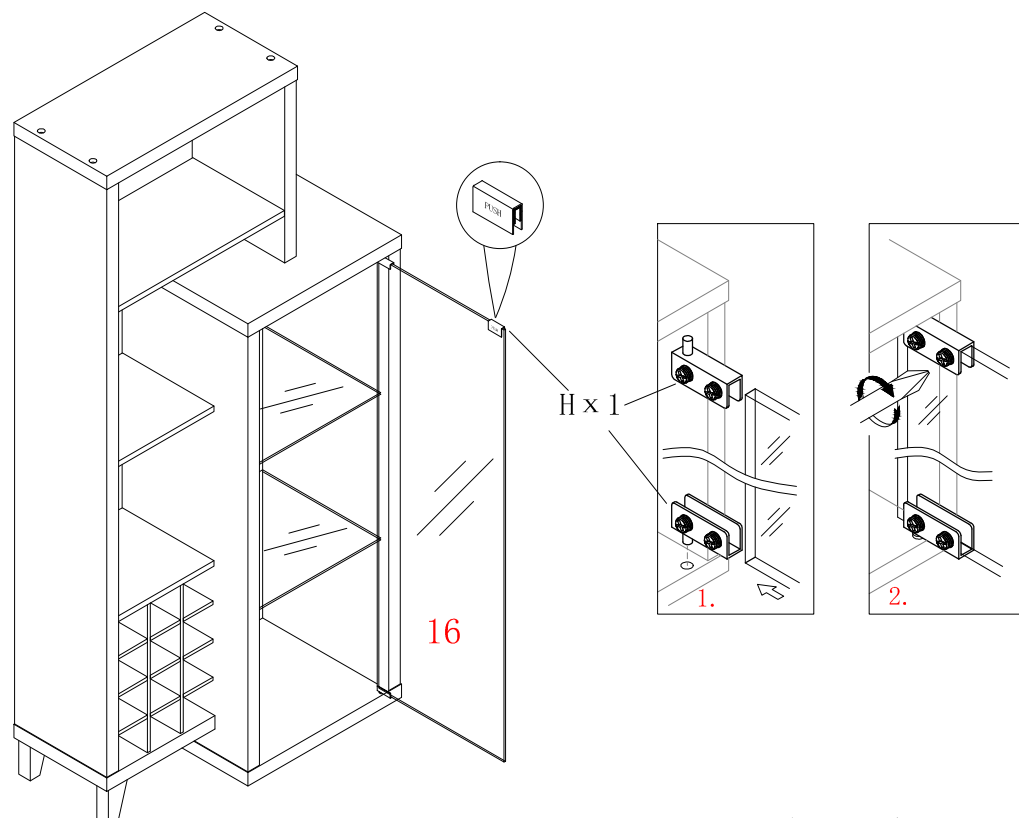
ASSEMBLY INSTRUCTION

ITEM#: 151252



STEP 13

STEP 14



PAGE:10 OF 11

ASSEMBLY INSTRUCTION

ITEM#: 151252

STEP 15

