

# ASSEMBLY INSTRUCTION

---

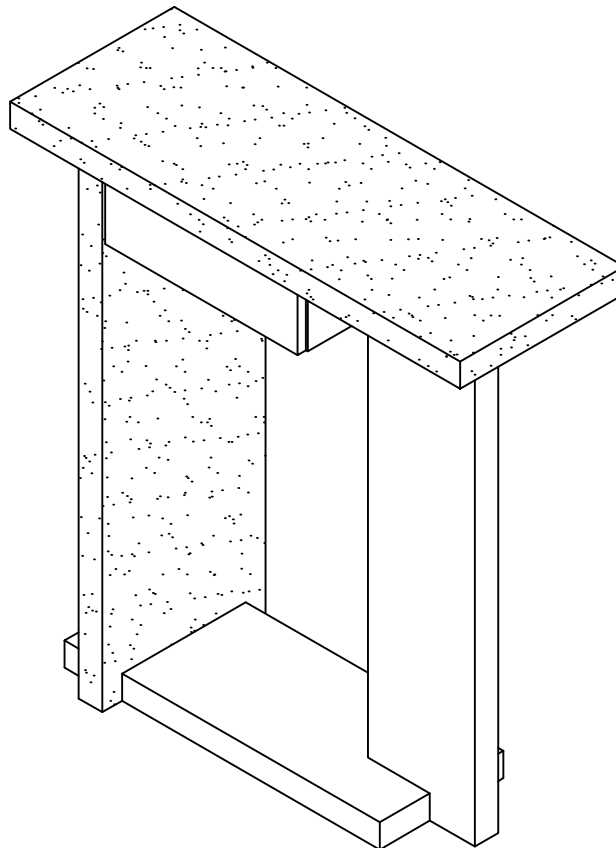
## **PLEASE READ BEFORE ASSEMBLING!**

Tip #1: Make sure you've taken all the pieces and hardware out of its packaging before discarding the box.

Tip #2: Using page 2 and/or page 3 of instruction manual make sure all pieces and hardware are accounted for.

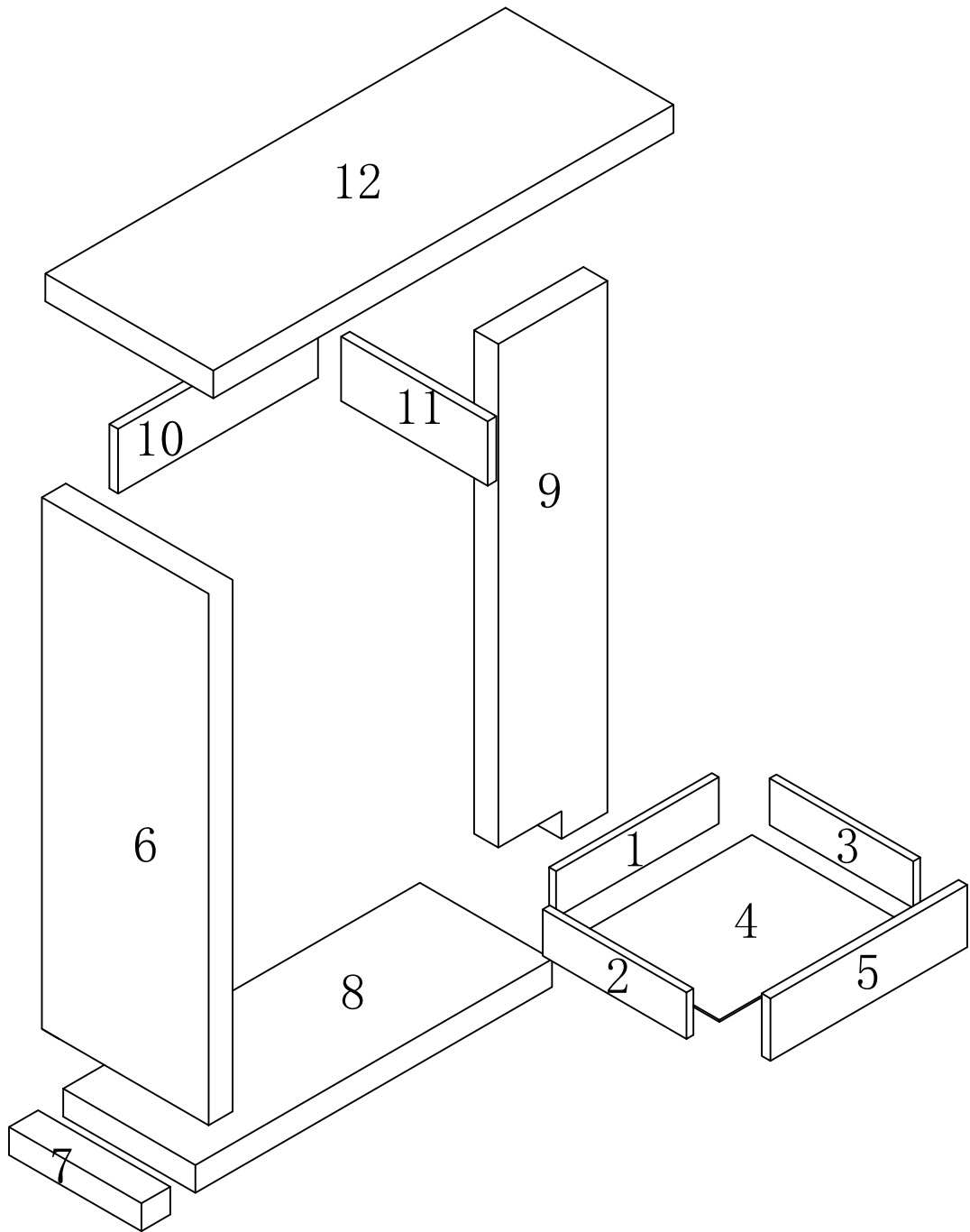
Tip #3: Read manual before assembling, it helps!

ITEM#: 14881



# PARTS IDENTIFICATION

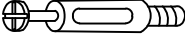


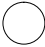









ITEM#: 14881



(1) 1pc	(7) 1pc
(2) 1pc	(8) 1pc
(3) 1pc	(9) 1pc
(4) 1pc	(10) 1pc
(5) 1pc	(11) 1pc
(6) 1pc	(12) 1pc

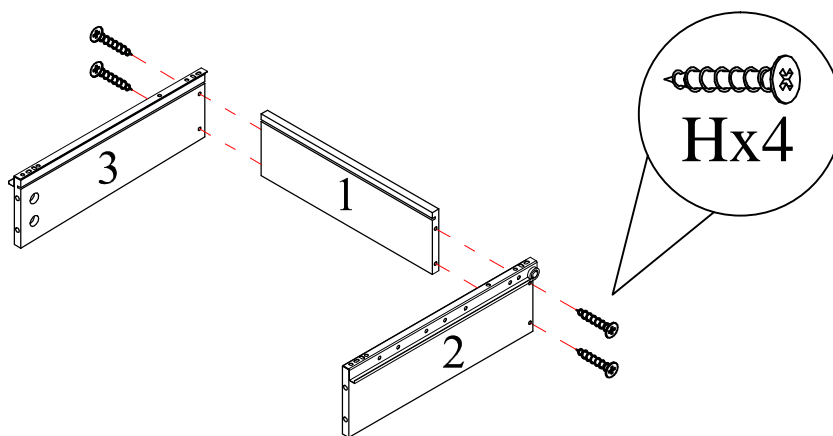
# HARDWARE IDENTIFICATION

ITEM#: 14881

A		L=29mm	14PCS
B		Ø15mm	14PCS
C		Ø8×25mm	9PCS
D		Ø20mm	2PCS
E		L=20mm	4PCS
F		Ø12mm	4PCS
G		Ø7×58mm	2PCS
H		Ø4×30mm	4PCS
I		Ø4×25mm	1PC
J		Ø5×40mm	1PC
K		Ø8×40mm	1PC
L		197×5×1mm	1PC
M		Ø16	4PCS

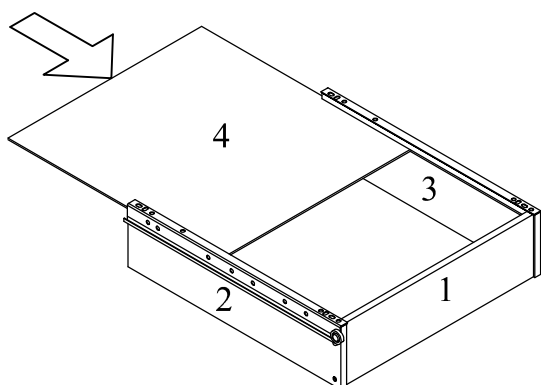
# ASSEMBLY INSTRUCTION

ITEM#: 14881

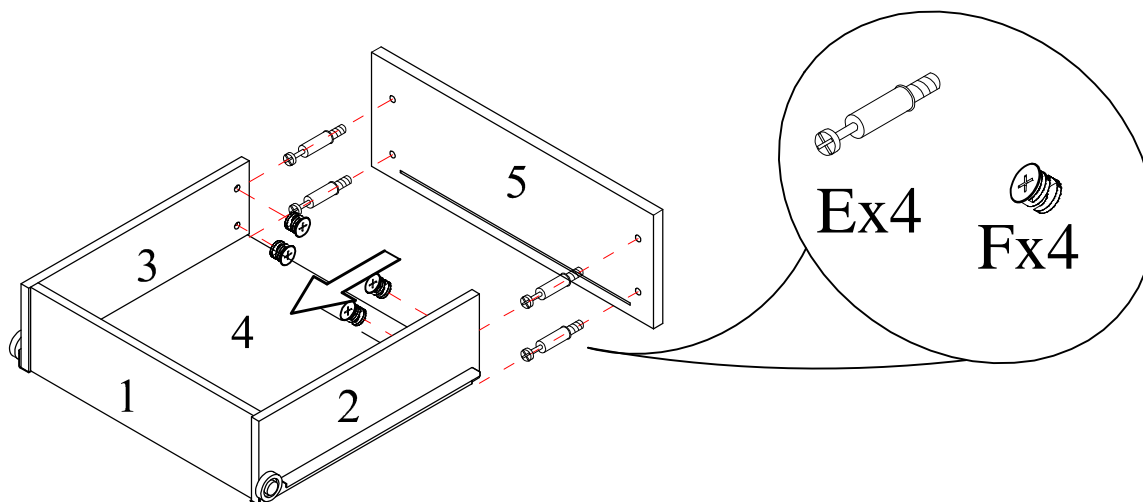


STEP 1

STEP 2

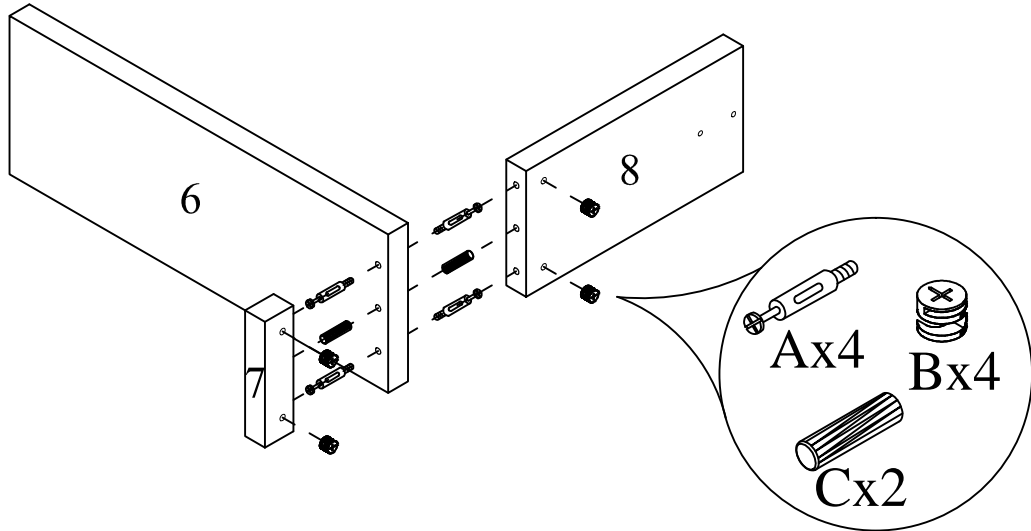


STEP 3



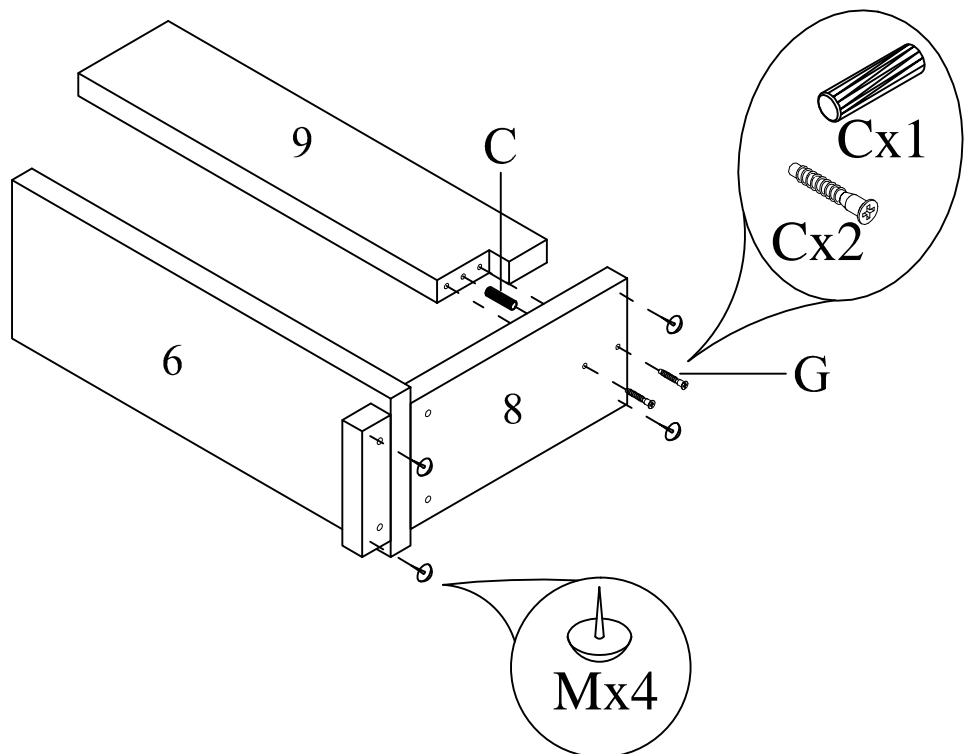
# ASSEMBLY INSTRUCTION

ITEM#: 14881



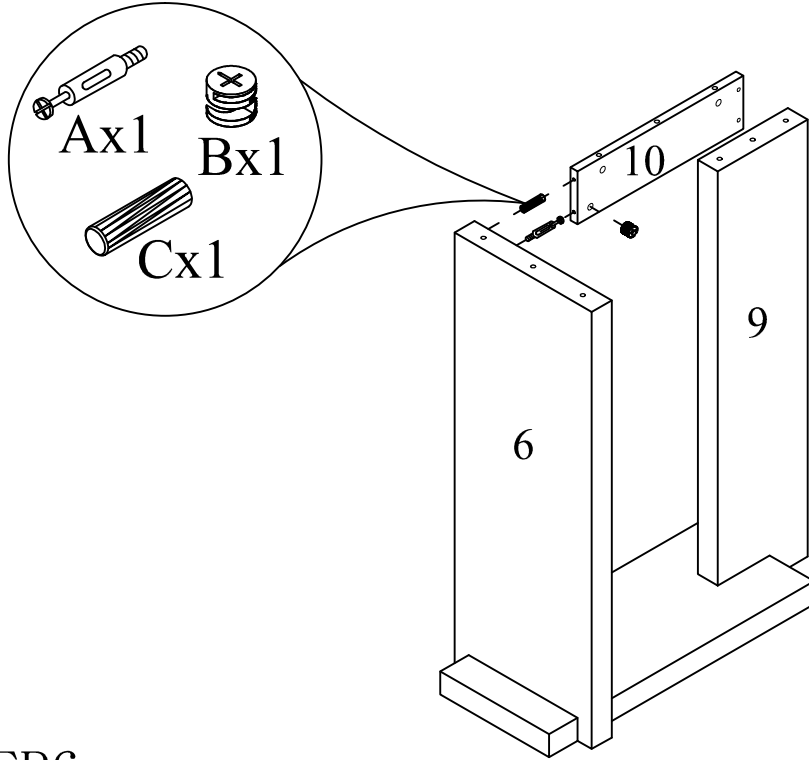
STEP4

STEP5



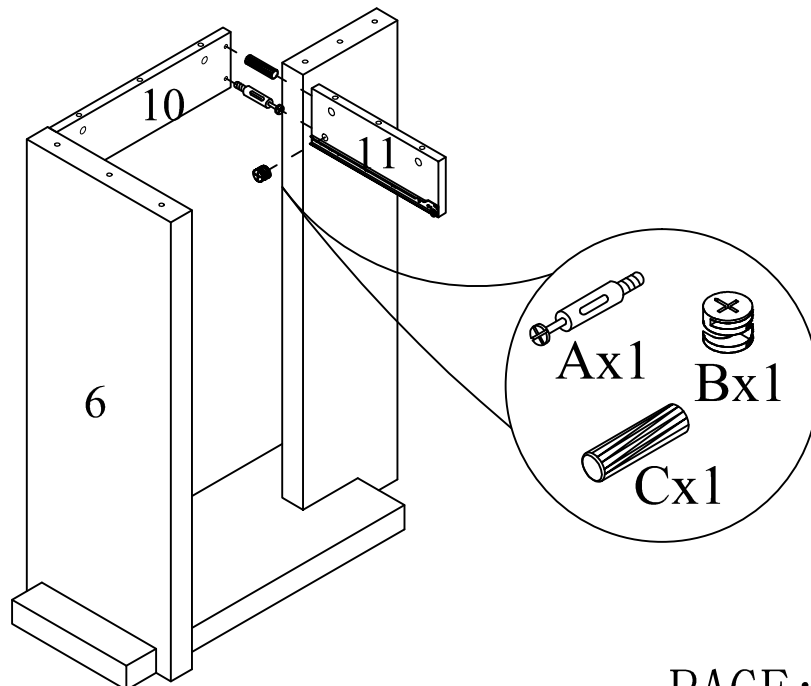
# ASSEMBLY INSTRUCTION

ITEM#: 14881



STEP6

STEP7

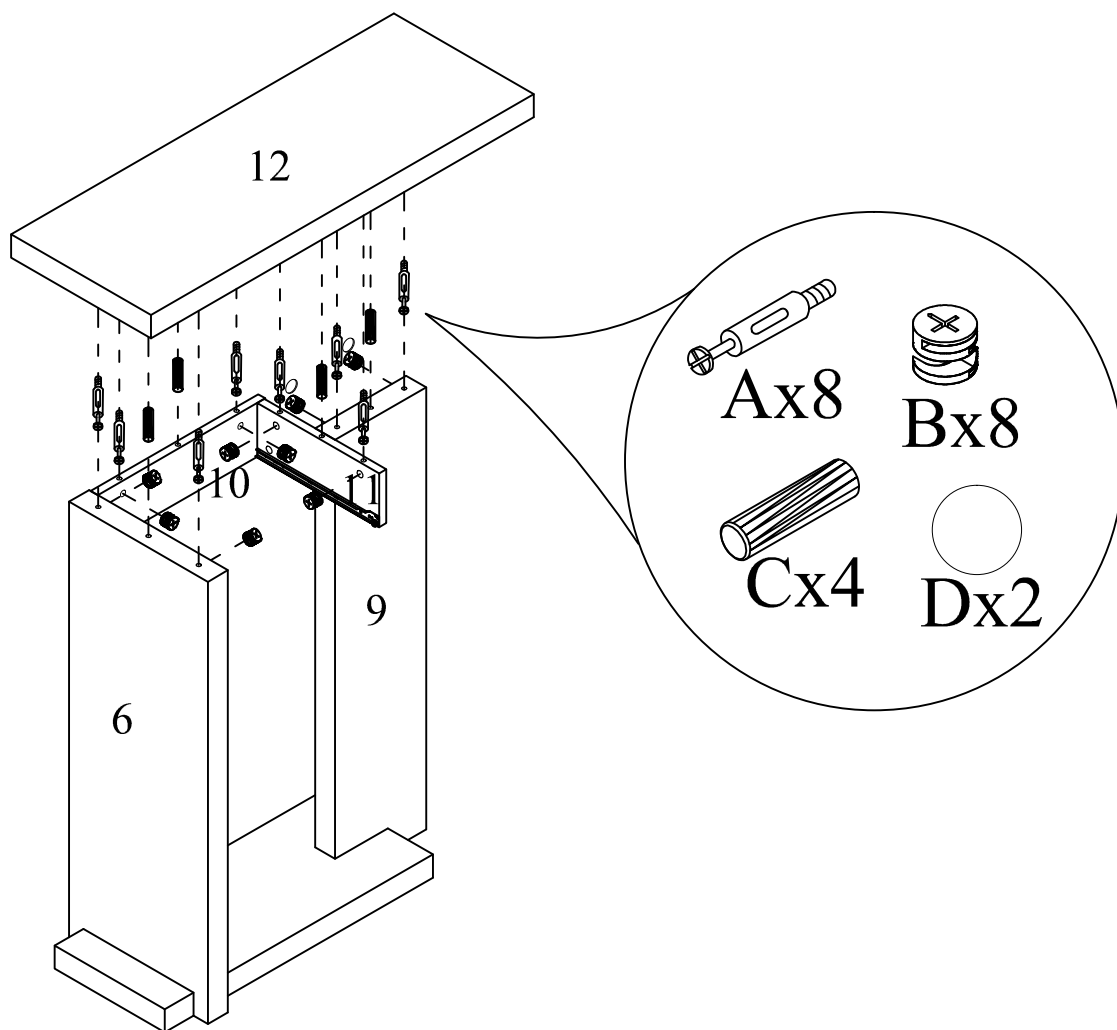


PAGE:6 OF 7

# ASSEMBLY INSTRUCTION

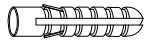
ITEM#: 14881

STEP8

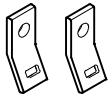


# ANTI-TIPPING STRAP INSTRUCTION

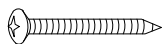
## HARDWARE (INCLUDED) :



DRYWALL ANCHOR  $\phi 8 \times 40$  X 1PC



METAL BRACKETS  $12 \times 12 \times 1$  X 2PCS



DRYWALL SCREW  $\phi 5 \times 40$  X 1PC

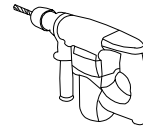


STRAP  $197 \times 5 \times 1$  X 1PC



FLATHEAD SCREW  $\phi 4 \times 25$  X 1PC

## TOOLS NEEDED ( NOT INCLUDED



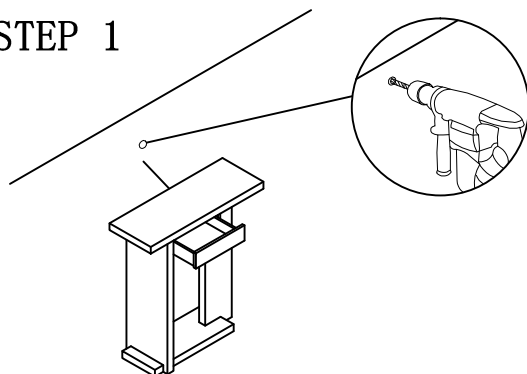
DRILL & DRILL BIT



LIGHT HAMMER

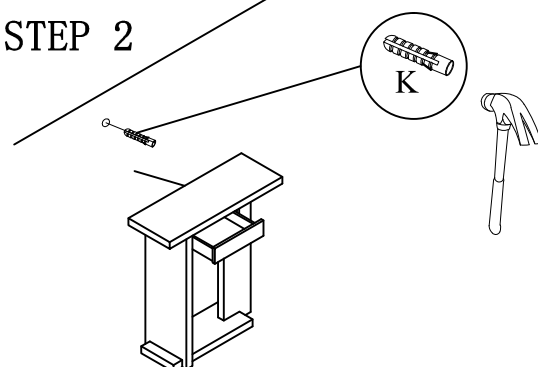
Note: Hardware included only compatible with standard drywalls.

### STEP 1



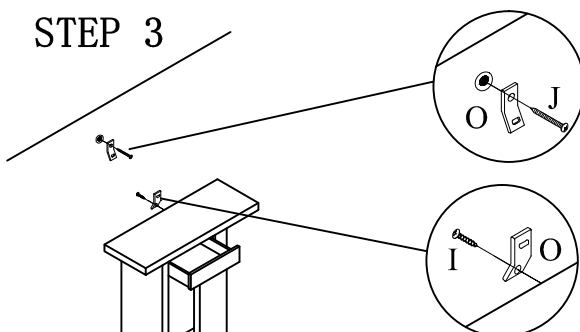
1. Find spot on wall 1" below top of item.
2. Using a drill bit slightly thinner than anchor, drill hole into drywall.

### STEP 2



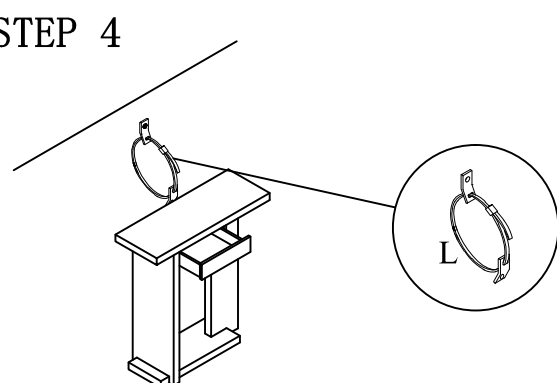
1. Use a light hammer to tap anchor into hole.
2. Anchor should fit snugly. If hole is too small, drill again to increase hole size. Do not force anchor into wall.

### STEP 3



1. Insert drywall screw into metal bracket and into drywall anchor.
2. Insert flathead screw into second metal bracket and into back of item along top edge.

### STEP 4



1. Insert strap thru bracket attached to wall, then thru bracket on item, and into head of strap.
2. Pull lightly til strap stops. Assembly is complete.