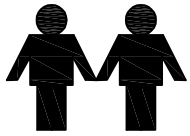


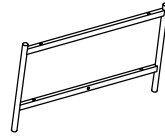
JC22067-FGC ASSEMBLY INSTRUCTION



A × 1pc



B × 1pc



C × 2pcs



D × 1pc

+Spare×2

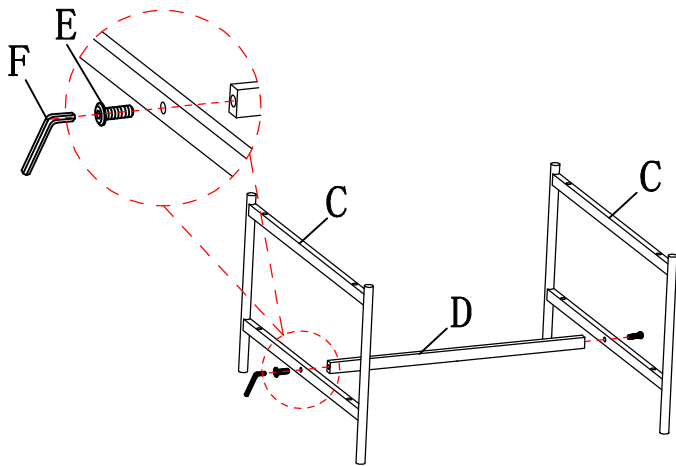


E × 12pcs
M6*30mm

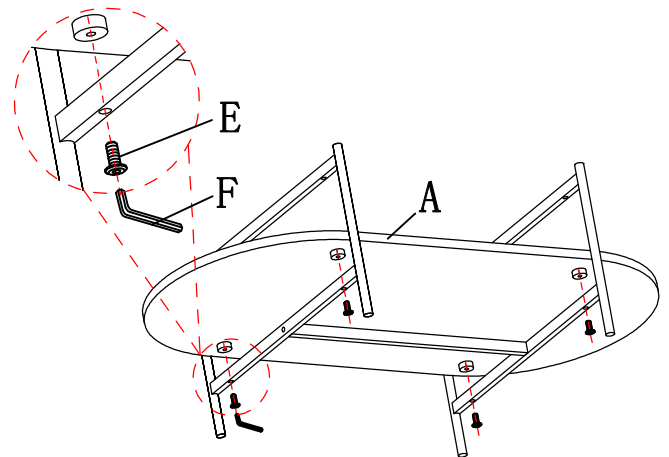


F × 1pc
4#

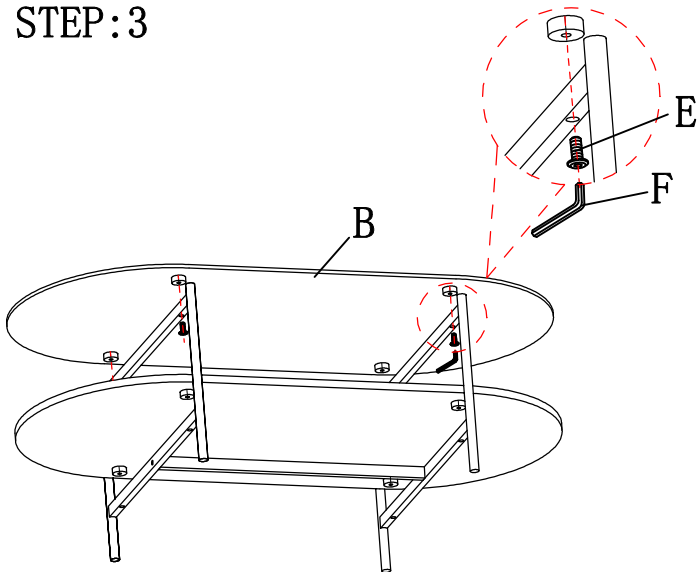
STEP:1



STEP:2



STEP:3



STEP:4

