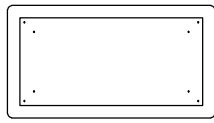
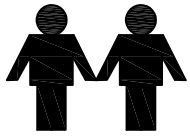


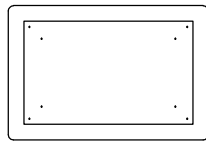
JC22057A/B

ASSEMBLY

INSTRUCTION



A ×1pc



B ×1pc



C ×4pcs



D ×4pcs

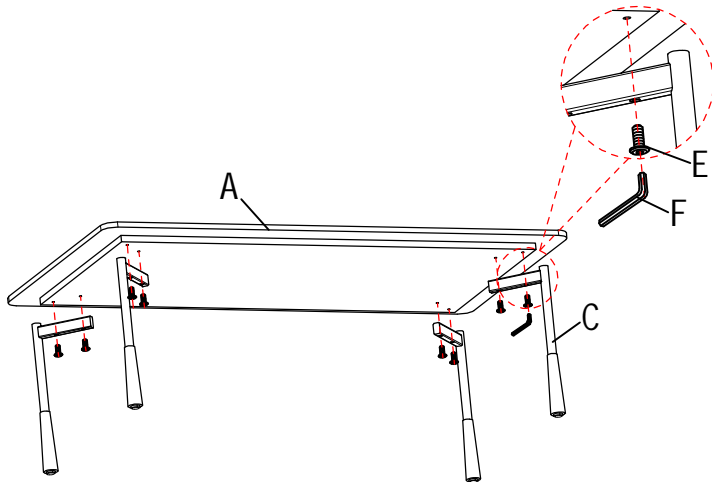


E ×16pcs
M8*40mm

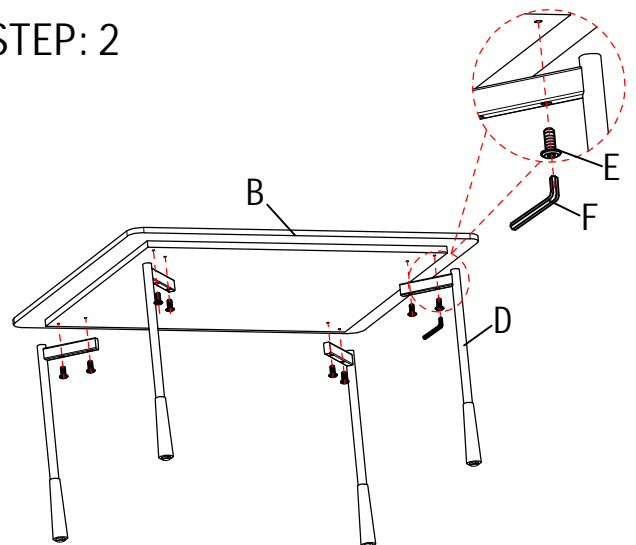


F ×1pc
5#

STEP: 1



STEP: 2



STEP: 3

