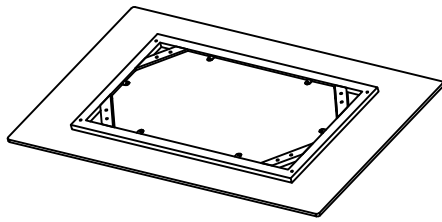


# JA7374-FMC ASSEMBLY INSTRUCTION



A × 1pc



B × 4pcs

+Spare × 2



C × 14pcs  
M8\*16mm



D × 1pc  
6#

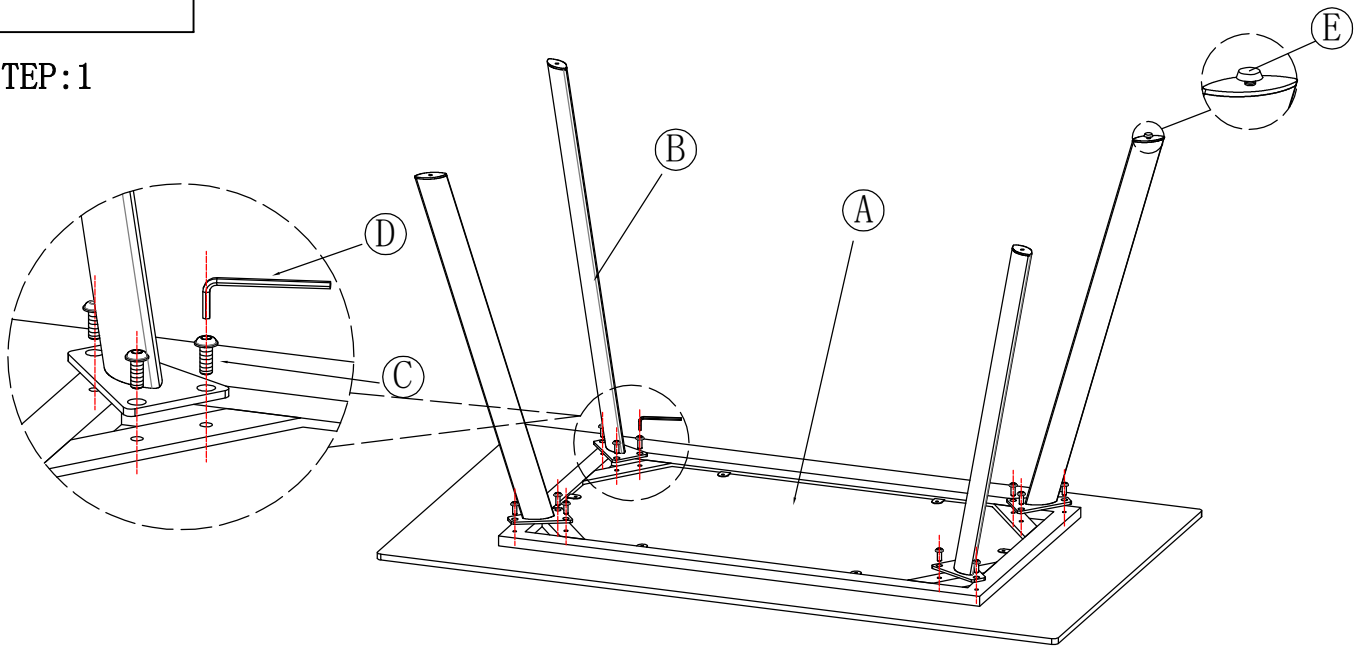
+Spare × 1



E × 1PC



## STEP:1



## STEP:2

