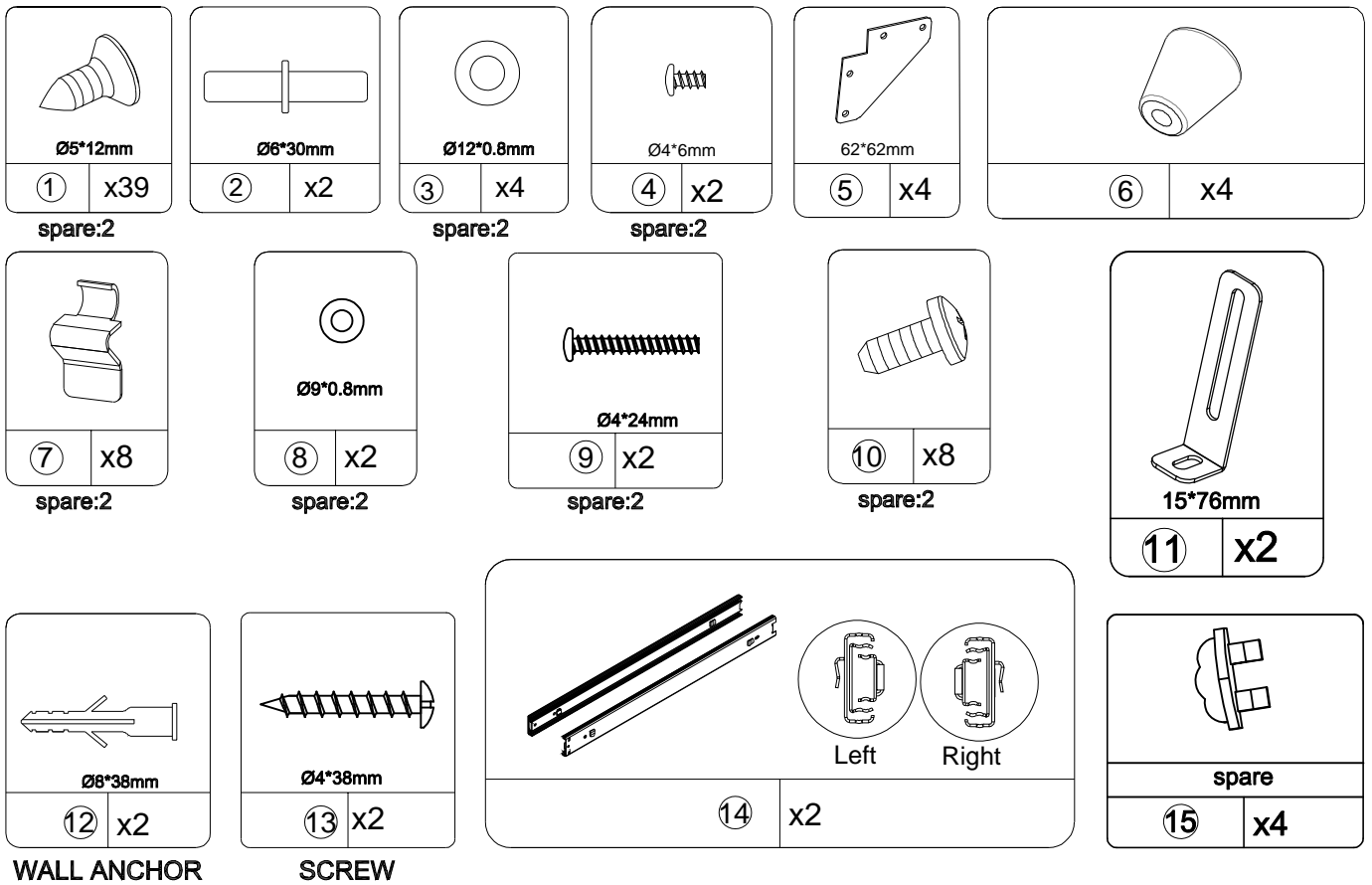


Hardware	Ctn No.	1
----------	---------	---

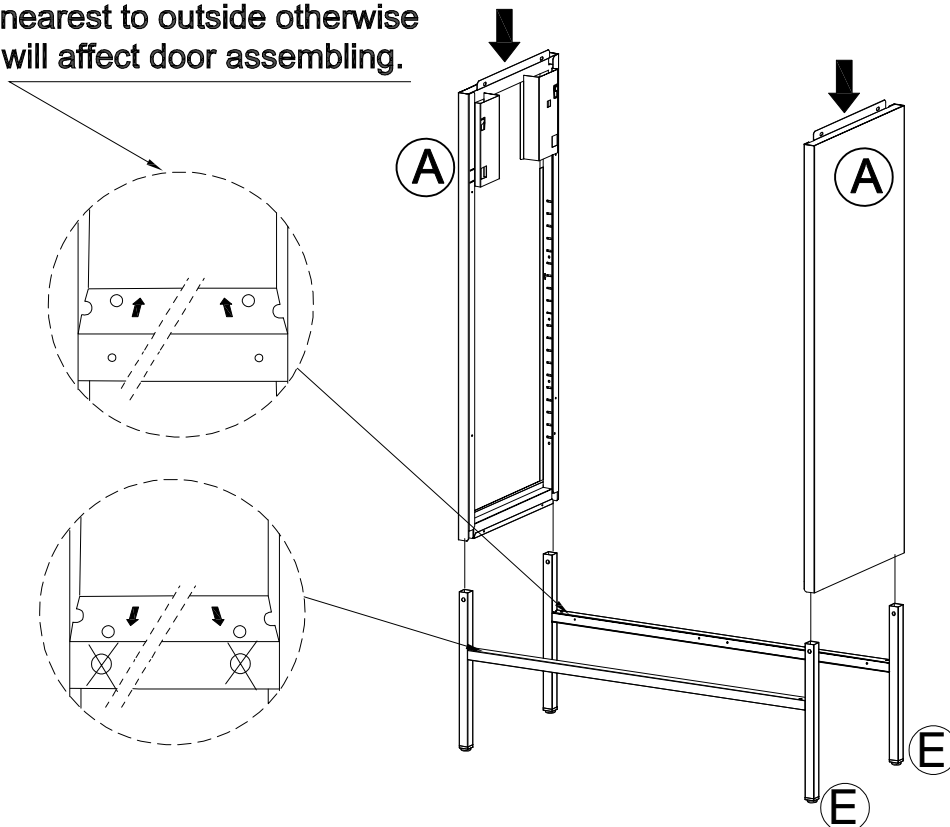
No.	Size	Qty
A	918x350x24mm	2
B1	889.5x385x23mm	1
B2	889.5x387x23mm	1
C1	696x373.5x20mm	1
C2	696x373.5x20mm	1
D	802x352x38mm	1
E	797x320x20mm	2

No.	Size	Qty
F	796x301x25mm	1
G	796x300x20mm	2
H	303x158x22mm	1
I	772x38x24mm	1
J	742x20x20mm	1
K	373.5x146.5x20mm	2
L	320x326x115mm	2
M	325.5x115x15mm	2

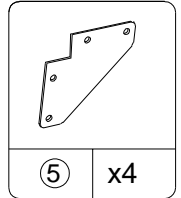
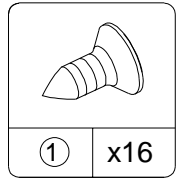
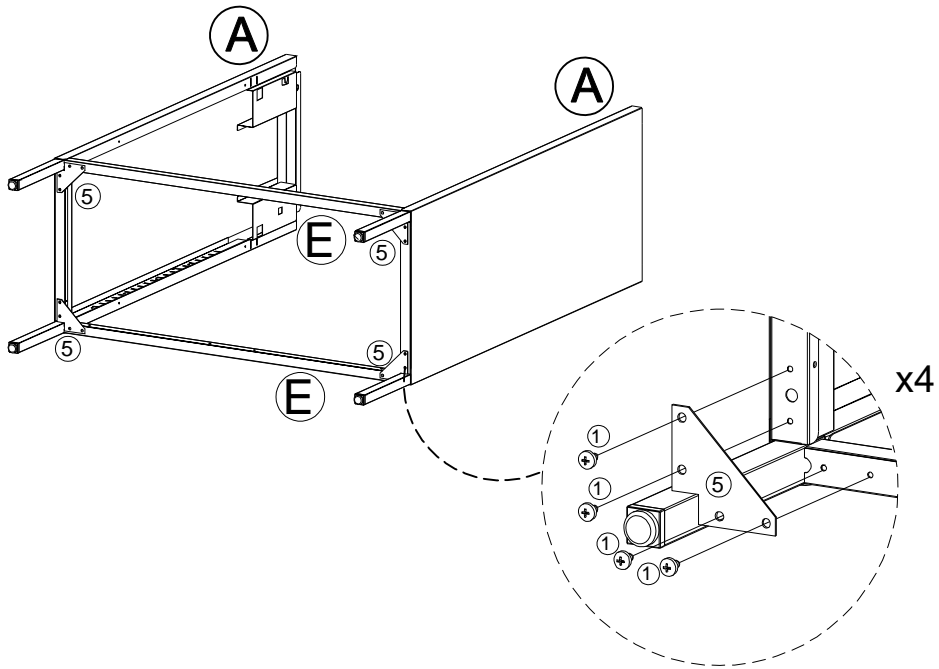


(1) - Attach (A) to (E) as below shown.

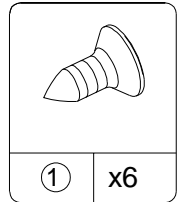
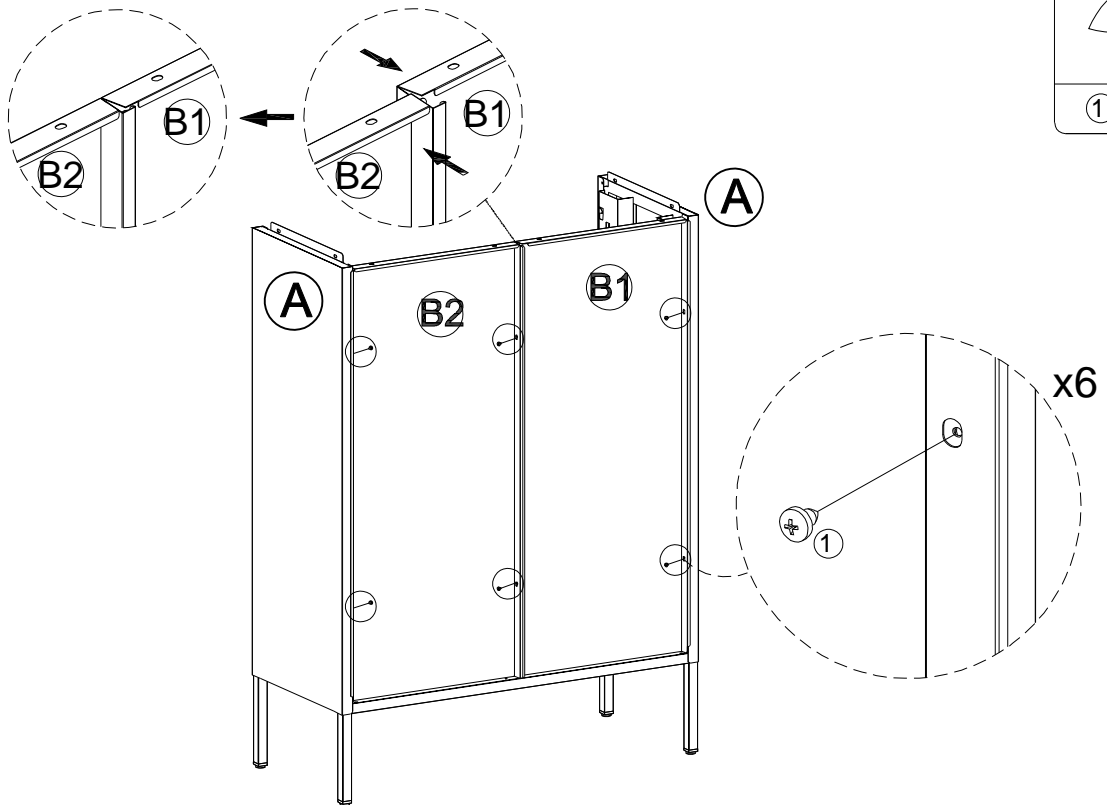
Make sure the holes are nearest to outside otherwise will affect door assembling.



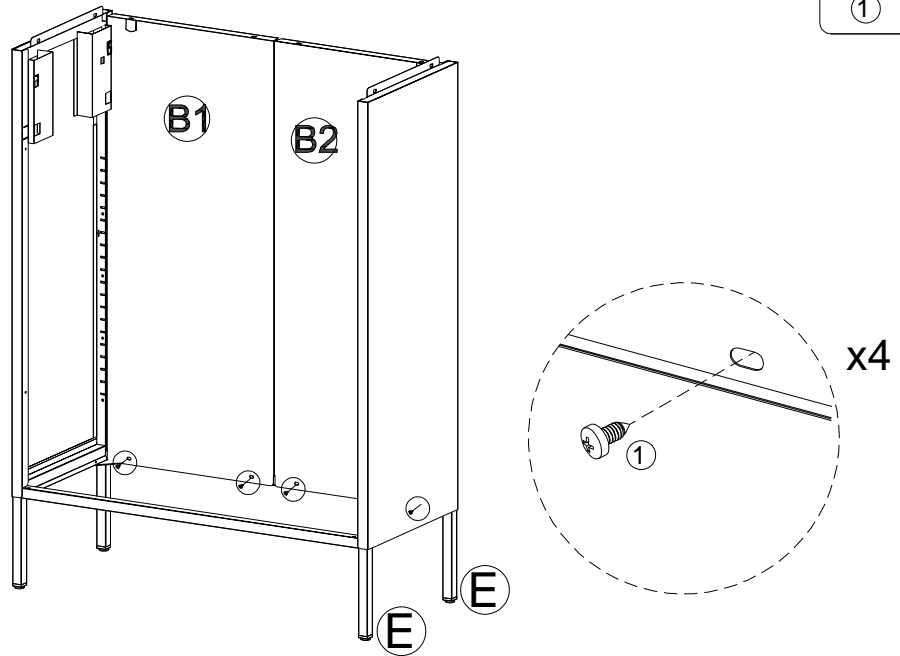
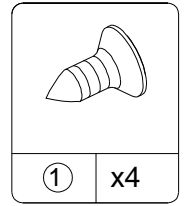
(2) - Attach ⑤ to (A) & (E) as below shown.



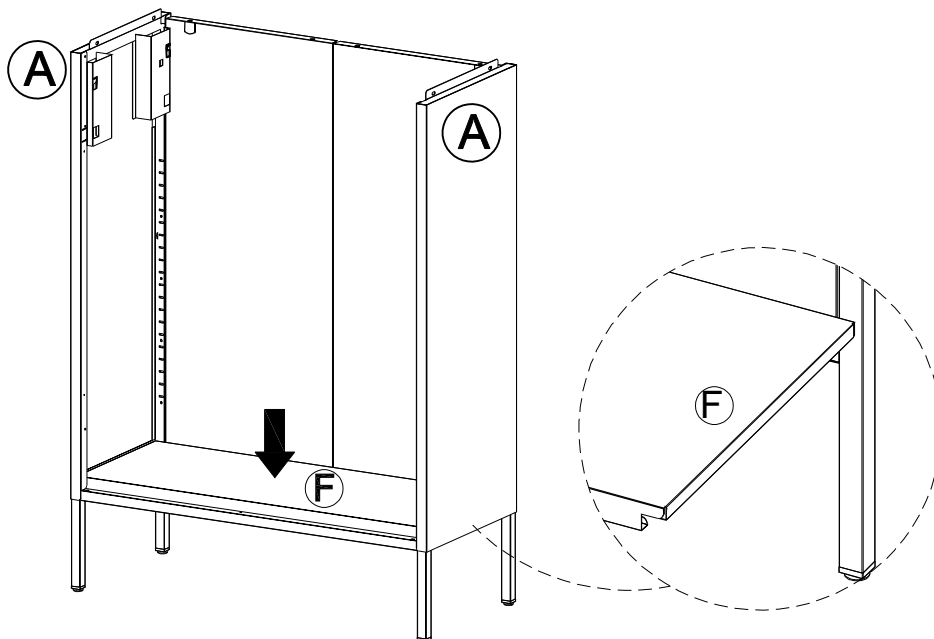
(3) - Attach (B1) & (B2) to (A) as below shown.



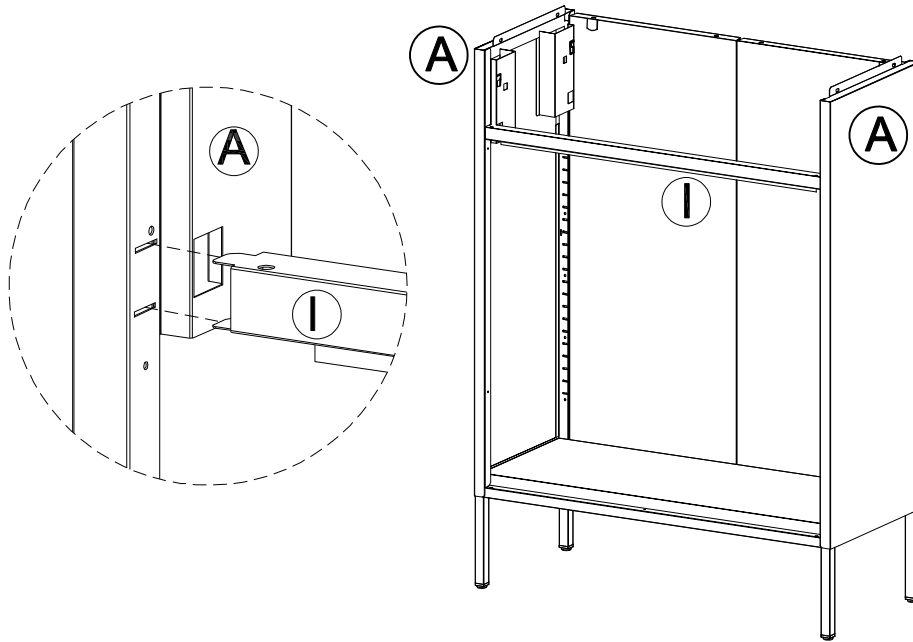
(4) - Attach (B1) & (B2) to (E) as below shown.



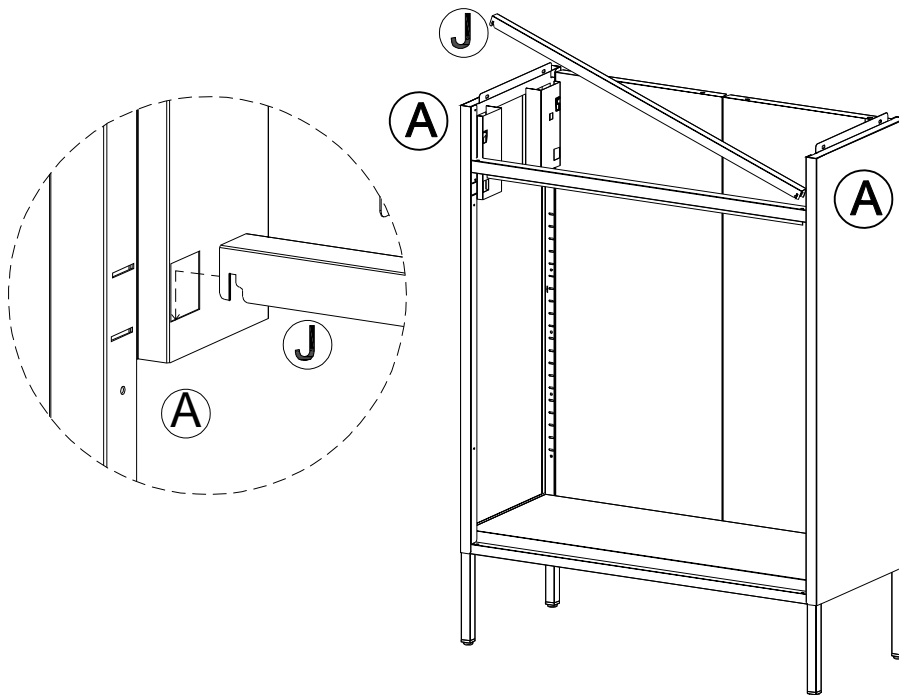
(5) - Attach (F) to (A) as below shown.



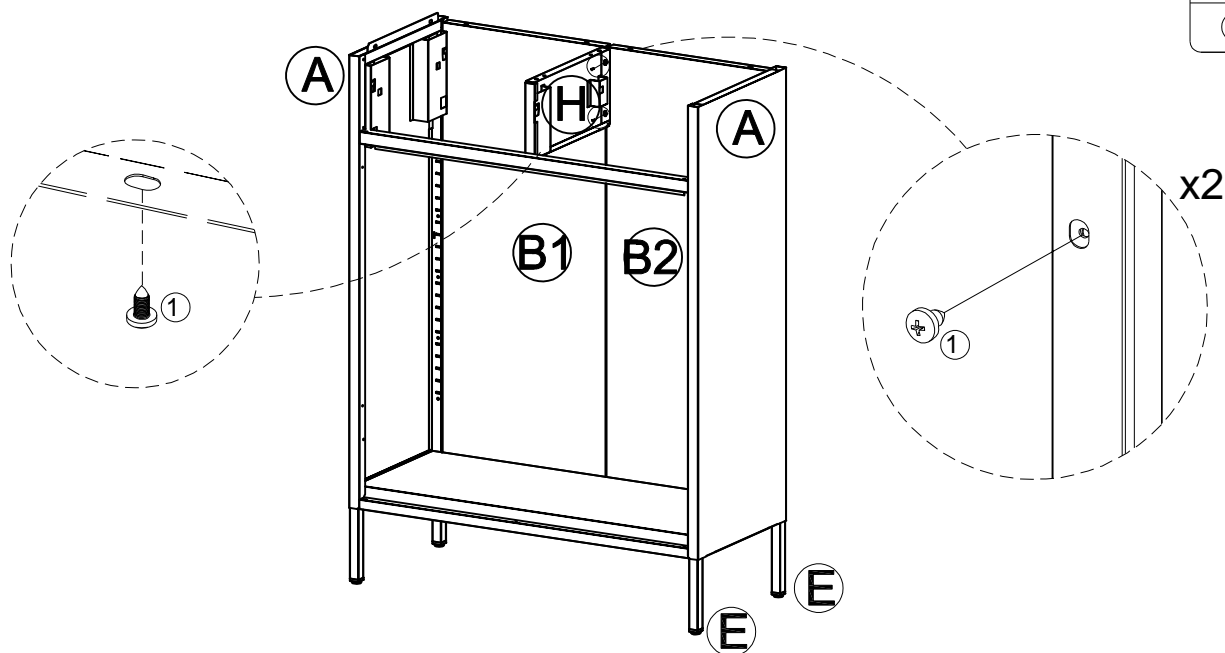
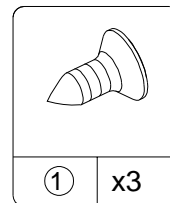
(6) - Attach (I) to (A) as below shown.



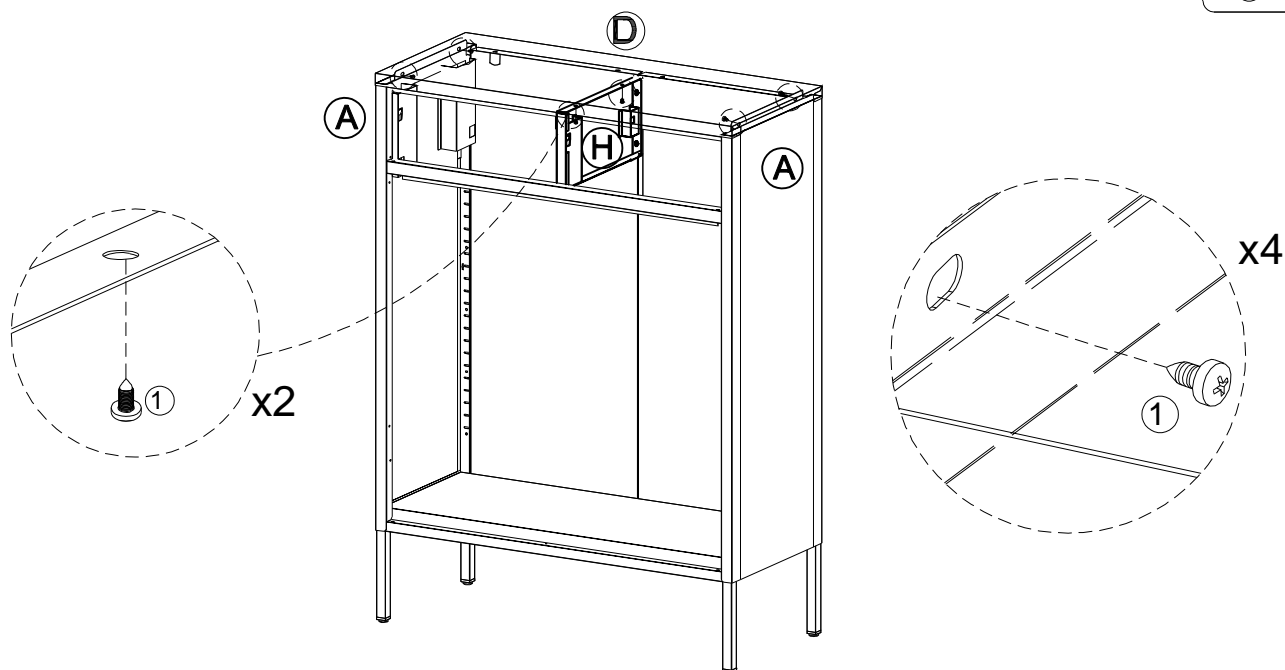
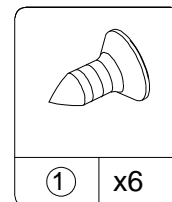
(7) - Attach (J) to (A) as below shown.



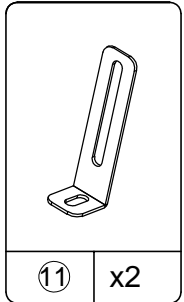
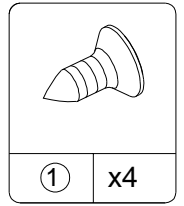
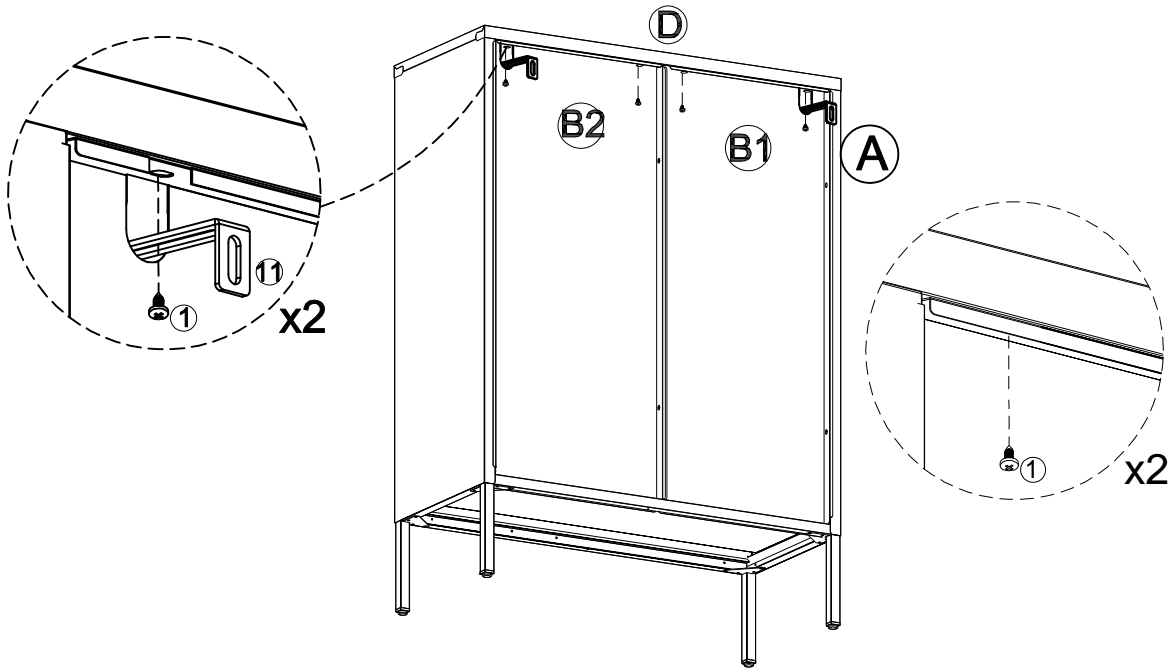
(8) - Attach (H) to (J) & (B) as below shown.



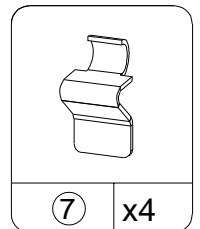
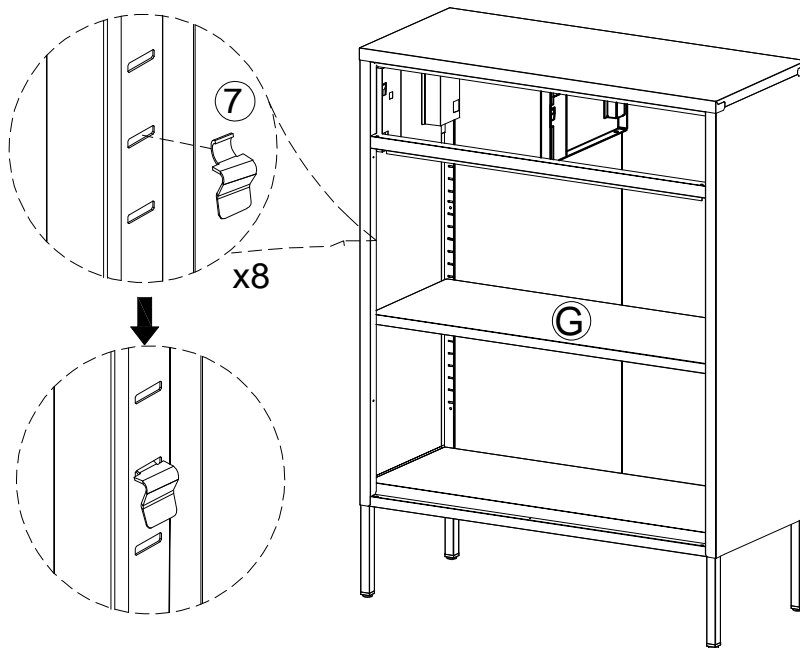
(9) - Attach (D) to (A) & (H) as below shown.



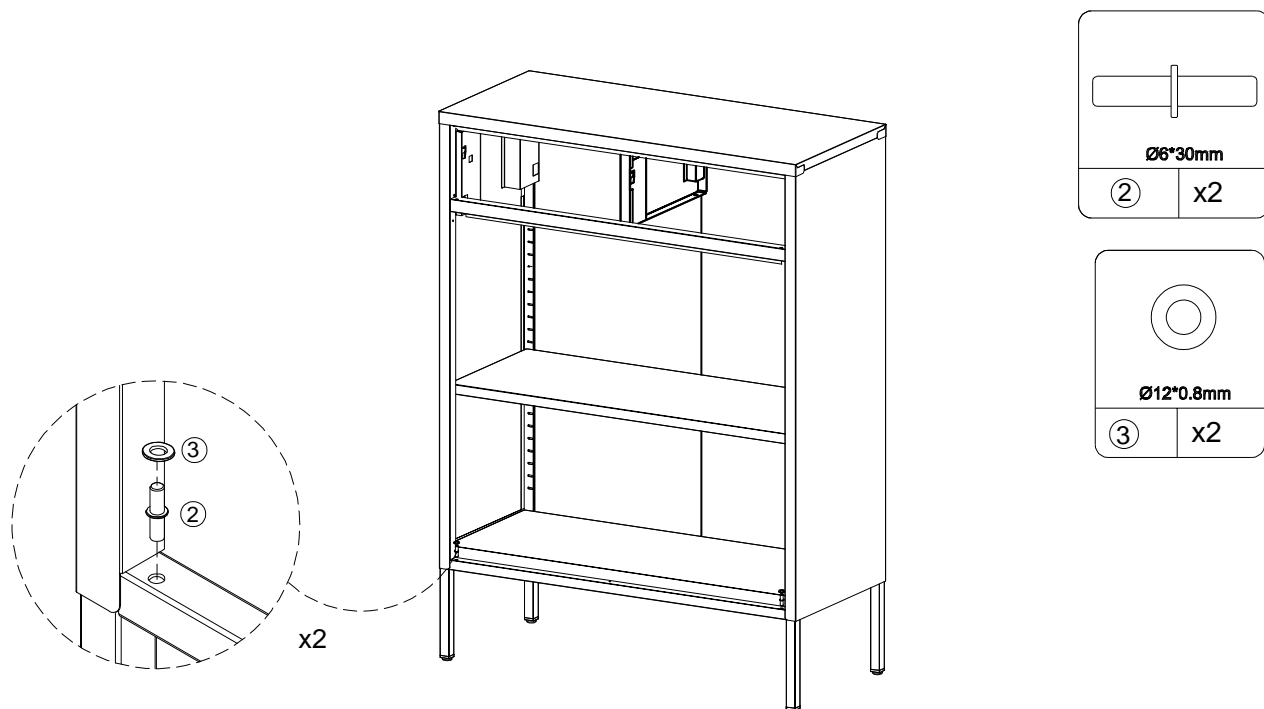
(10) - Attach (B1) & (B2) & (11) to (D) as below shown.



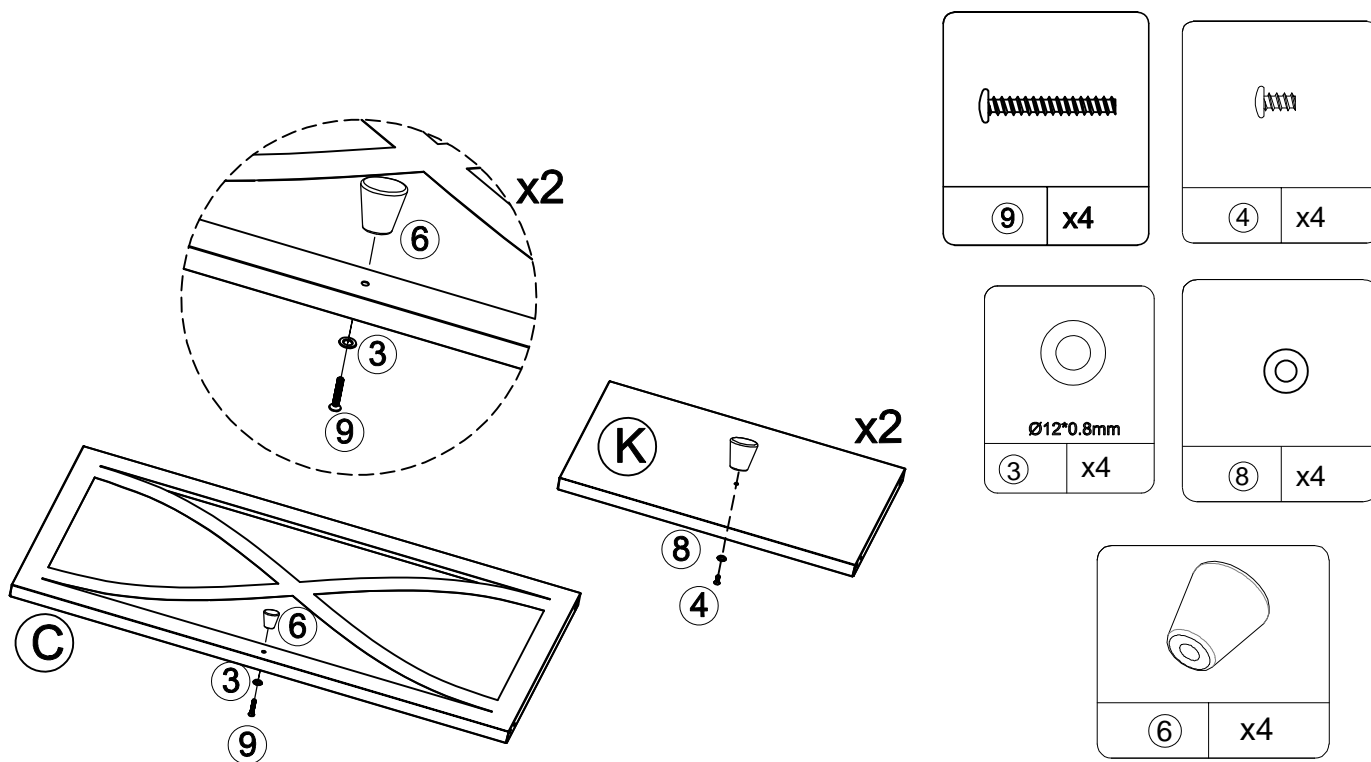
(11) - Attach (G) to pre-assembled unit as below shown.



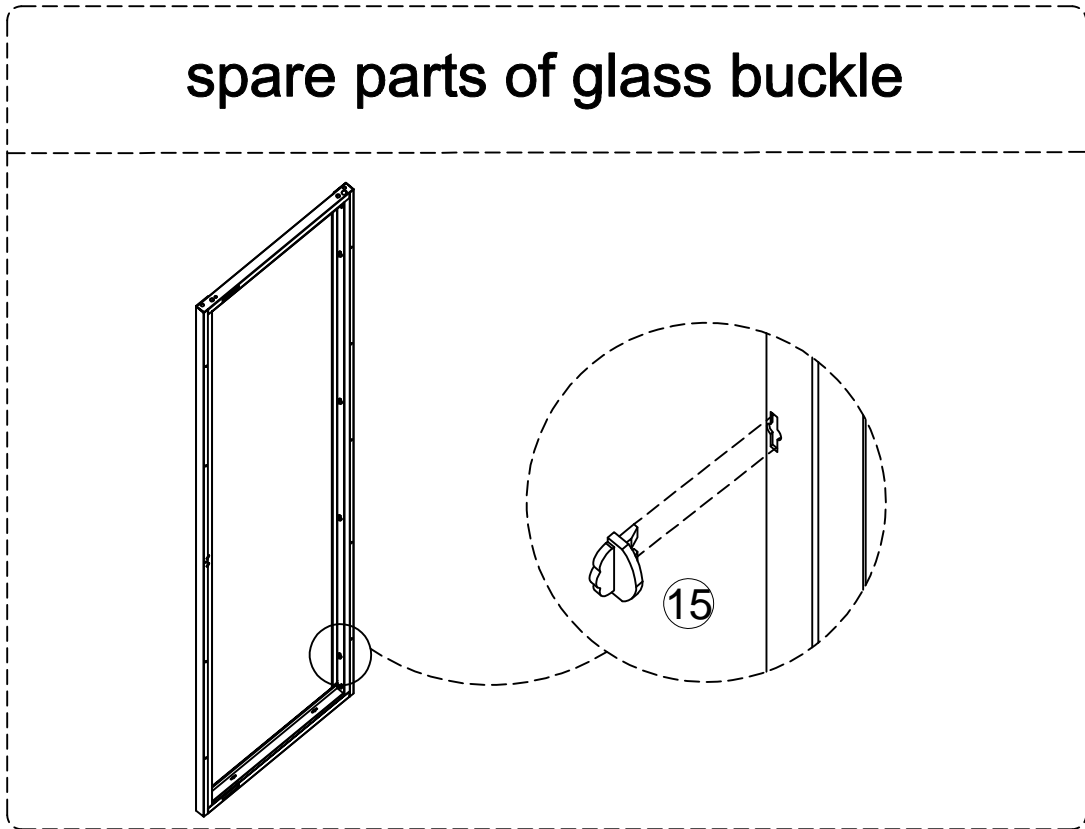
(12) - Attach (2) & (3) to pre-assembled unit as below shown.



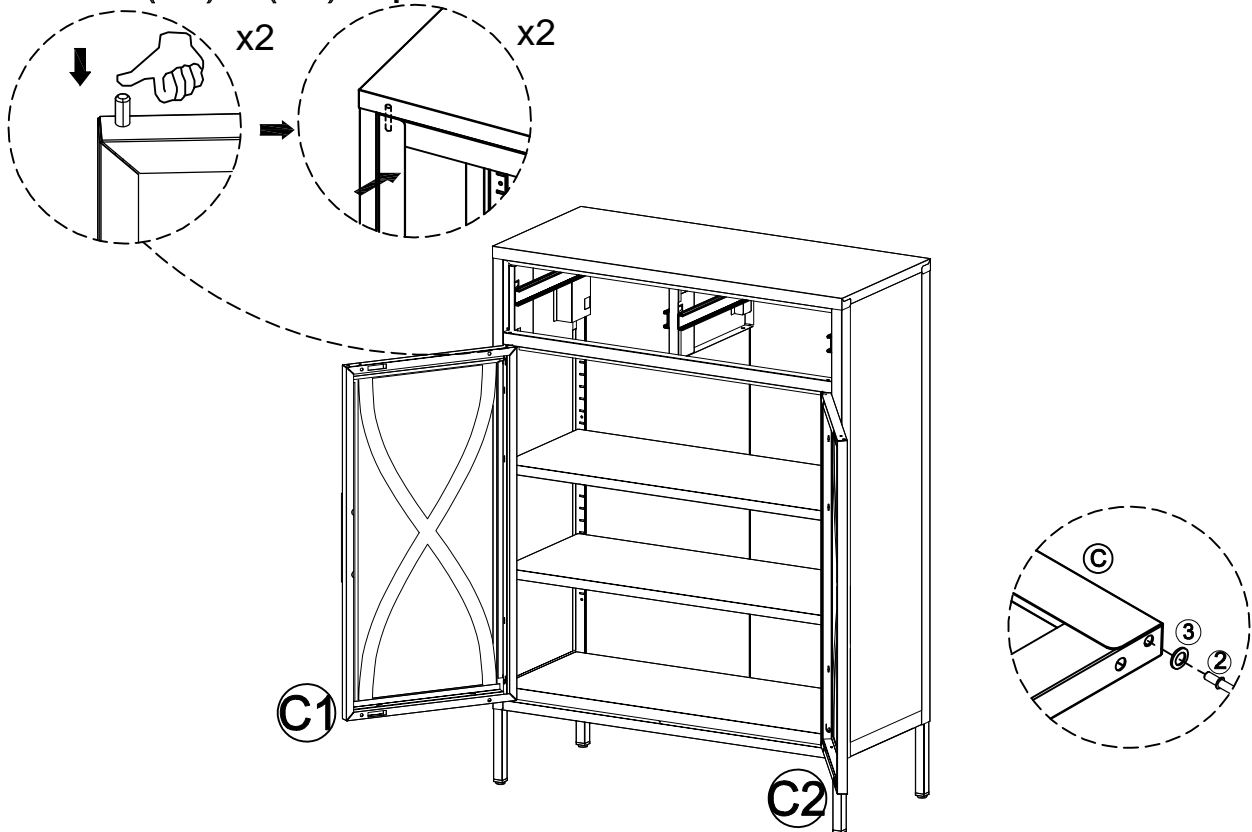
(13) - Attach (6) to (C1) & (C2) & (K) as below shown.



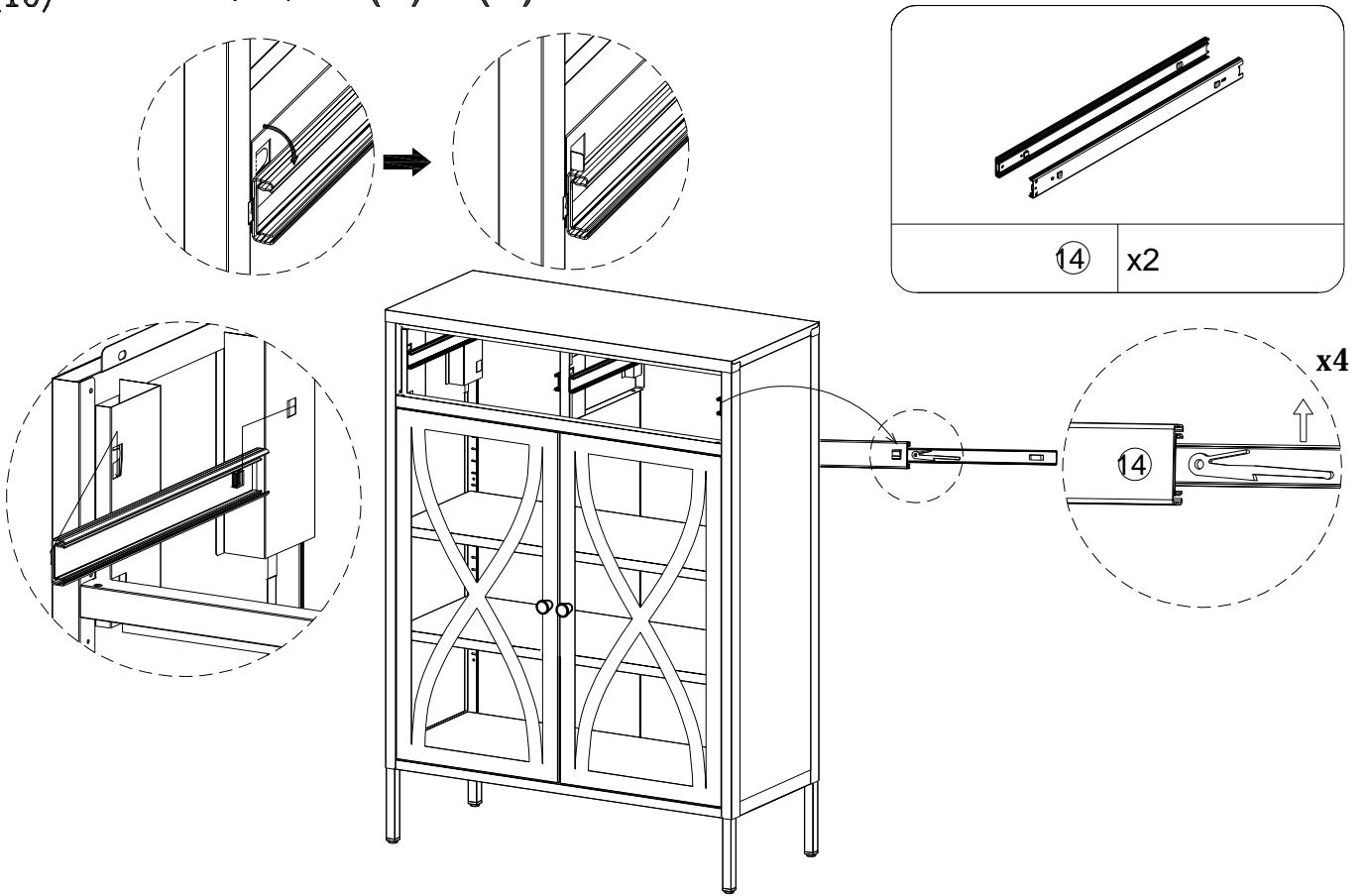
spare parts of glass buckle



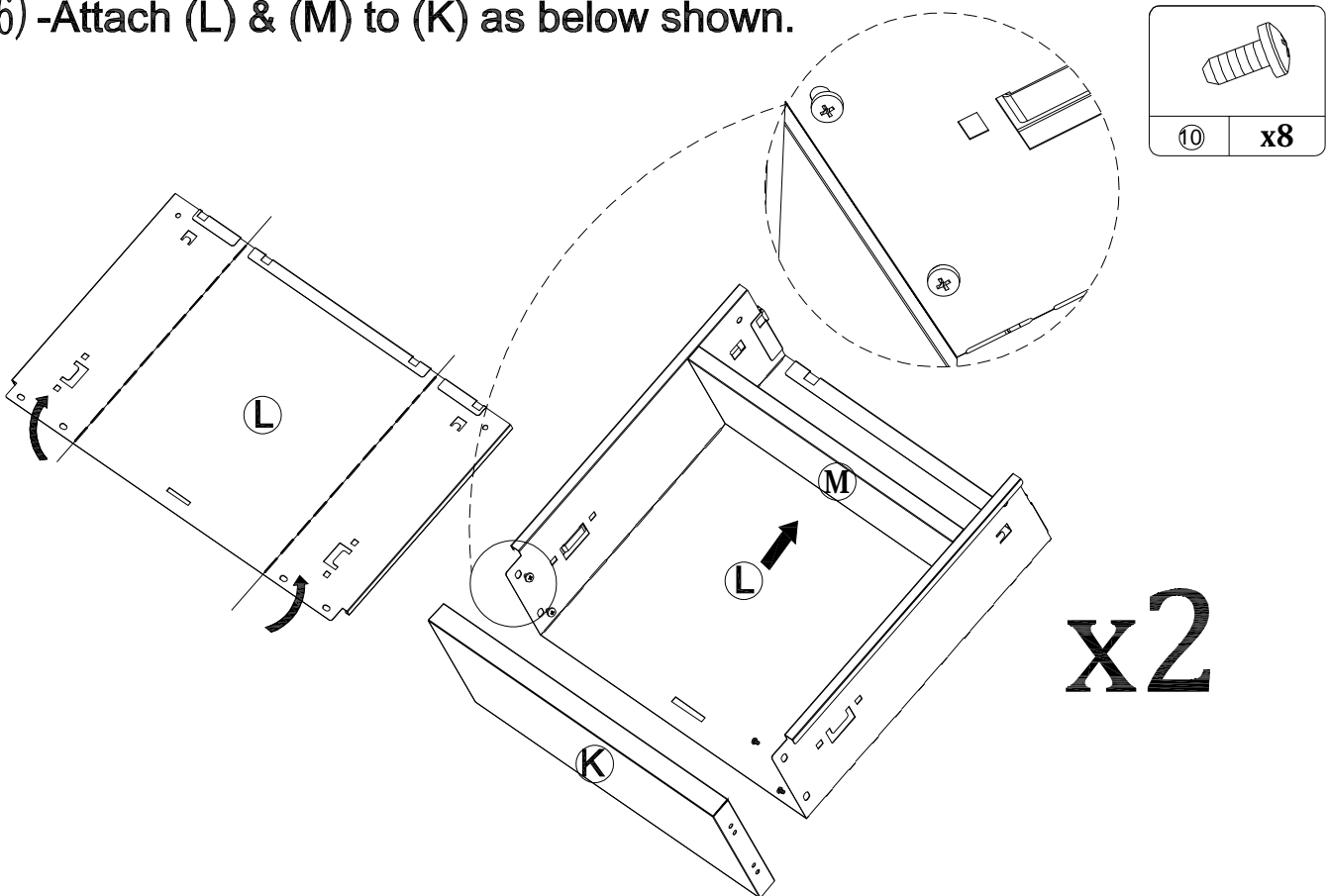
(14) - Attach (C1) & (C2) to pre-assembled unit as below shown.



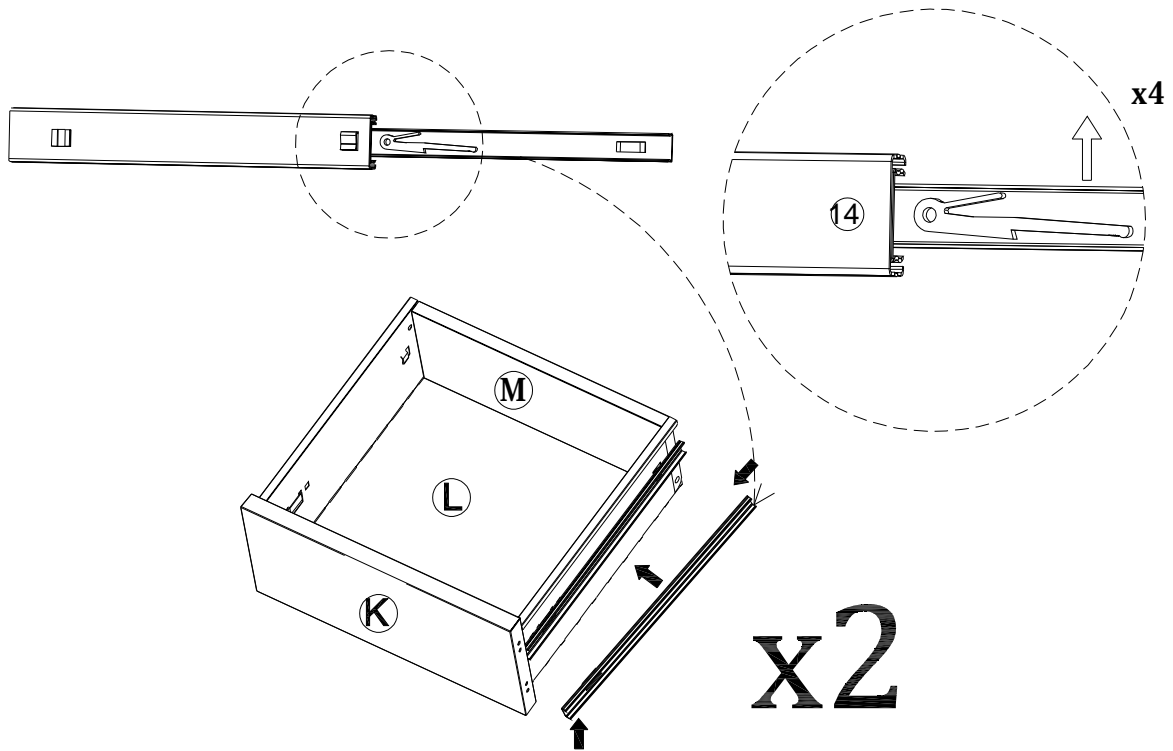
(15) - Attach (14) to (A) & (H) as below shown.



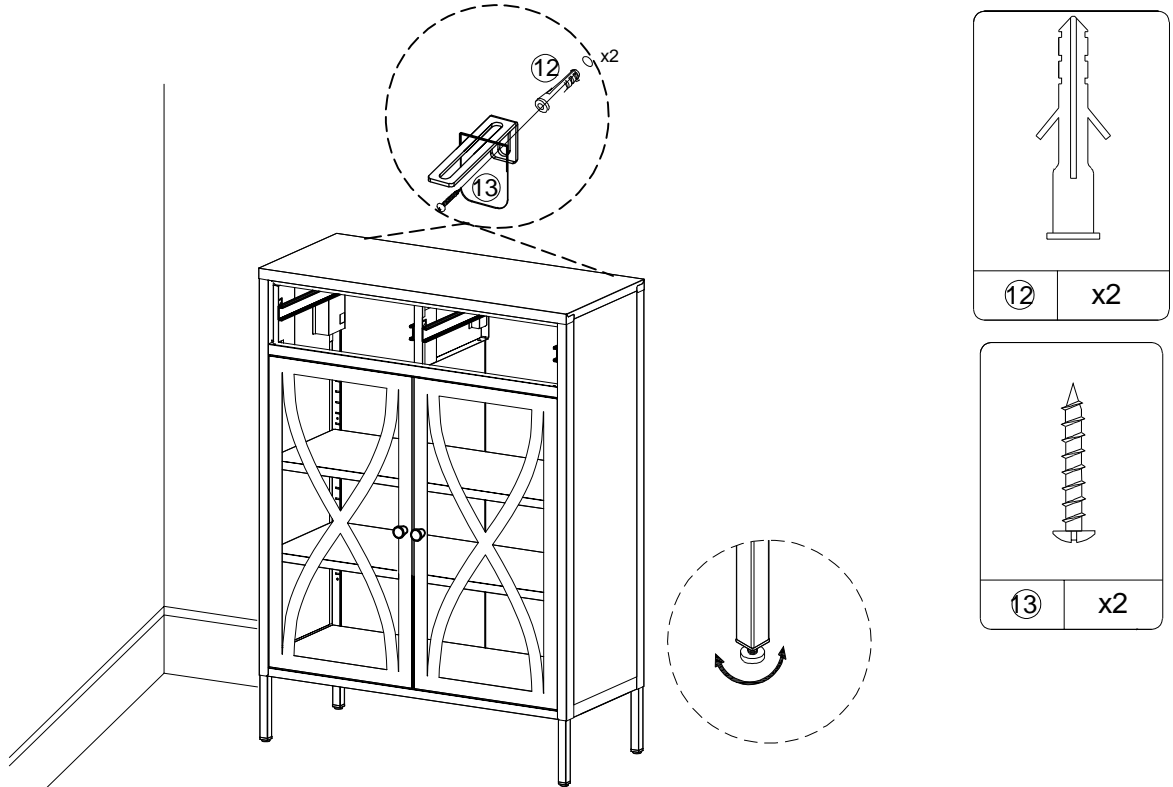
(16) - Attach (L) & (M) to (K) as below shown.



(17) -Attach Inner rail of Drawer Slide to Drawer as below shown.



(18)



Gaps may appear between the top of the doors and the frame if the item is not on level ground; use the plastic foot cover to level.

(19) -Attach Drawer to pre-assembled unit as below shown.

