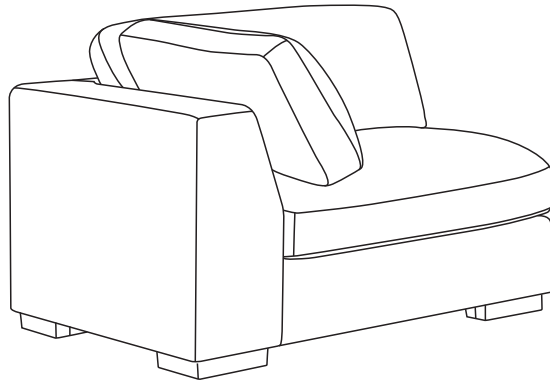
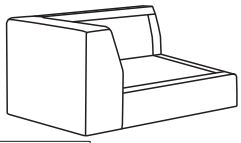


# ASSEMBLY INSTRUCTION

ITEM NO.: 2257



## PARTS LIST



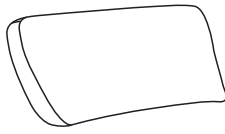
X1

**A**



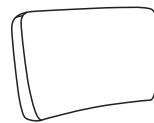
X1

**B**



X1

**C**



X1

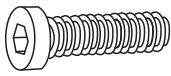
**D**

## HARDWARE LIST



X4

**1**



M8X60

X4

**2**



M5

X1

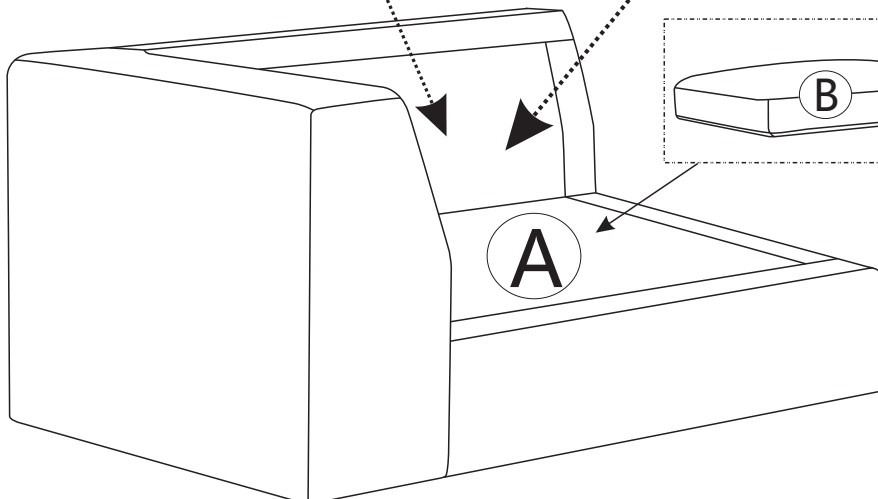
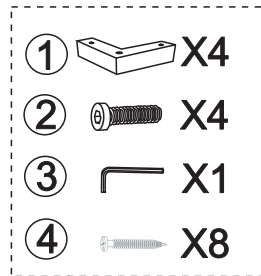
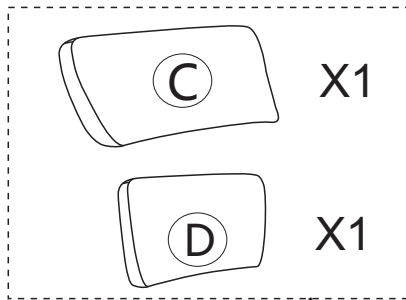
**3**



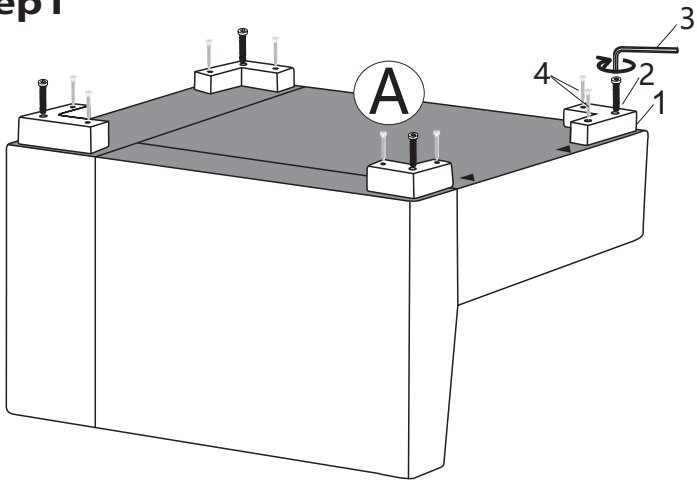
M5X50

X8

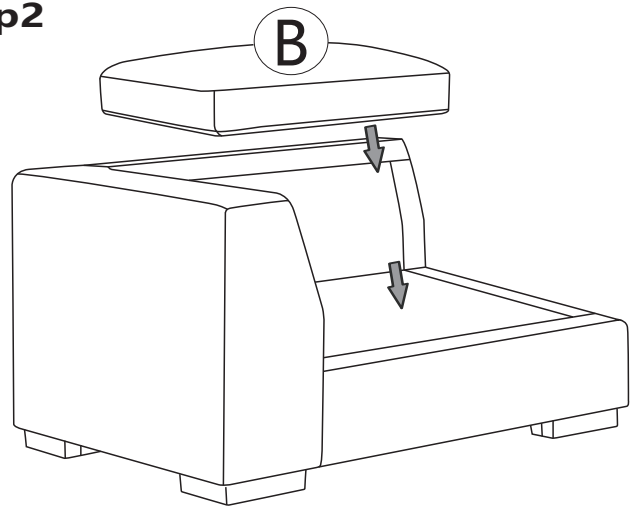
**4**



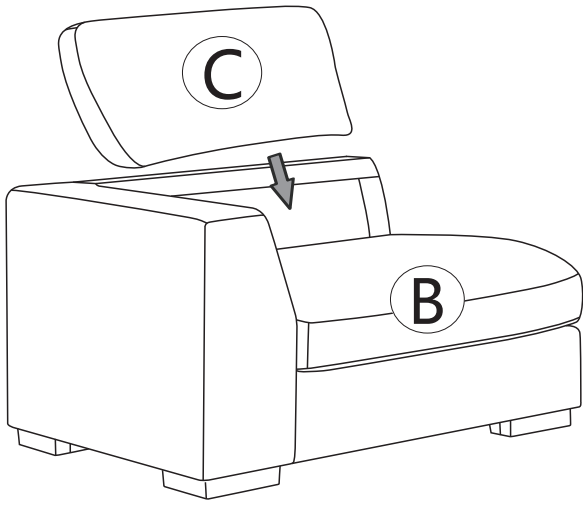
**Step1**



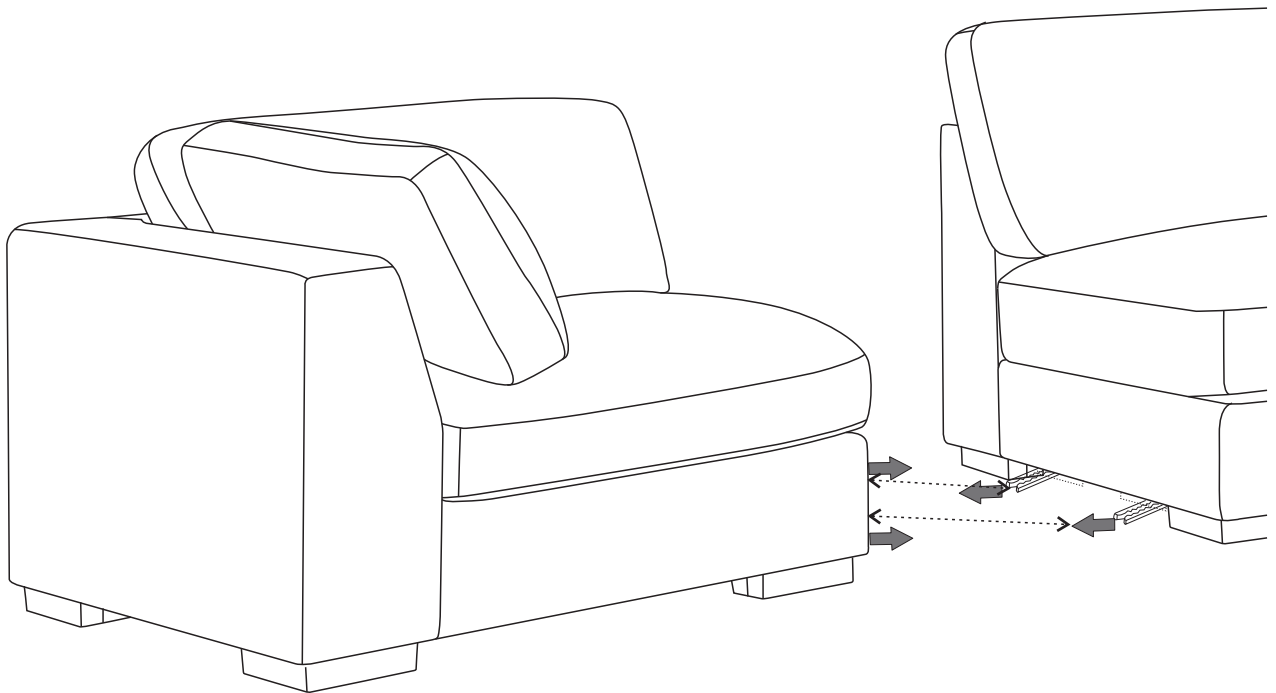
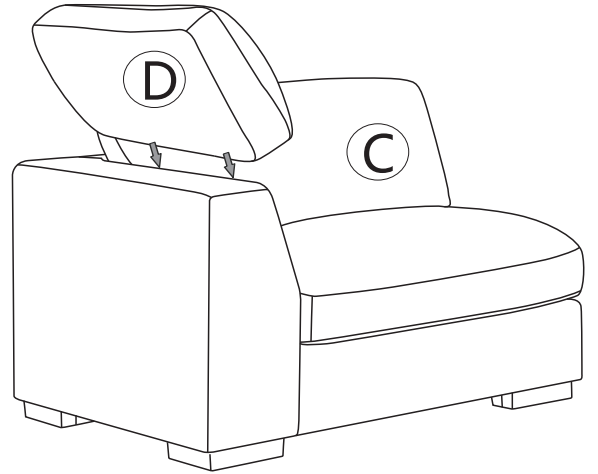
**Step2**



**Step3**

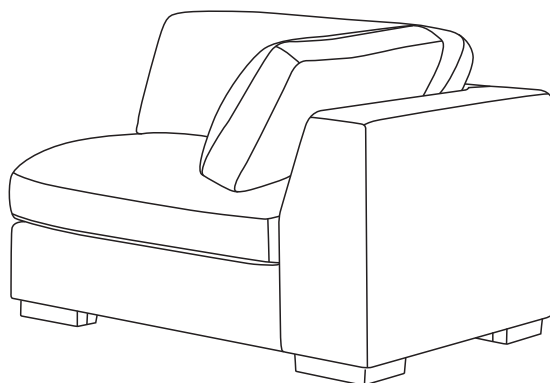


**Step4**

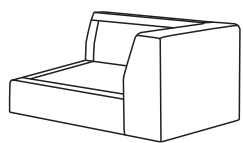


# ASSEMBLY INSTRUCTION

ITEM NO.: 2257



## PARTS LIST



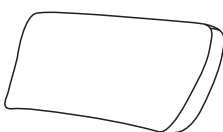
X1

A



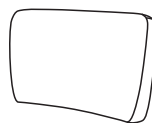
X1

B



X1

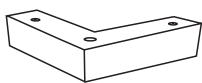
C



X1

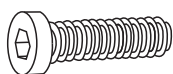
D

## HARDWARE LIST



X4

1



M8X60

X4

2



M5

X1

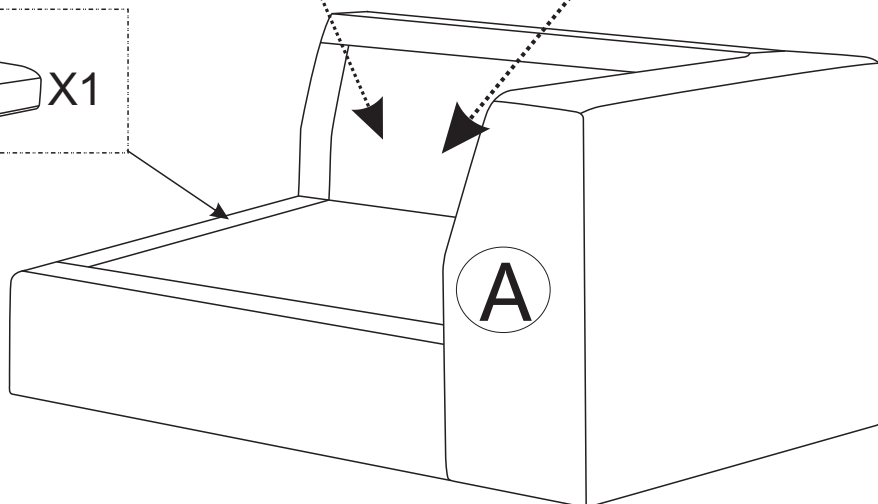
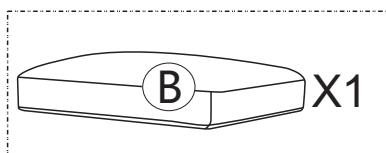
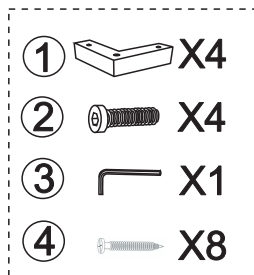
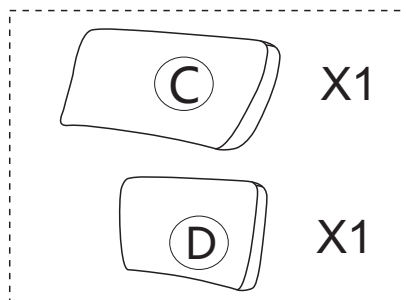
3



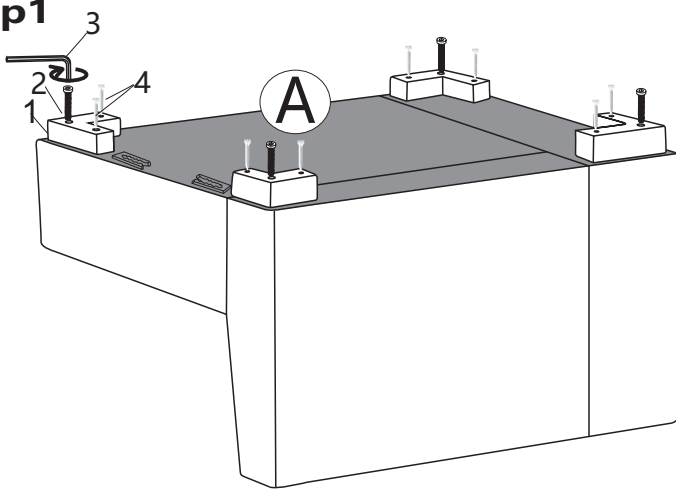
M5X50

X8

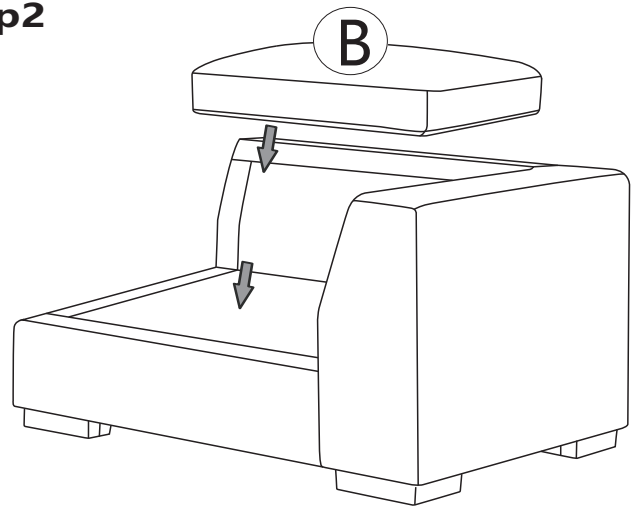
4



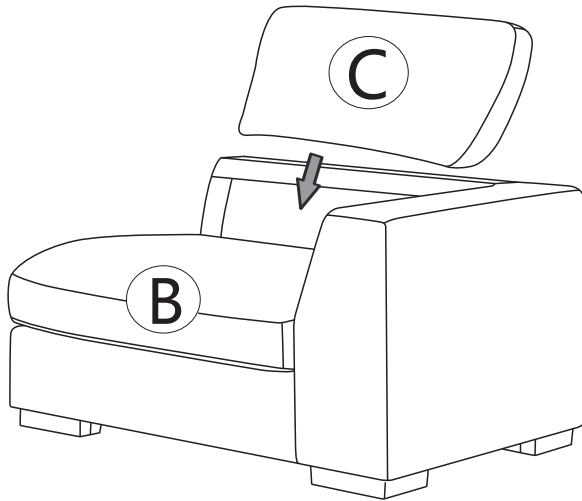
**Step1**



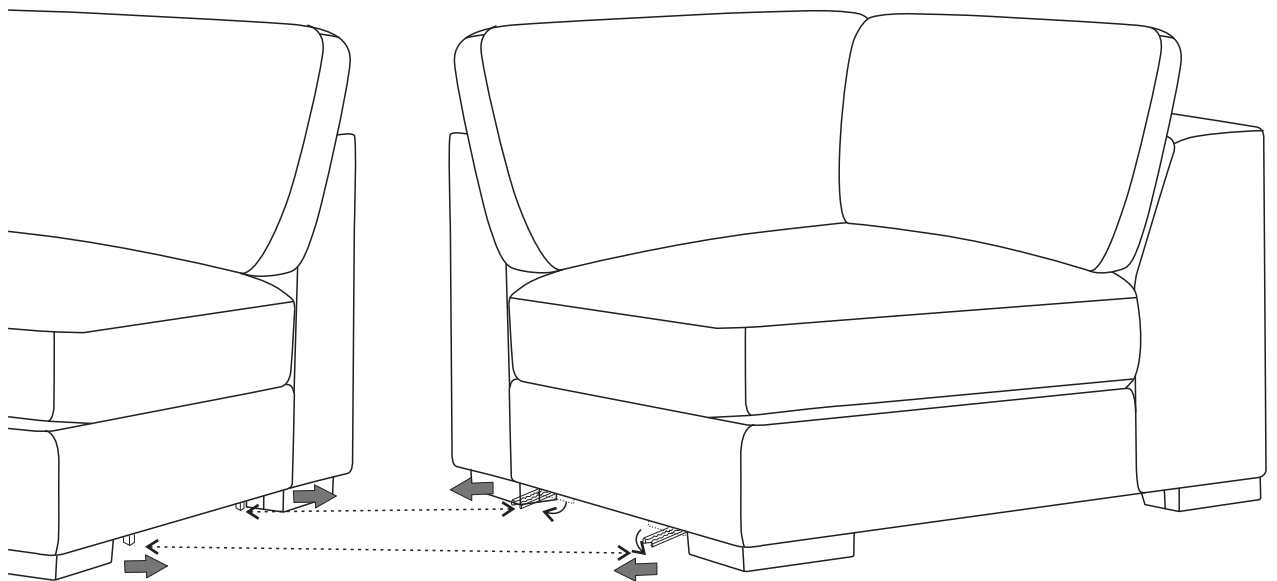
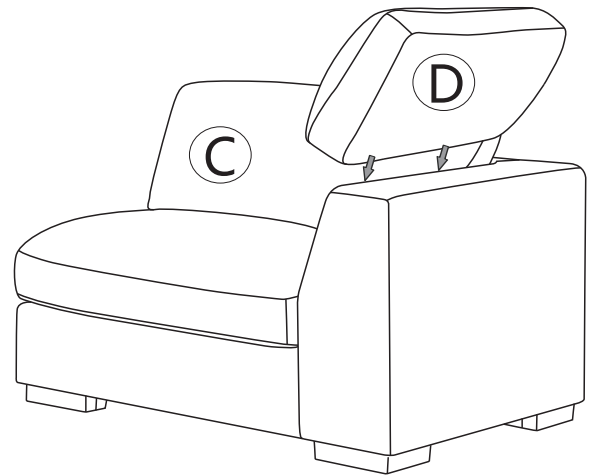
**Step2**



**Step3**

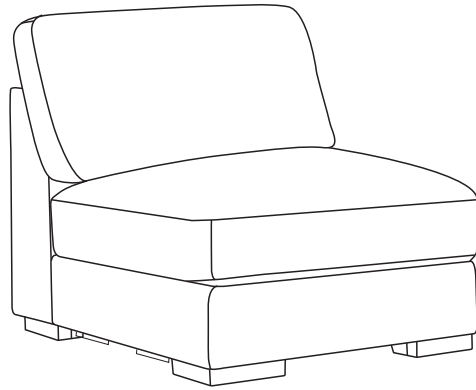


**Step4**

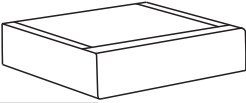
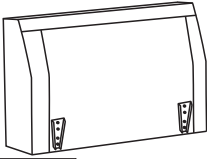




# ASSEMBLY INSTRUCTION

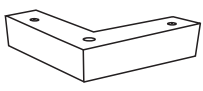



ITEM NO.: 2257

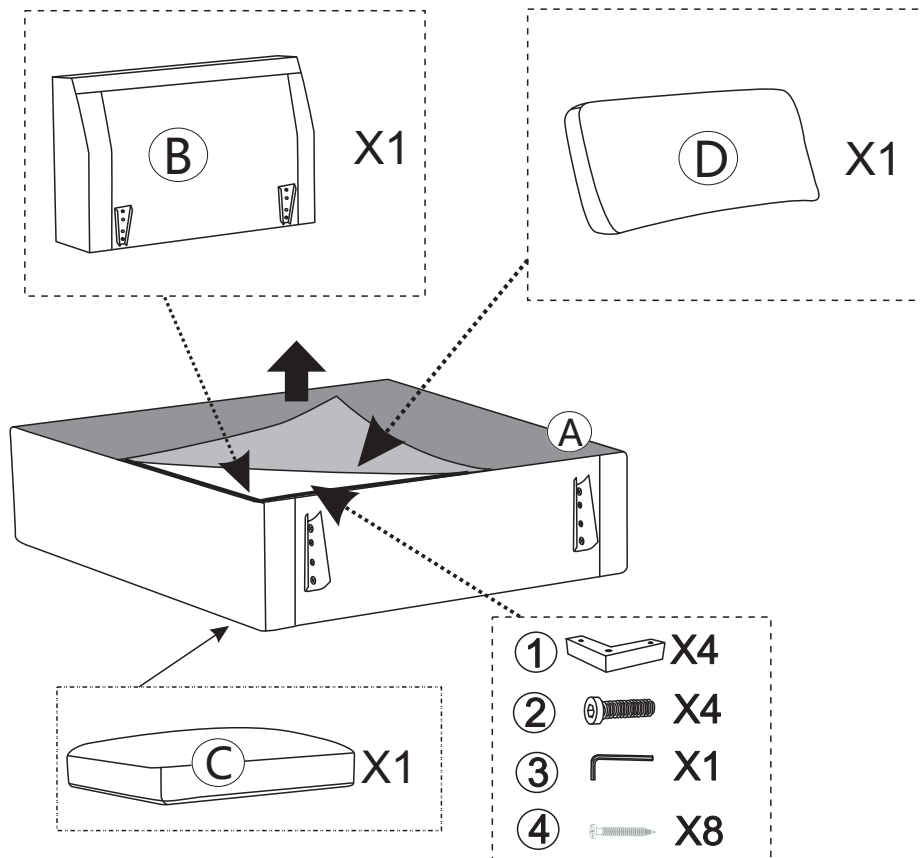


## PARTS LIST

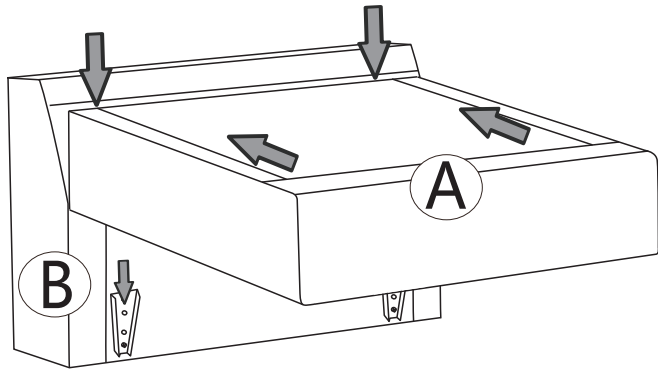
			
<b>A</b>	<b>B</b>	<b>C</b>	<b>D</b>
X1	X1	X1	X1

## HARDWARE LIST

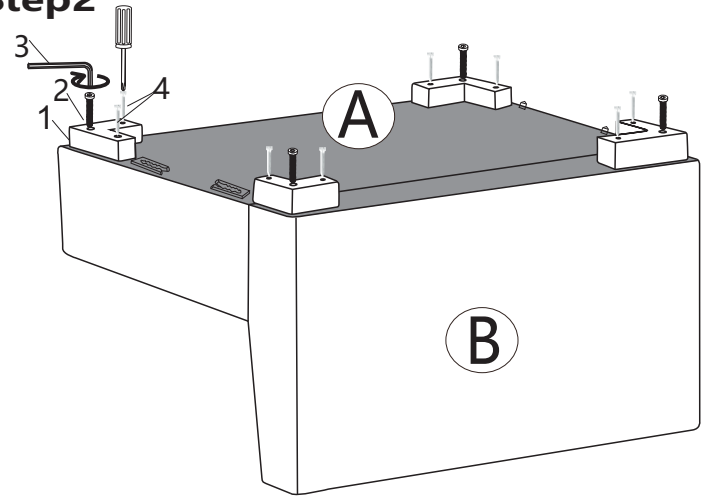
			
<b>1</b>	<b>2</b>	<b>3</b>	<b>4</b>
X4	M8X60 X4	M5 X1	M5X50 X8



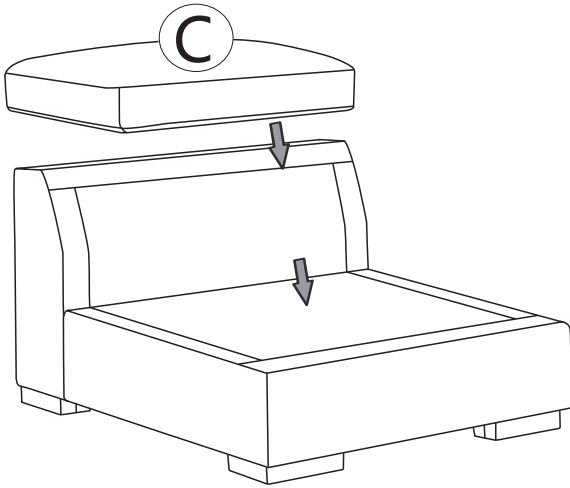
### Step1



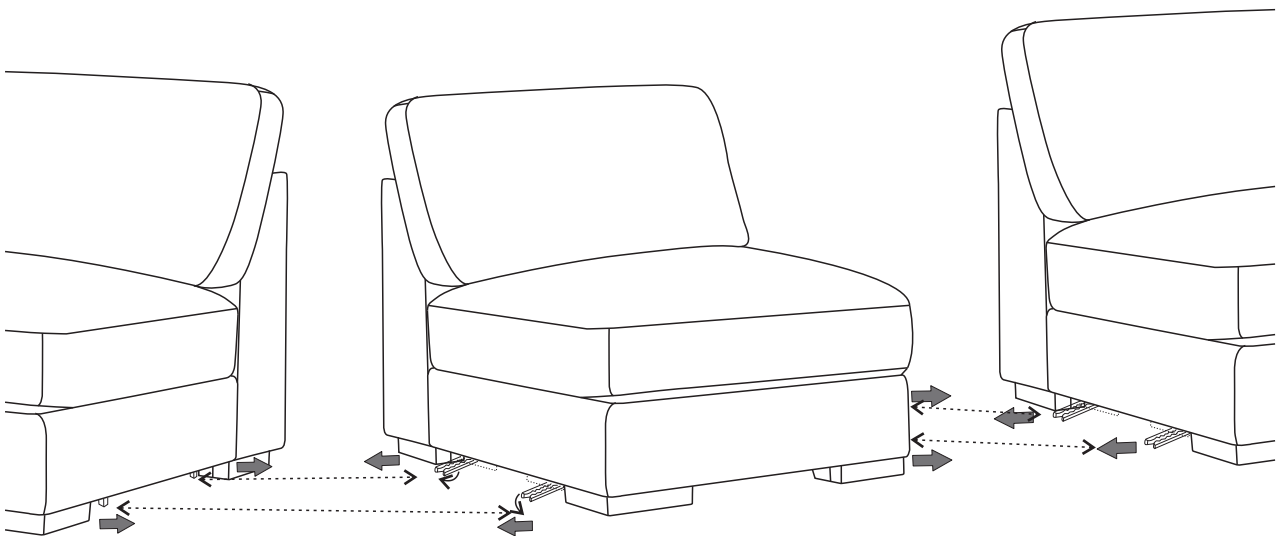
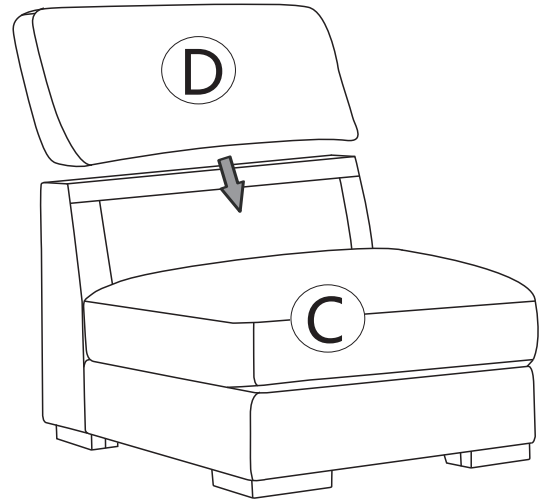
### Step2



### Step3

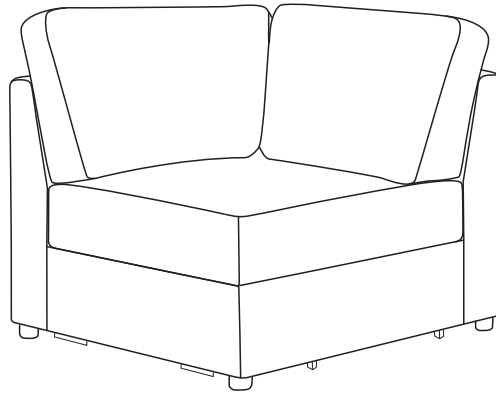


### Step4

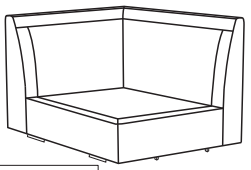


# ASSEMBLY INSTRUCTION

ITEM NO.: 2257



## PARTS LIST



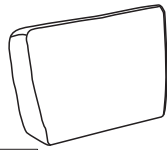
**A**

X1



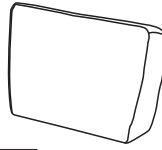
**B**

X1



**C**

X1



**D**

X1

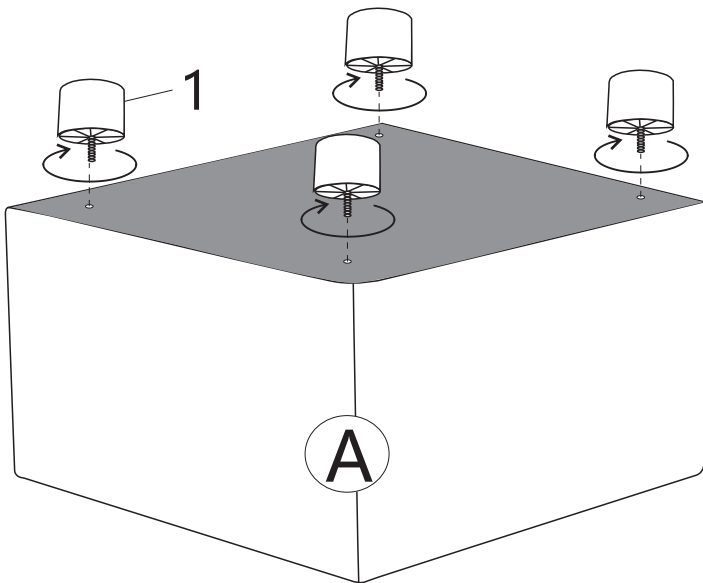
## HARDWARE LIST



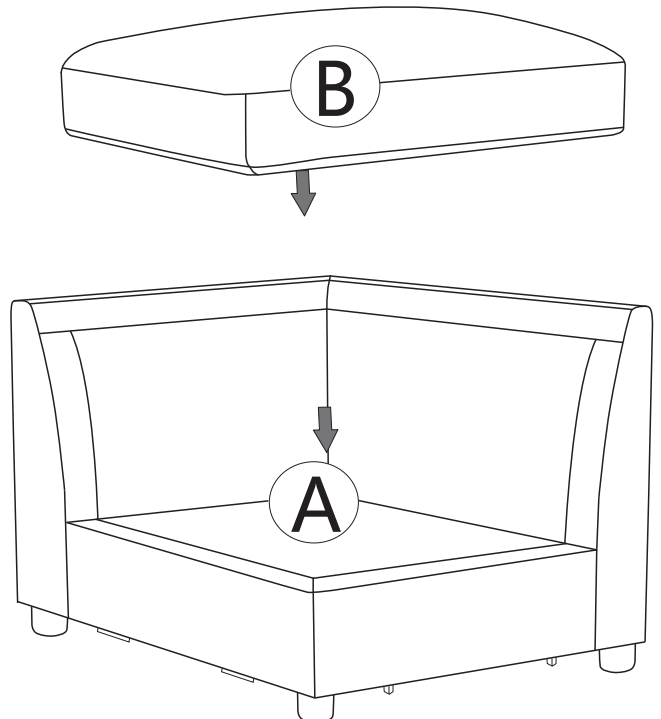
**1**

X4

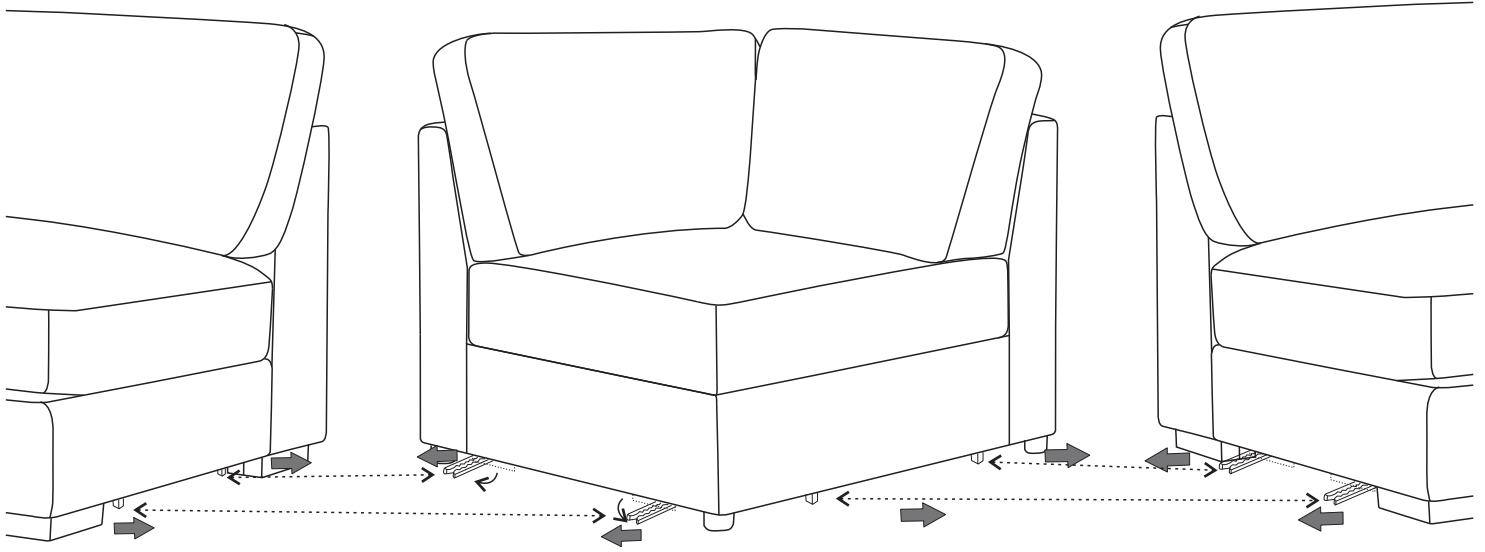
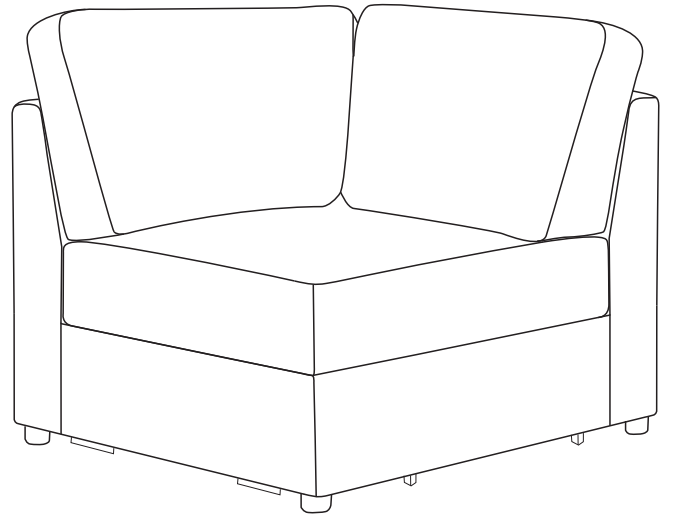
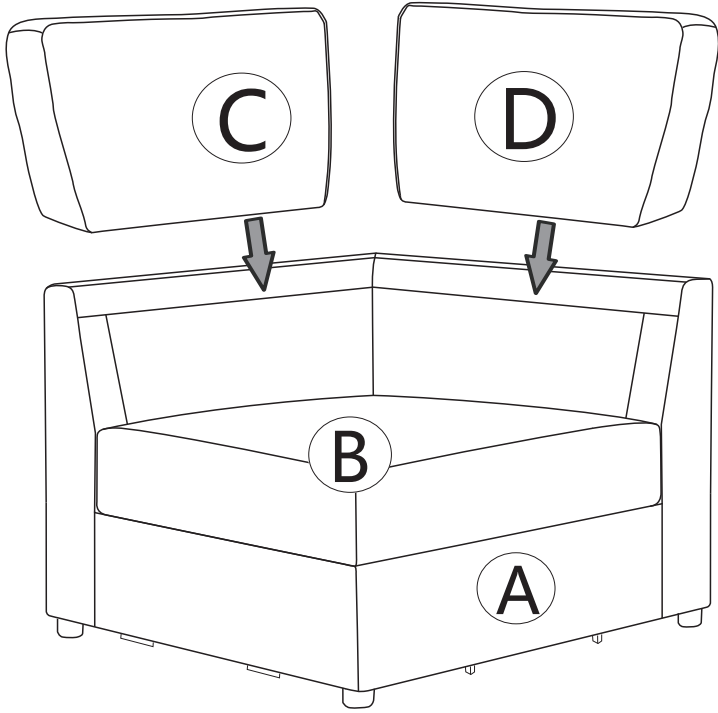
### Step1



### Step2



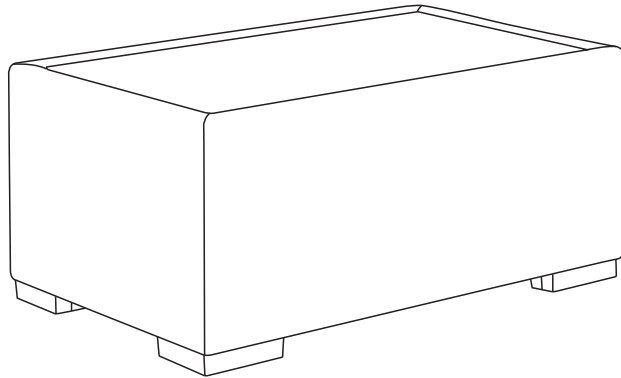
**Step 3**



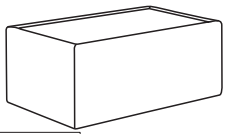


# ASSEMBLY INSTRUCTION

ITEM NO.: 2257



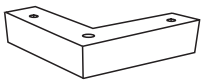
## PARTS LIST



**A**

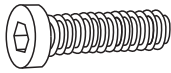
X1

## HARDWARE LIST



**1**

X4



M8X60

**2**

X4



M5

**3**





X1

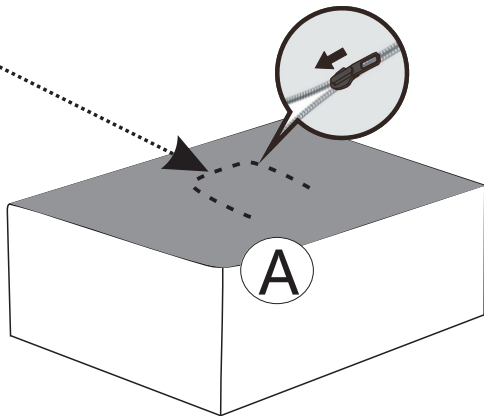


M5X50

**4**

X8

- ①  X4
- ②  X4
- ③  X1
- ④  X8



### Step 1

