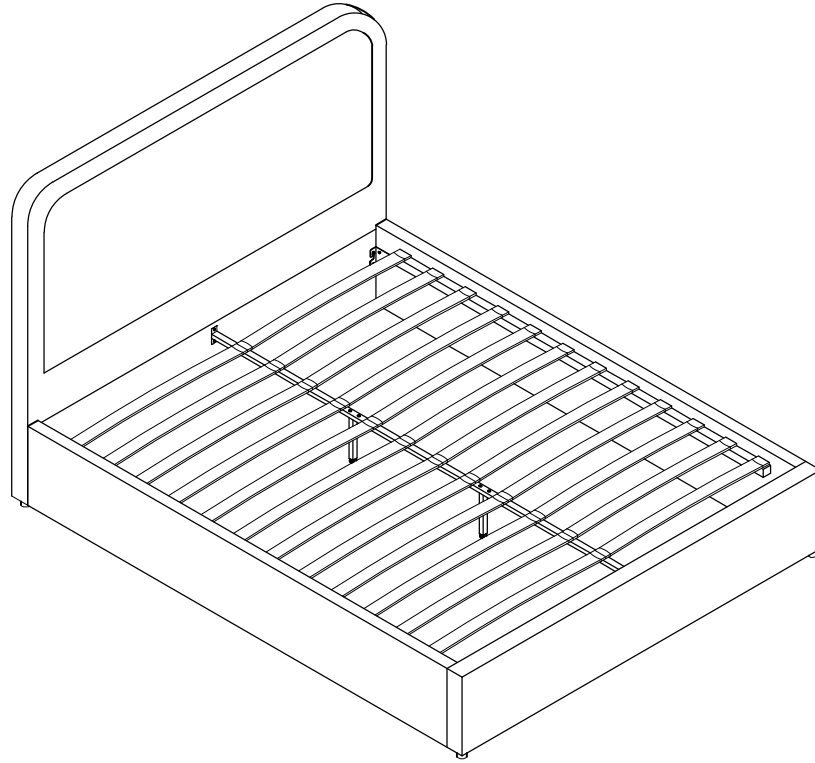
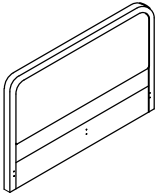


# ASSEMBLY INSTRUCTIONS

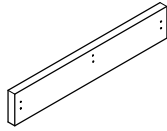


## PARTS LIST

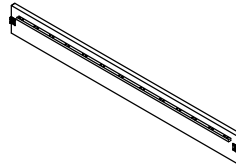
**A: HEADBOARD 1PC**



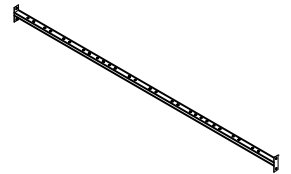
**B: FOOTBOARD 1PC**



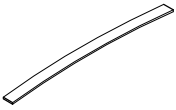
**C: SIDE RAIL 2PC**



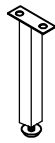
**D: CENTERE RAIL 1PC**



**E: BCD SLATS 24PCS**



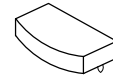
**F: SUPPORT LEG 2PCS**



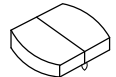
**G: LEG 4PCS**



**H: SLAT CAP 24PCS**

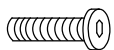


**I: DOUBLE PLASTIC CAP 12PCS**



## HARDWARE LIST

**1: BOLT 8PCS**



M8X40mm

**2: BOLT 8PCS**



M8X30mm

**3: NUT 4PCS**



**4: FLAT WASHER 16PCS**



M8

**5: SPRING WASHER 16PCS**

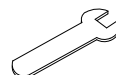


M8

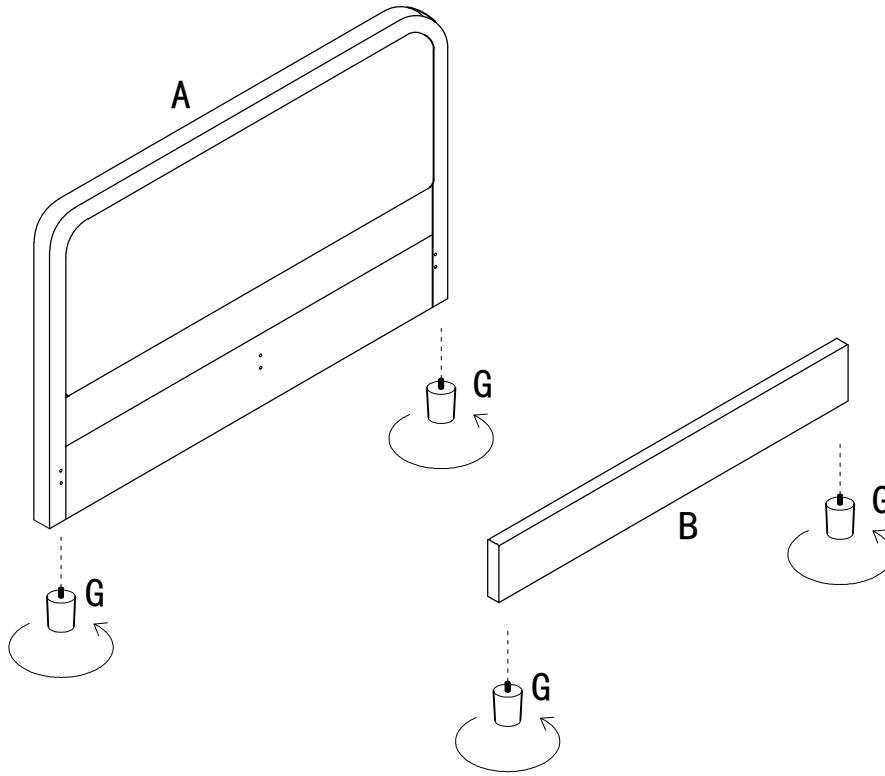
**6: ALLEN KEY 1PC**



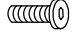



**7: SPANNER 1PC**

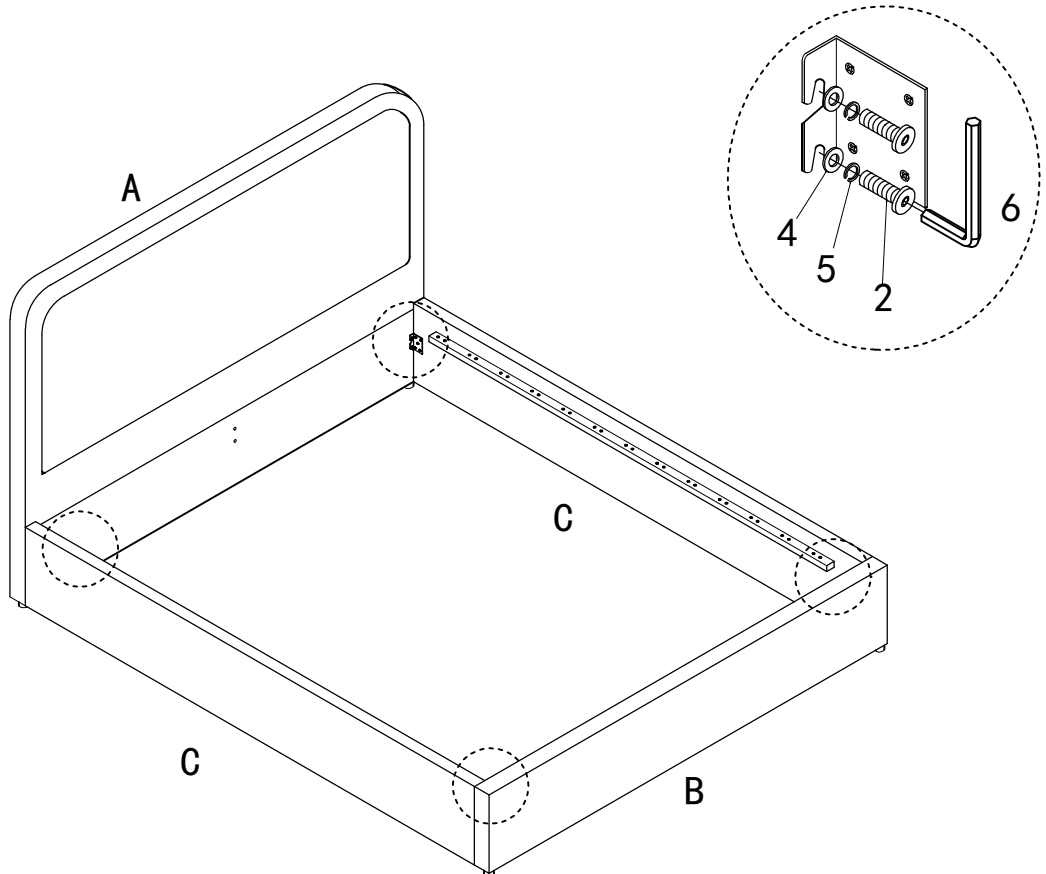


# STEP 1






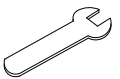


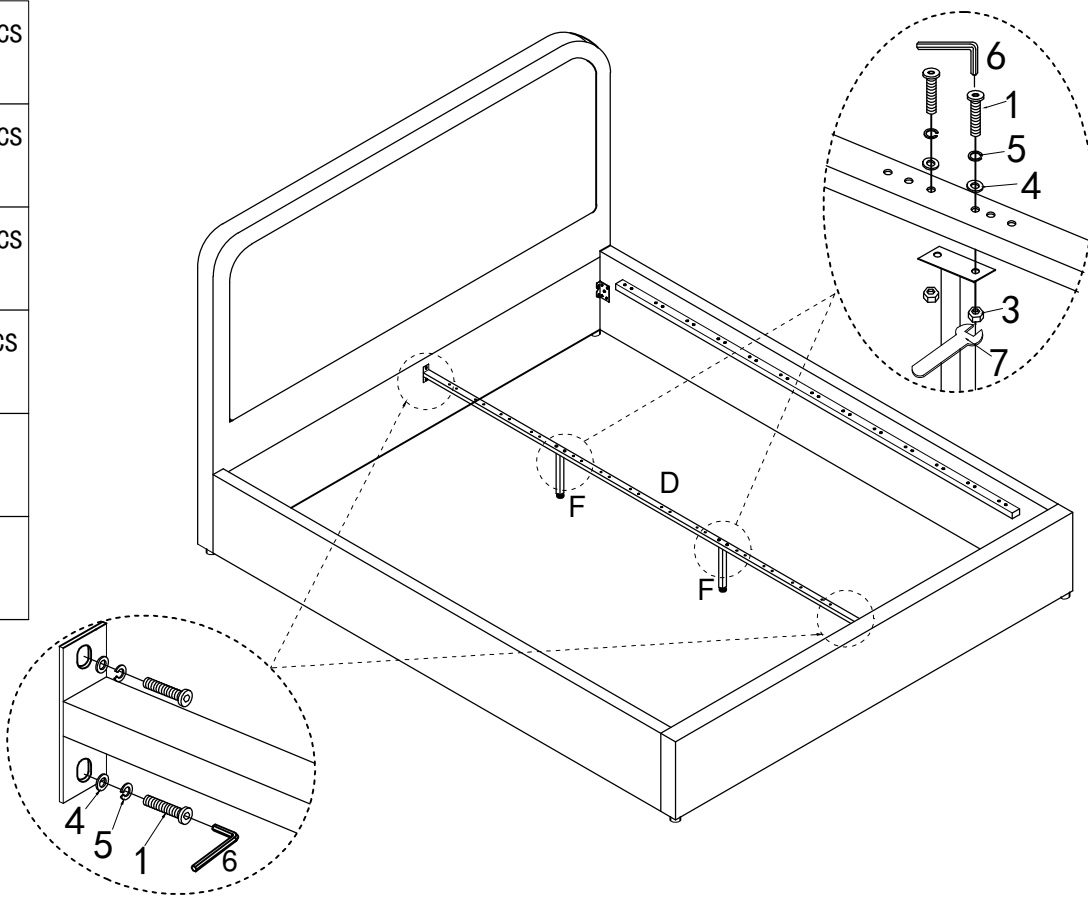
# STEP 2

|   |   |      |
|---|---|------|
| 2 |  | 8PCS |
|   | M8X30mm   |      |
| 4 |  | 8PCS |
|   | M8  |      |
| 5 |  | 8PCS |
|   | M8  |      |
| 6 |  |      |



### STEP 3

|   |   |      |
|---|---|------|
| 1 |  | 8PCS |
|   | M8X40mm   |      |
| 4 |  | 8PCS |
|   | M8  |      |
| 5 |  | 8PCS |
|   | M8  |      |
| 3 |  | 4PCS |
| 6 |  |      |
| 7 |  |      |



### STEP 4

