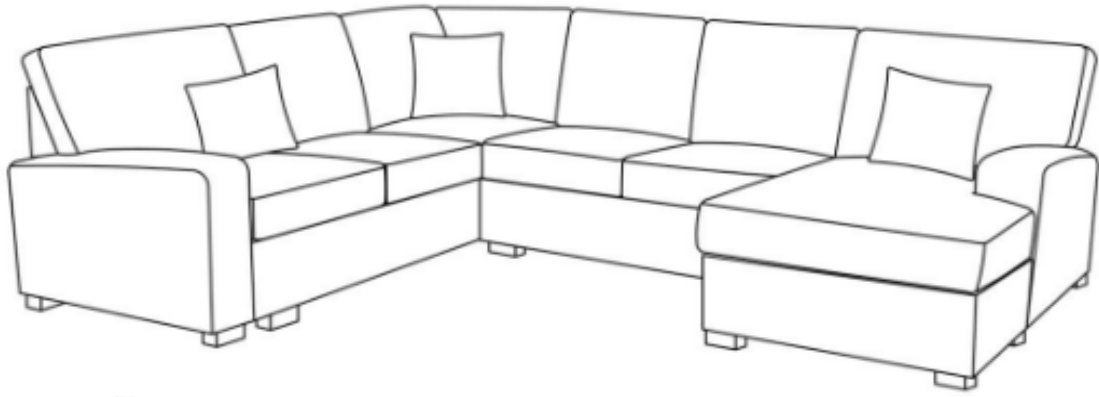


ASSEMBLY INSTRUCTION



PARTS LIST



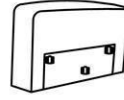
A*1PC



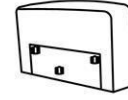
B*1PC



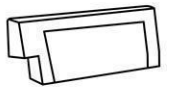
C*1PC



D*1PC



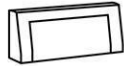
E*1PC



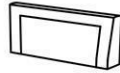
F*1PC



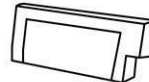
G*1PC



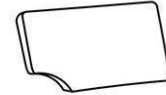
H*1PC



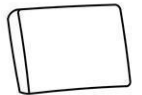
I*1PC



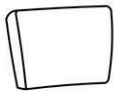
J*1PC



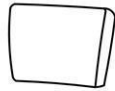
K*1PC



L*3PCS



N*1PC



M*1PC



O*1PC



P*3PCS

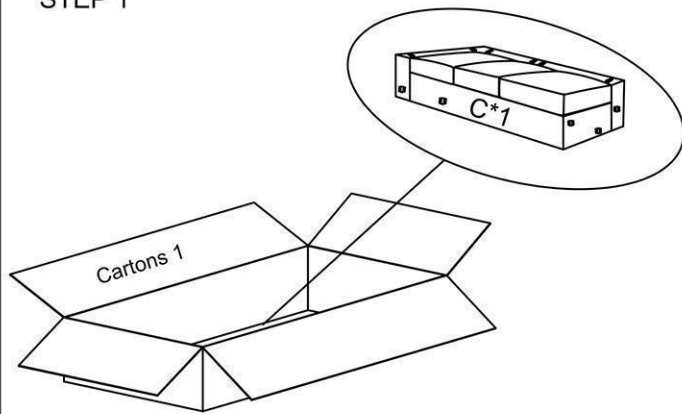


Q*13PCS

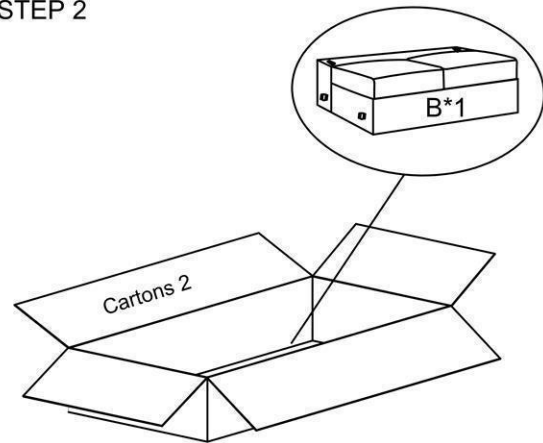


R*5PCS

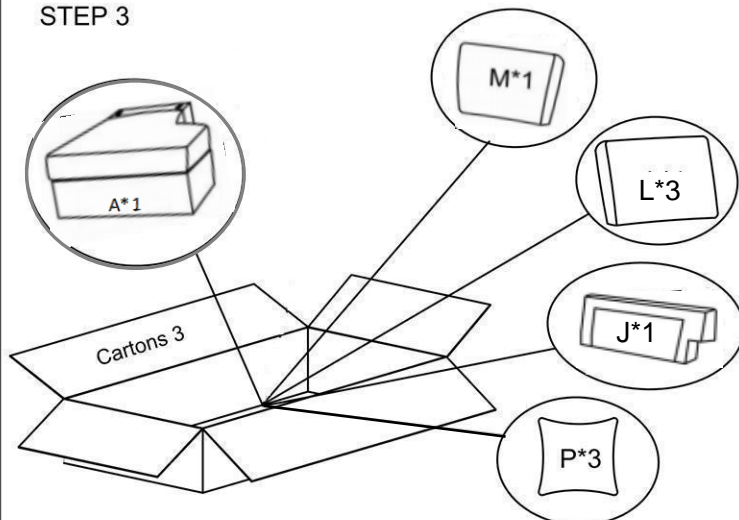
STEP 1



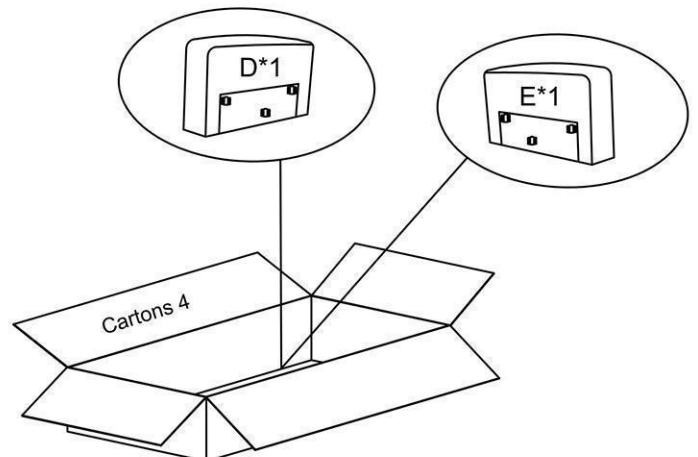
STEP 2



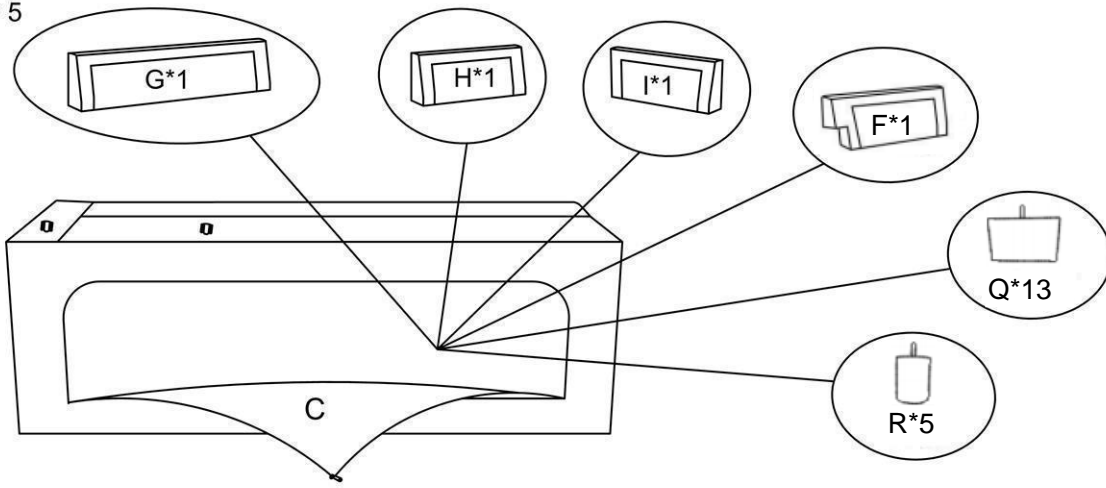
STEP 3



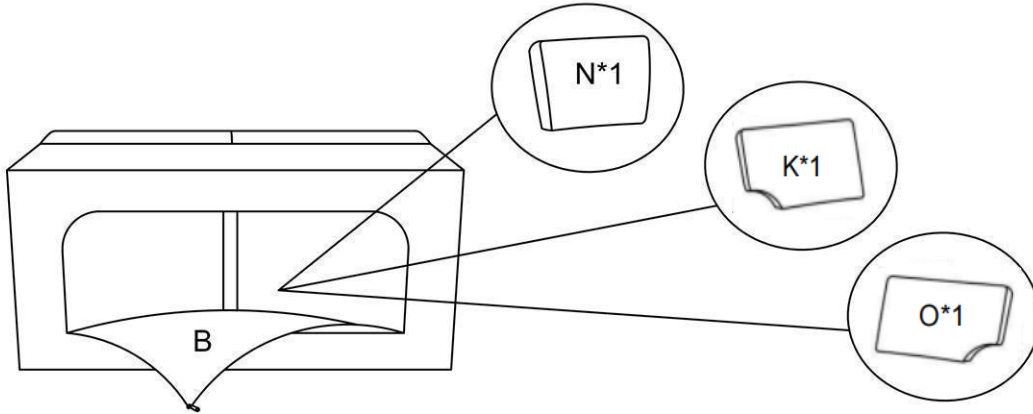
STEP 4



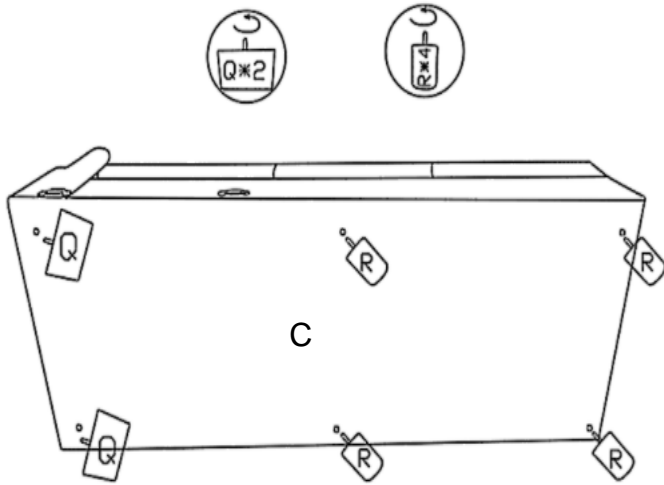
STEP 5



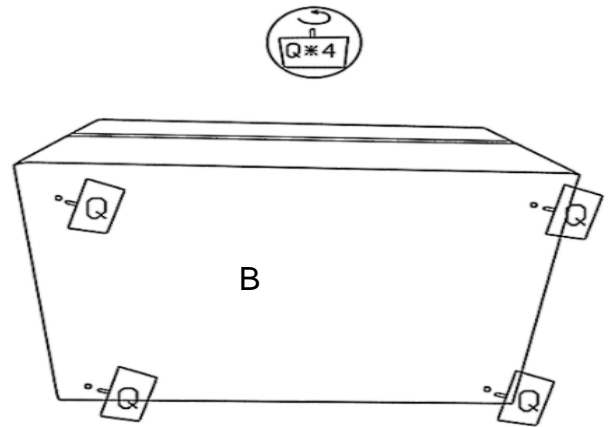
STEP 6



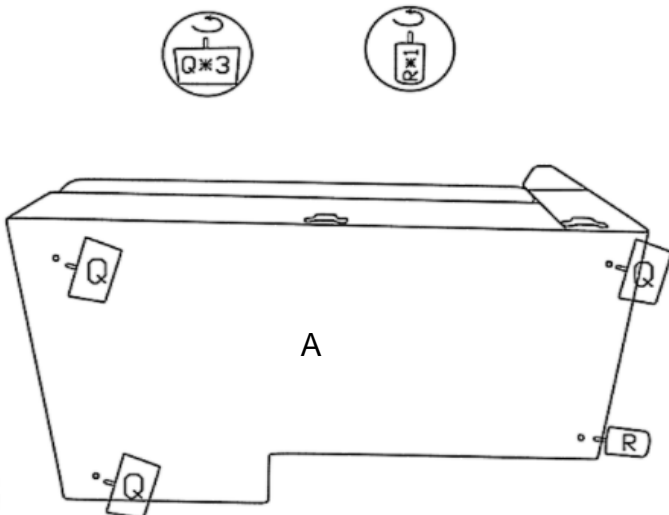
STEP 7



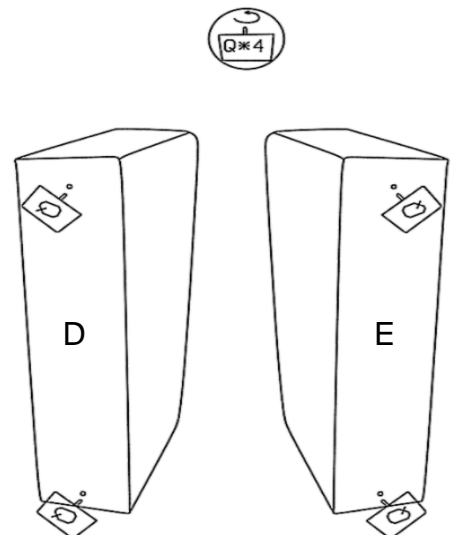
STEP 8



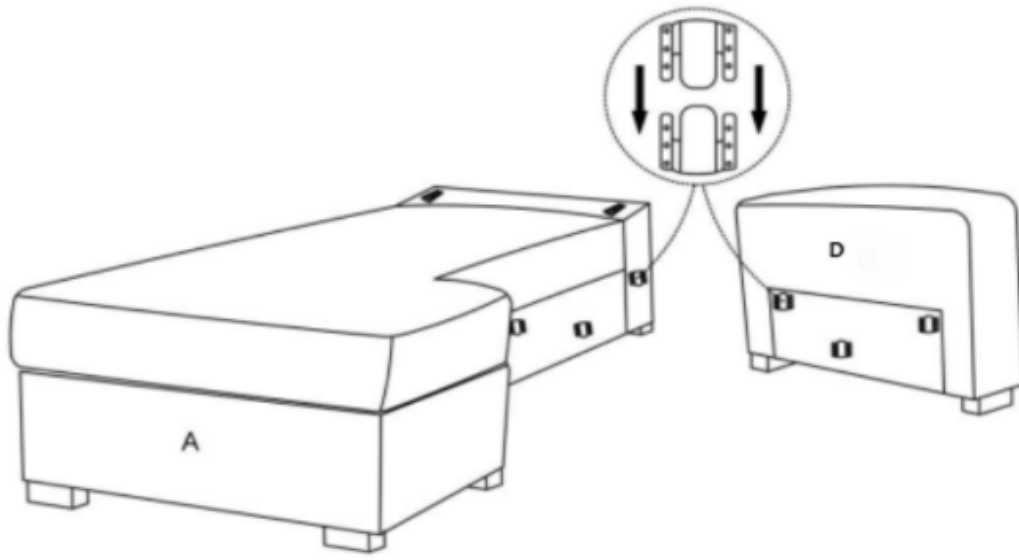
STEP 9



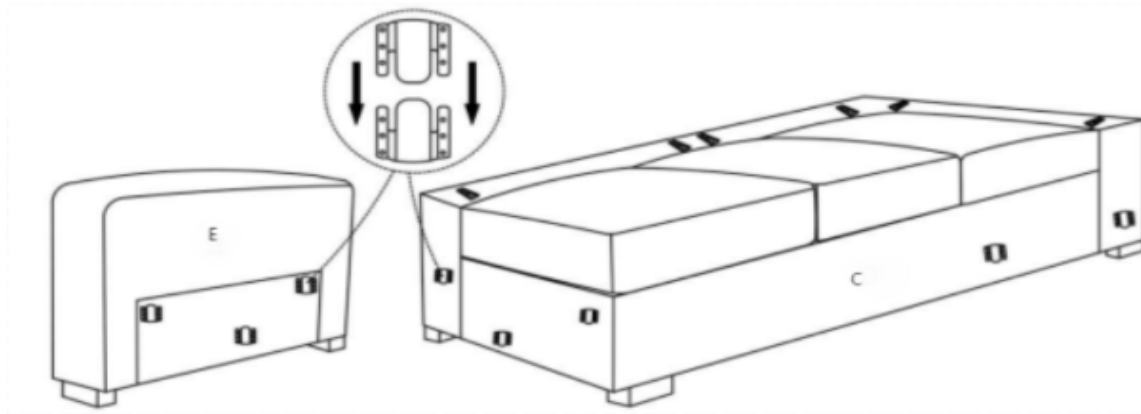
STEP 10



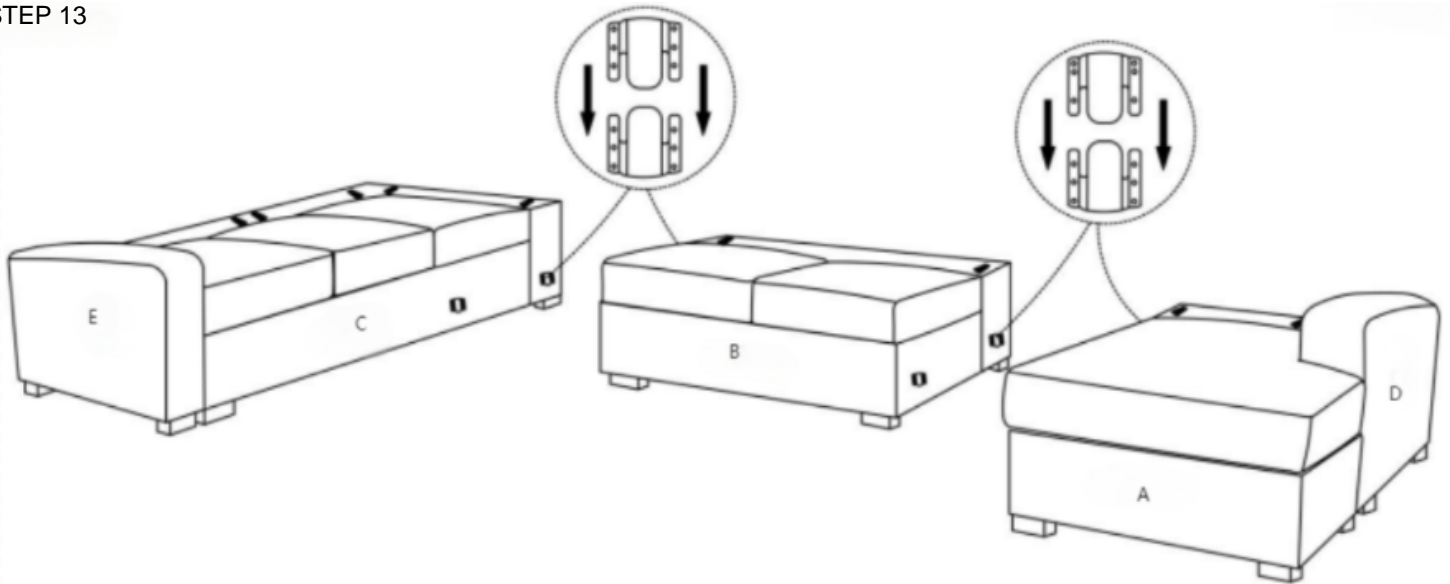
STEP 11



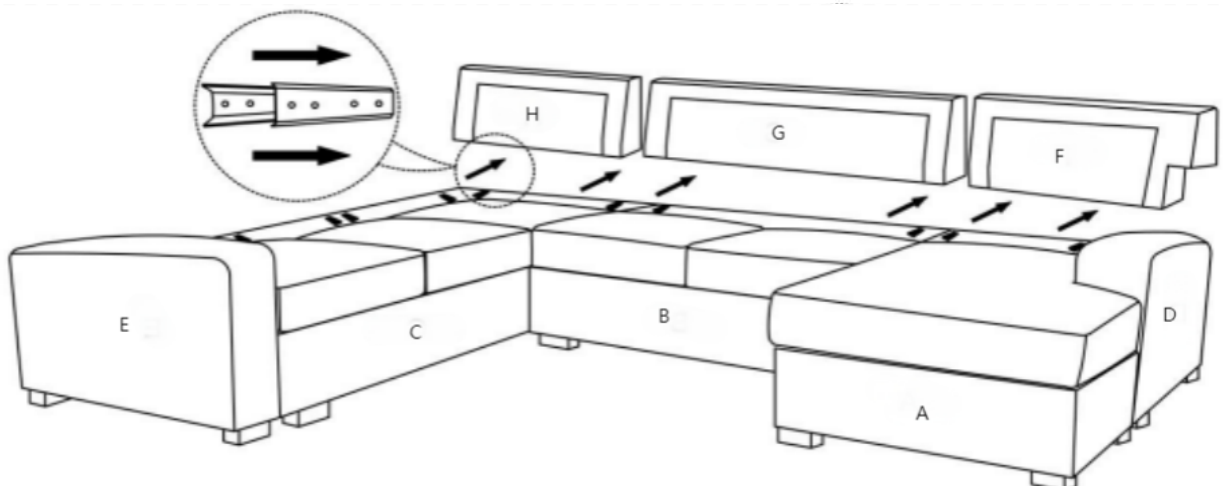
STEP 12



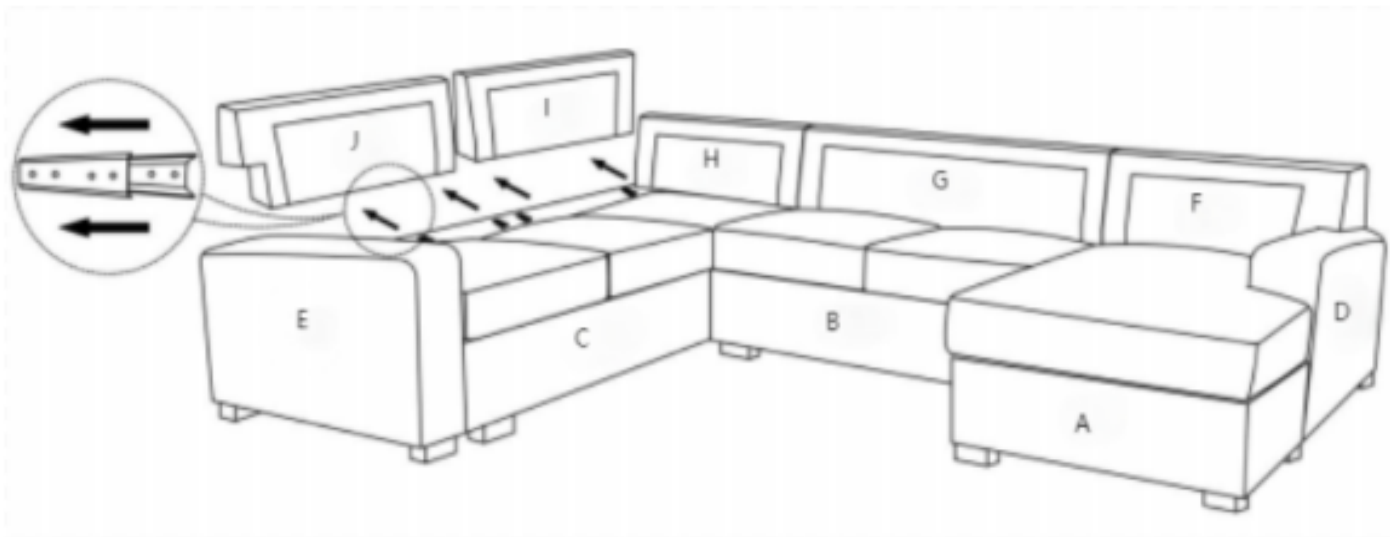
STEP 13



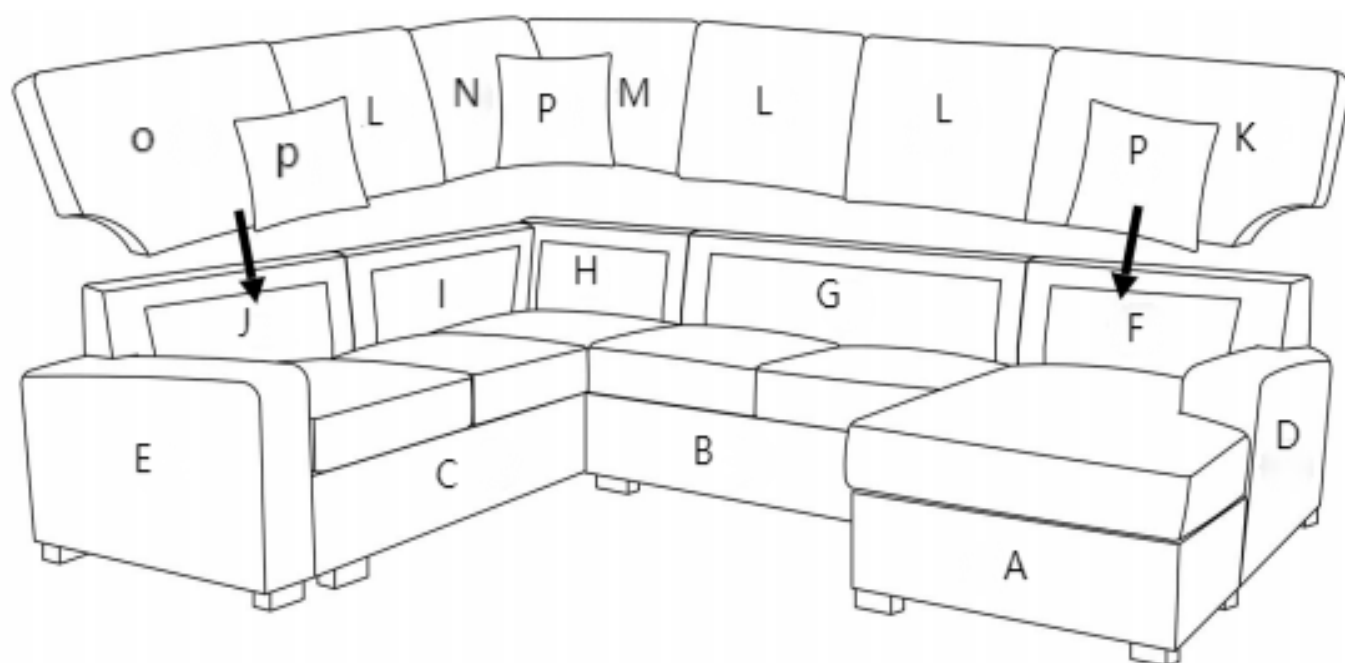
STEP 14



STEP 15



STEP 16



STEP 17

