


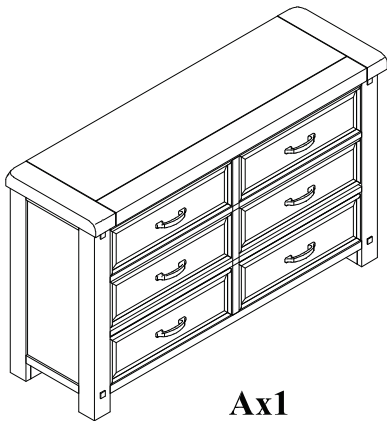
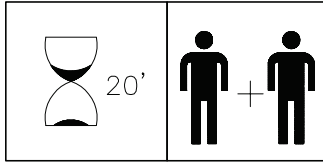


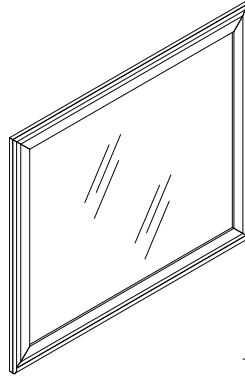
ASSEMBLY INSTRUCTIONS

WES - 6 Drawer dresser + Frame mirror

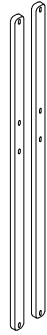
No.	Hardware	Q.ty
①	Bolts M6x35 	08
②	Washers M6xØ18 	08
③	Key K4 	01



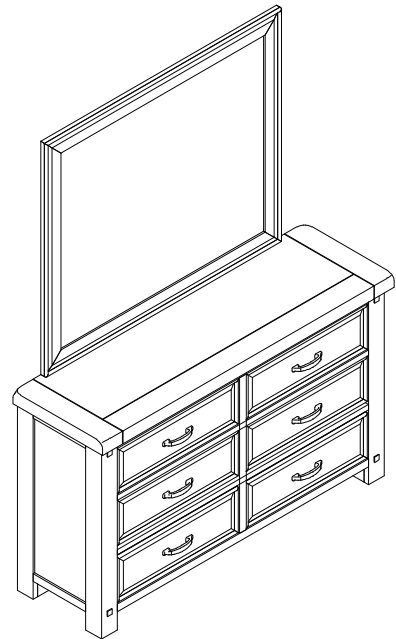
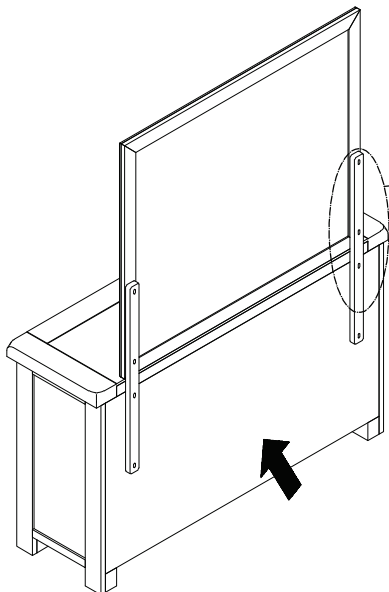
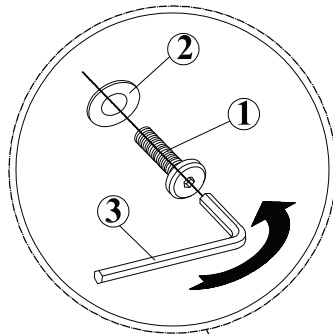
Ax1



Bx1



Cx2



FINISHED