

ASSEMBLY INSTRUCTIONS

DESCRIPTION : WESTDEN SUPER KING SIZE BED
*LIGHT GREY

MODEL : 821-118

NOTE :

MUST TIGHTEN SCREWS PERIODICALLY WITH USE SCREW WILL BECOME LOOSE. CHECK TIGHTNESS OF ALL SCREW EVERY 6-8 WEEKS.

REVISION : A

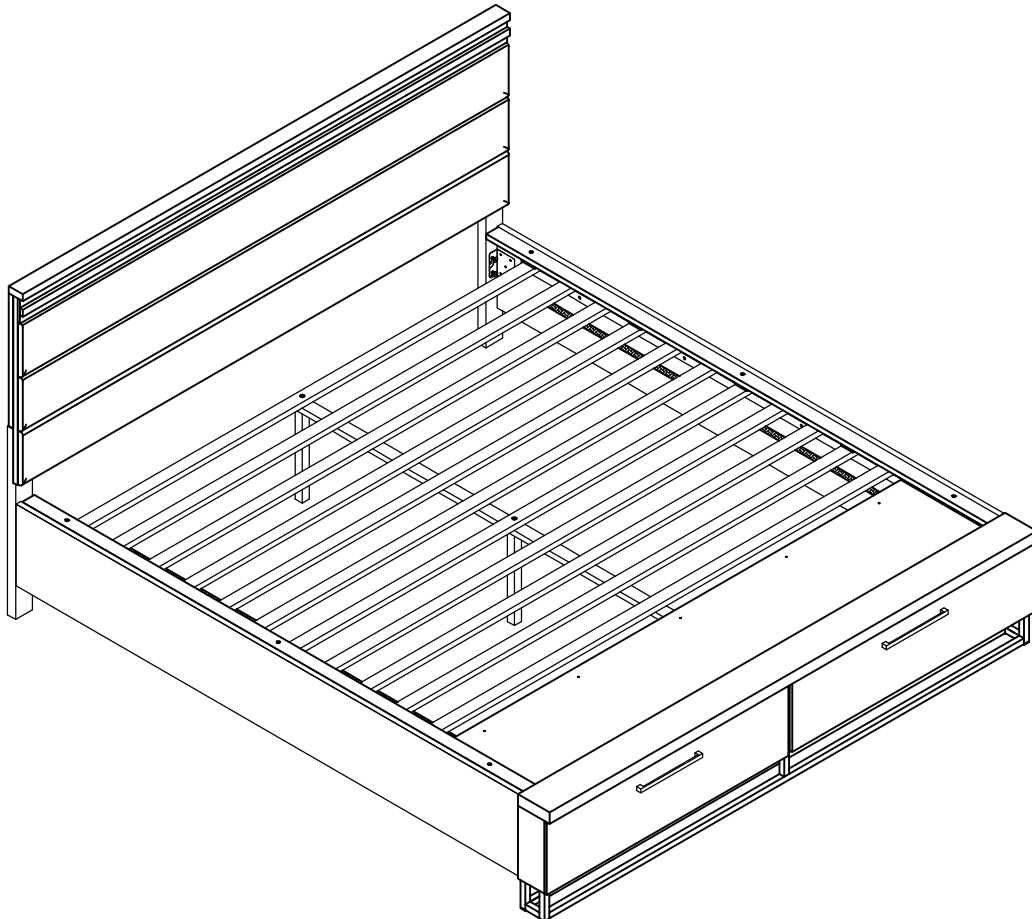
Component List		
Headboard & Footboard		
No	Descriptions	Qty
A	Headboard	1
B	Headboard Leg (L)	1
C	Headboard Leg (R)	1
D	Footboard	1
E	Drawer Frame	1
F	Drawer Frame Support	2
G	Drawer Support Leg Center	1
H	Bed Slat 3 Holes	3
I	Slat Roll (5pcs/roll)	2
J	Bed Slat Support	3
K	Slat Cover Panel	1

Component List		
Drawer		
No	Descriptions	Qty
O	Drawer	2

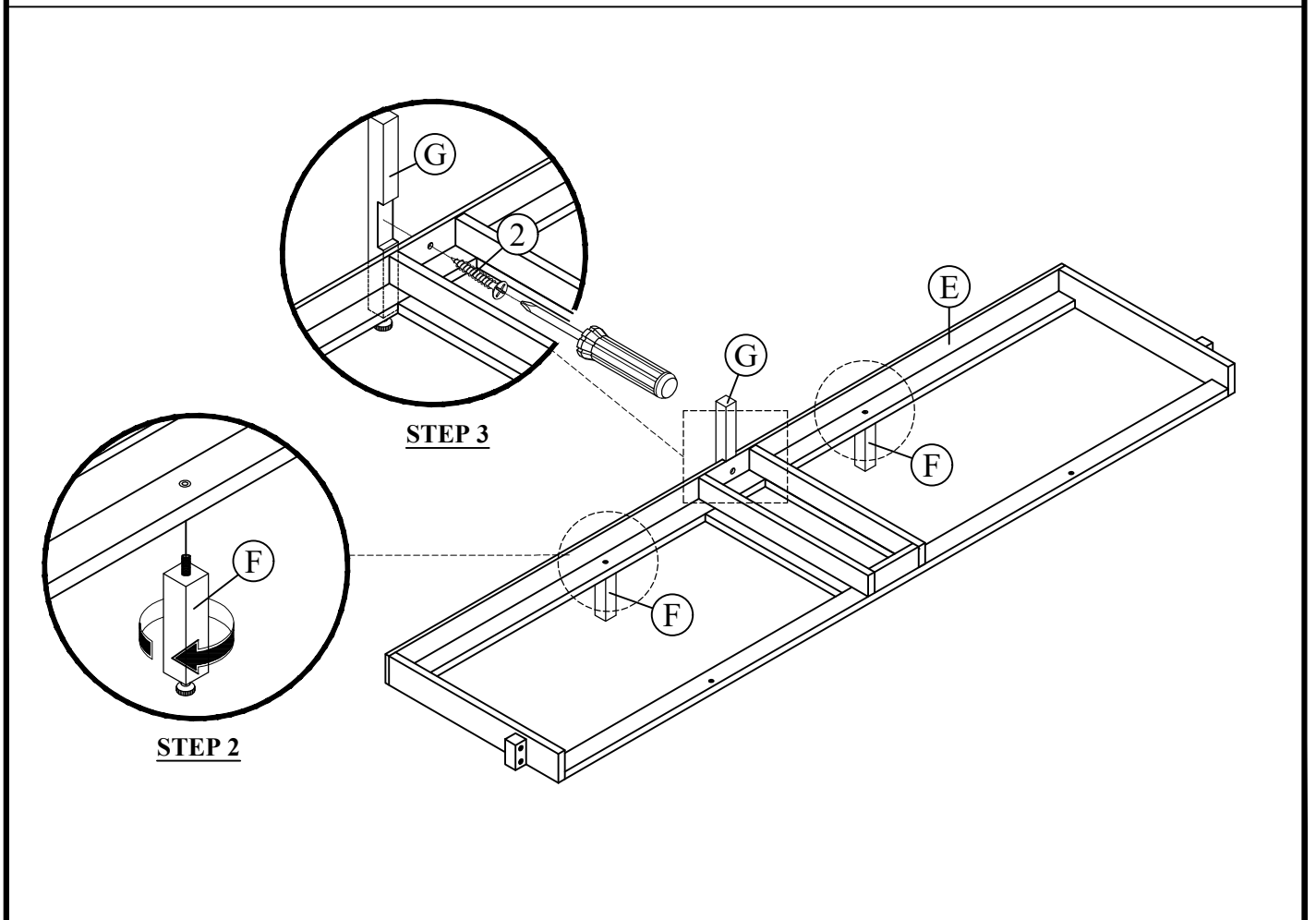
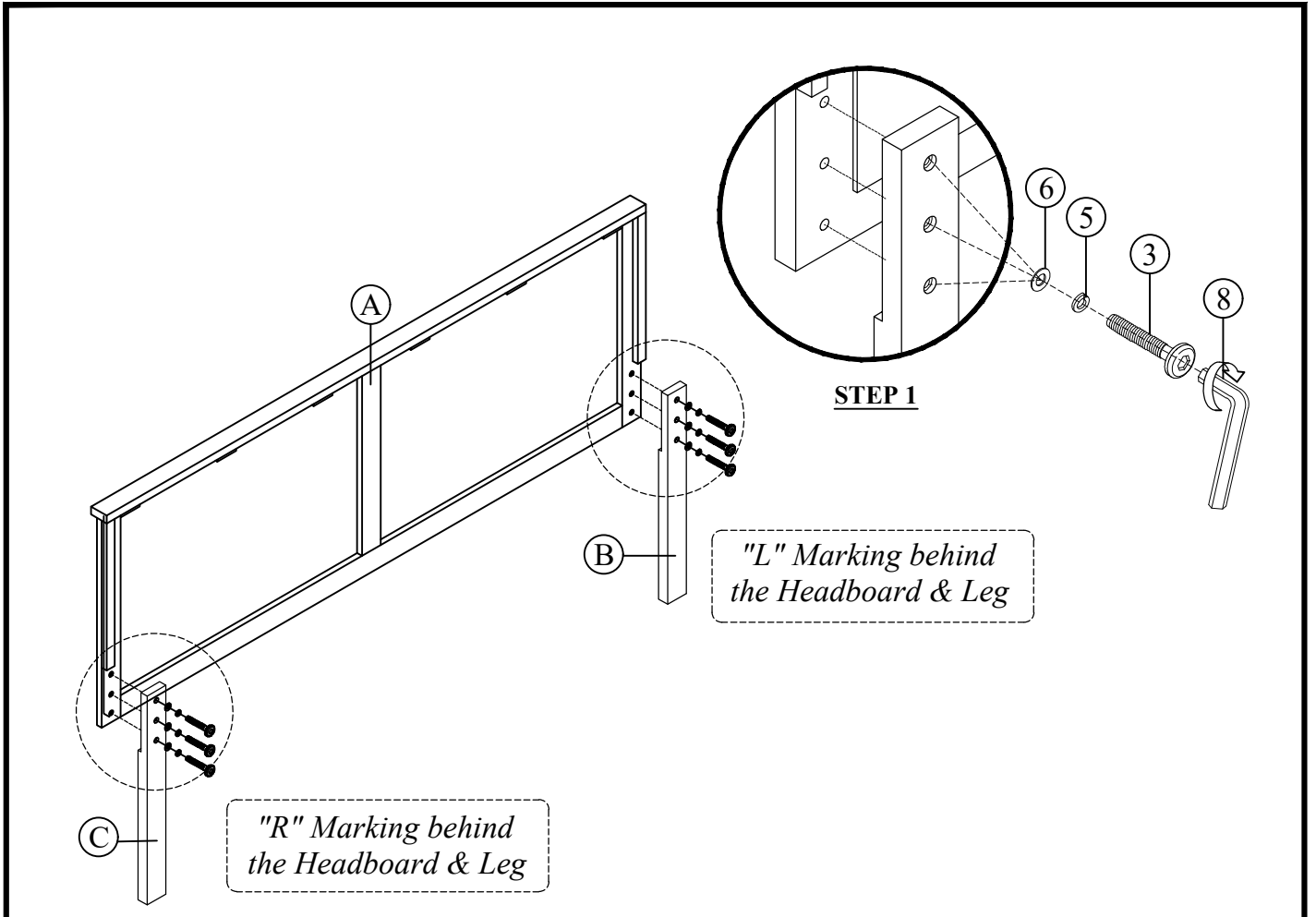
Hardware List In Headboard & Footboard		
No	Descriptions	Qty
1	CSK M4 x 16mm	5
2	CSK M4 x 32mm	29
3	JCBC M6 x 30mm	6
4	JCBC M6 x 50mm	7
5	Spring Washer Ø1/4"	10
6	Flat Washer Ø1/4" x 13mm	6
7	Flat Washer Ø1/4" x 20mm	4
8	L Key M4 x 65mm	1
9	L Key M5 x 65mm	1

Component List		
Side Rail		
No	Descriptions	Qty
L	Side Rail	2
M	Cross Slat	1
N	Cap Rail	1

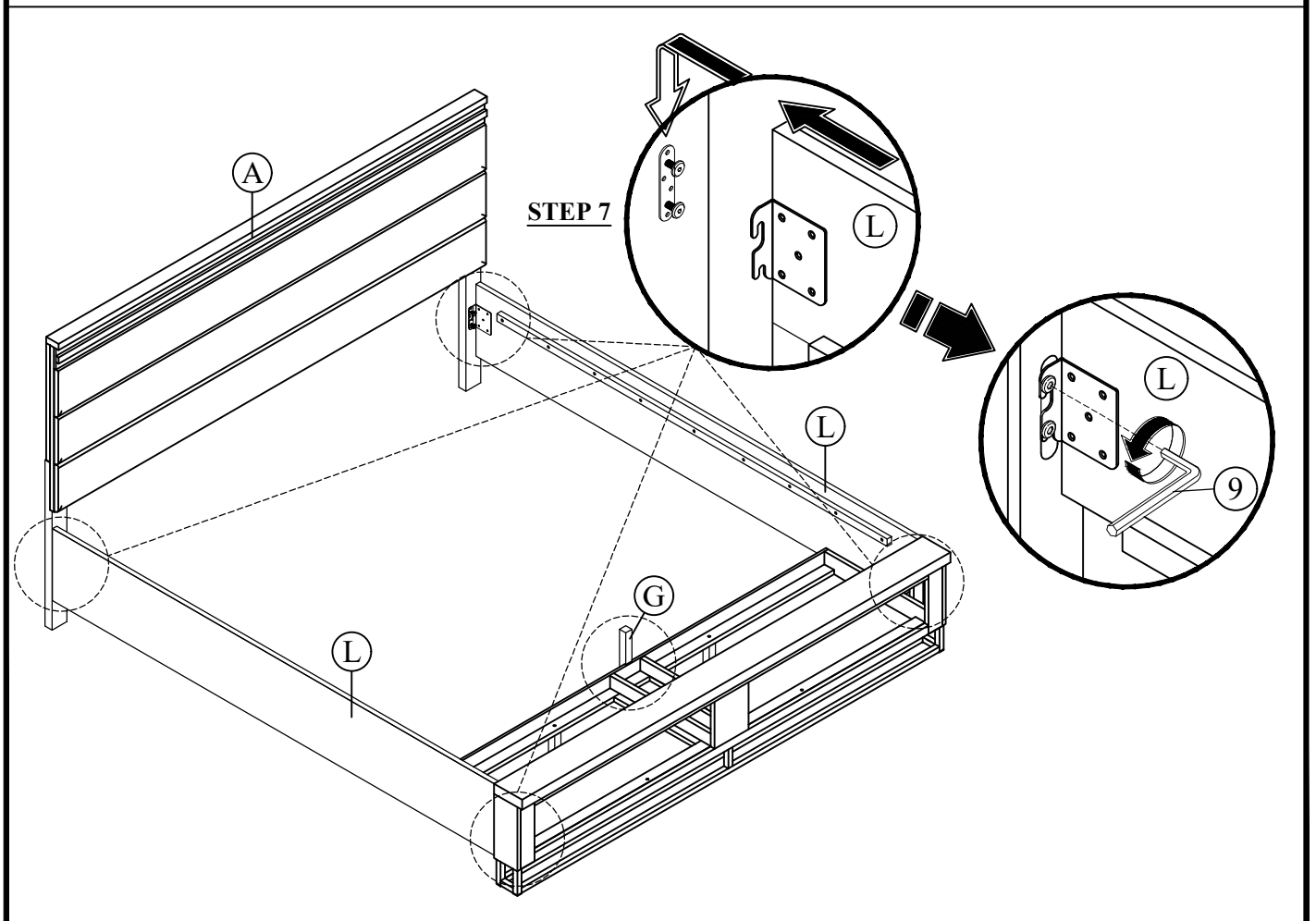
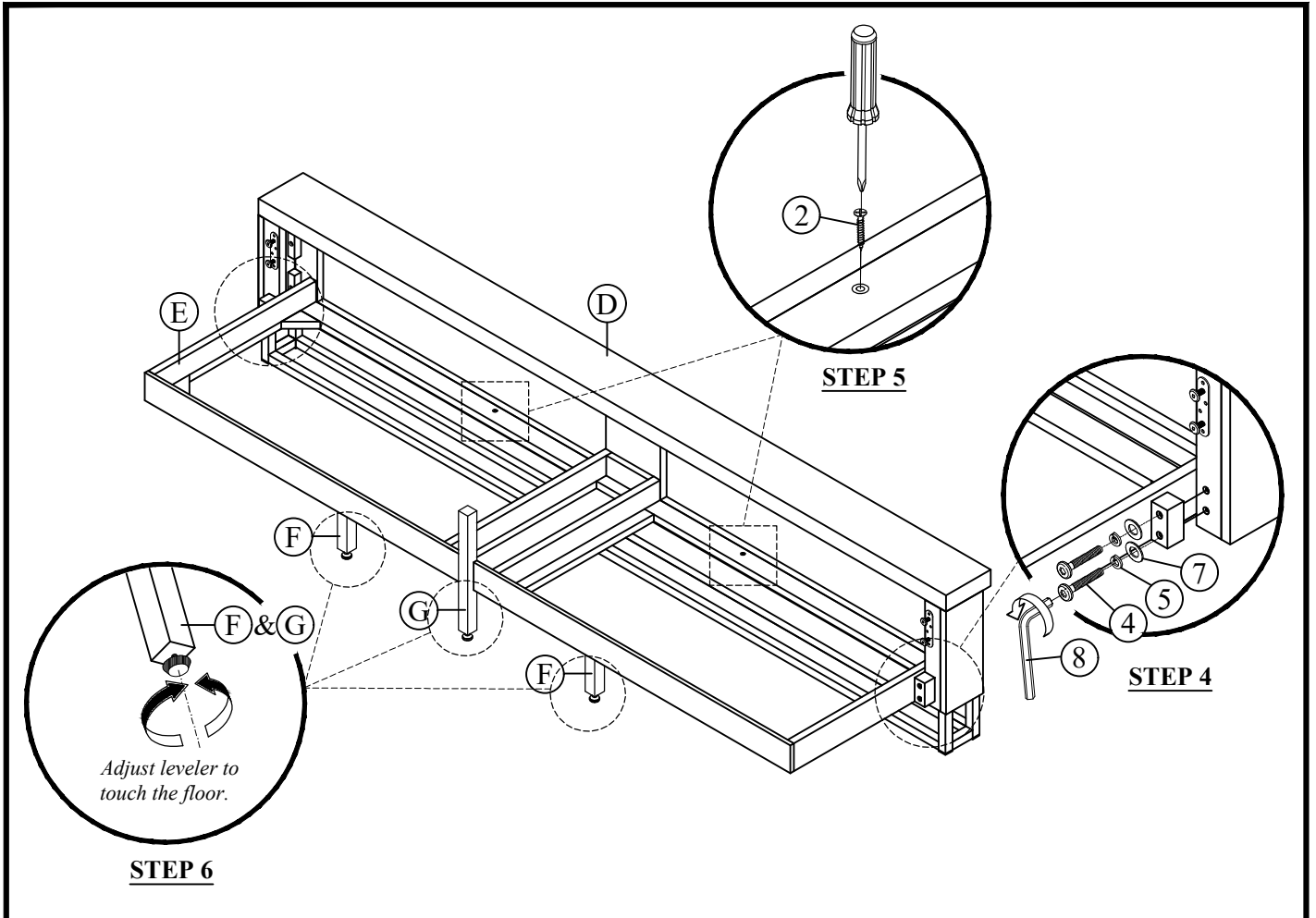
Hardware List In Side Rail		
No	Descriptions	Qty
10	PH Screw M4 x 38mm	6



ASSEMBLY INSTRUCTIONS



ASSEMBLY INSTRUCTIONS



ASSEMBLY INSTRUCTIONS

