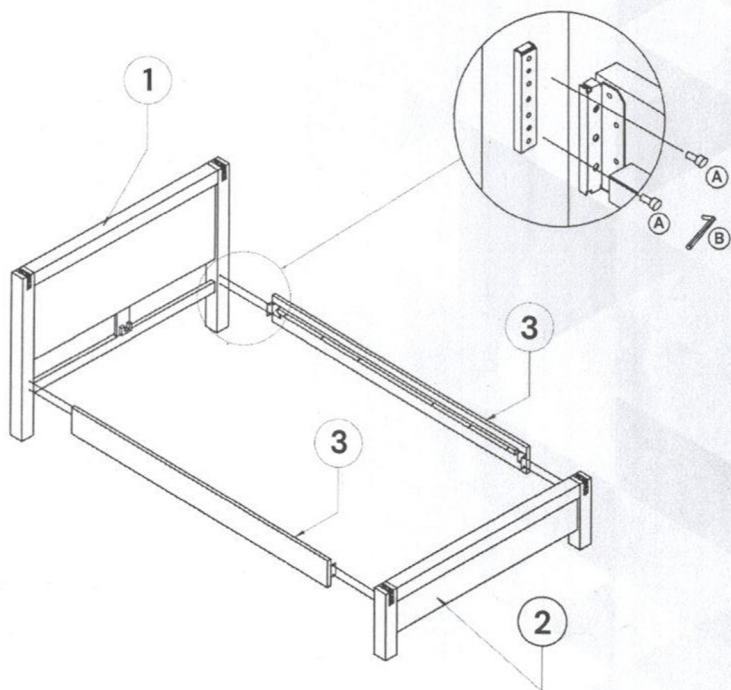


BED

ASSEMBLY INSTRUCTIONS

Step 1B (Rectangle Hook): Put hook first and then put 2x bolts for each siderail corner on. Tighten by turning in a clockwise direction with the supplied allen key.



BED

ASSEMBLY INSTRUCTIONS

Step 2: Fit each piece of slat wood into the wooden slotted frame on both sides of the siderail and your new bed is ready to use.

