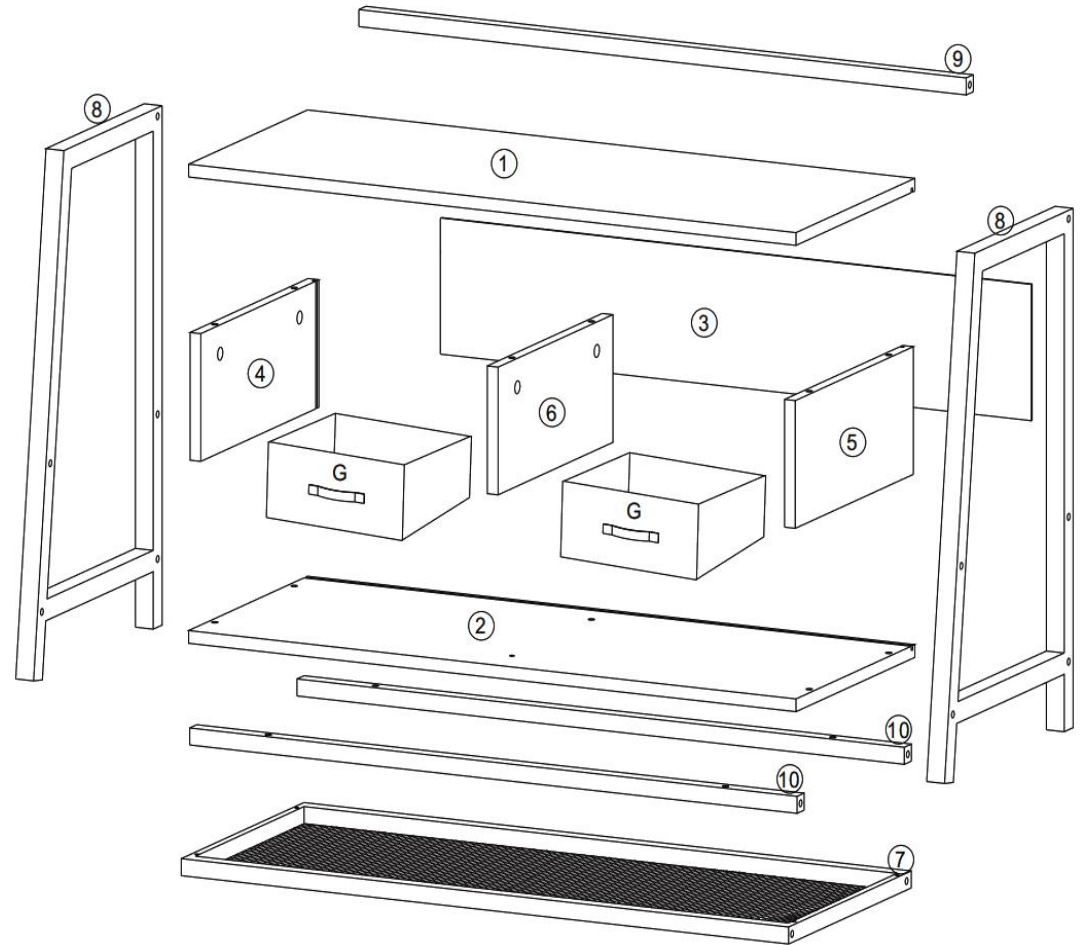
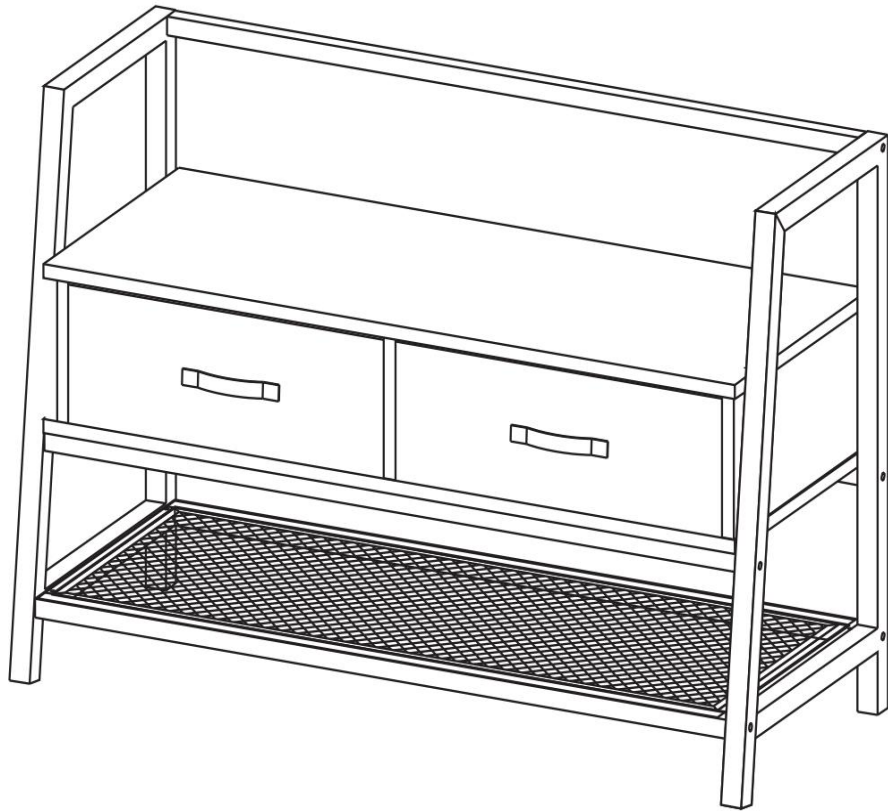


# SHOE BENCH ASSEMBLY INSTRUCTION

ITEM NO.: SBWD0101




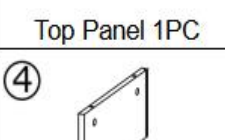
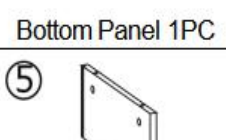
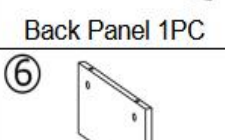
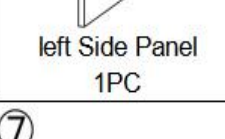

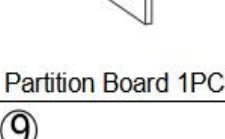





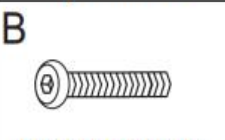
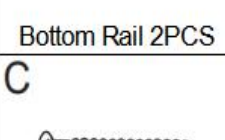
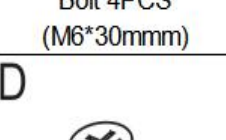
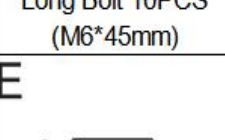
## SHOE BENCH



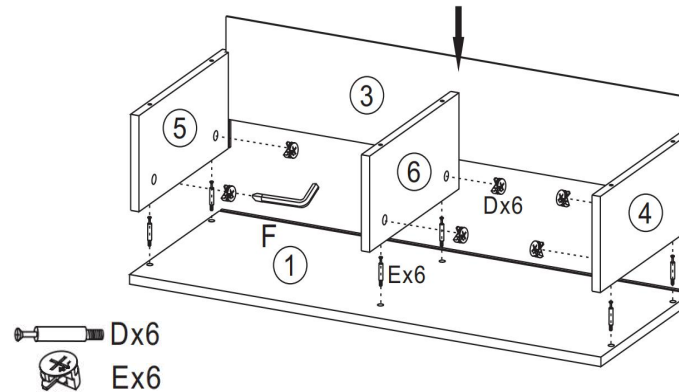
# SHOE BENCH ASSEMBLY INSTRUCTION

ITEM NO.: SBWD0101

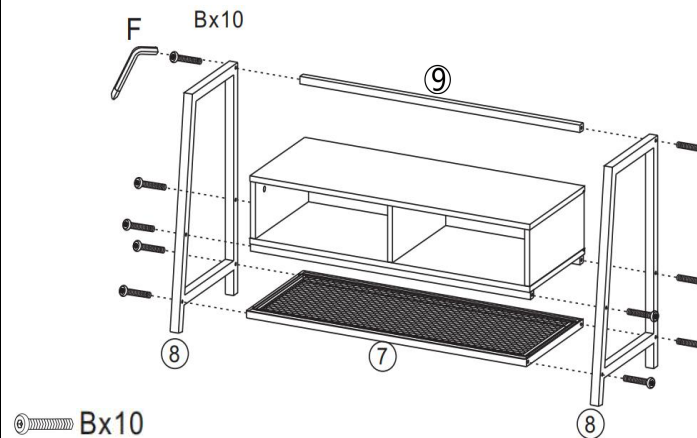
## Parts & Hardware

①  Top Panel 1PC	②  Bottom Panel 1PC	③  Back Panel 1PC
④  left Side Panel 1PC	⑤  Right Side Panel 1PC	⑥  Partition Board 1PC
⑦  Mesh Shelf 1PC	⑧  Side Frame 2PCS	⑨  Top Rail 1PC
⑩  Bottom Rail 2PCS	A  Bolt 4PCS (M6*30mm)	B  Long Bolt 10PCS (M6*45mm)
C  Screw 6PCS (ø7*38mm)	D  Cam Lock 6PCS	E  Cam Bolt 6PCS (M6*40mm)
F  Allen Key 1PC	G  Drawer 2PCS	

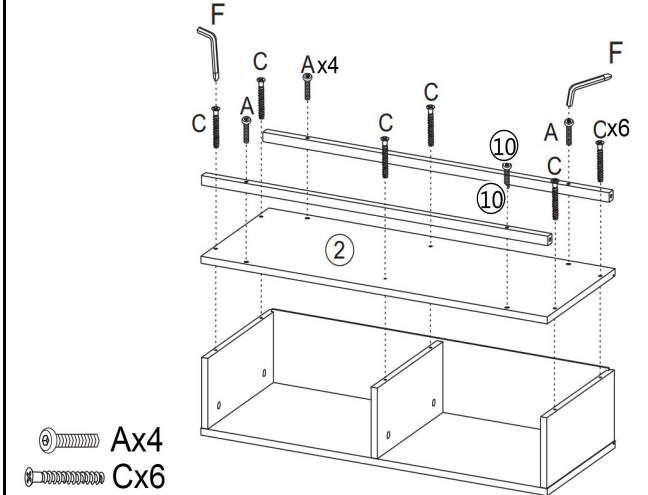
Step 1: Lay the Top Panel(①) on a clean smooth surface such as carpet or cardboard. Attach the Side Panel(④&⑤) and Partition Board(⑥) to Top Panel(①) by inserting six Cam Bolts(E) and Cam Locks(D), and make sure all Cam Locks(D) on panels insert into corresponding hole, tighten with supplied Allen Key(F). Do not fully tighten all bolts until all parts are in place. Then insert the Back Panel(③) into the groove of the Side Panel(④&⑤).



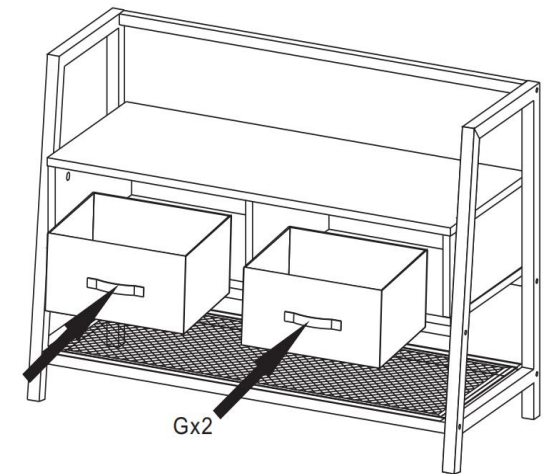
Step 3: With the help of another person, gently turn over the assembled parts, as shown. Attach the Top Rail(⑨), assembled parts and Mesh Shelf(⑦) to two Side Frames(⑧), from top to bottom by inserting ten Long Bolts(B), tighten with supplied Allen Key(F). Do not fully tighten all bolts until all parts are in place.



Step 2: Attach the Bottom Panel(②) to assembled parts by inserting six Screws(C) as shown. And attach two Bottom Rails(⑩) to Bottom Panel(②) by inserting four Bolts(A), tighten with supplied Allen Key(F). Do not fully tighten all bolts until all parts are in place.



Step 4: Check and fully re-tighten all bolts, then put in two Drawers(G). Assembly is completed!



# SHOE BENCH ASSEMBLY INSTRUCTION

ITEM NO.: SBXWD0101

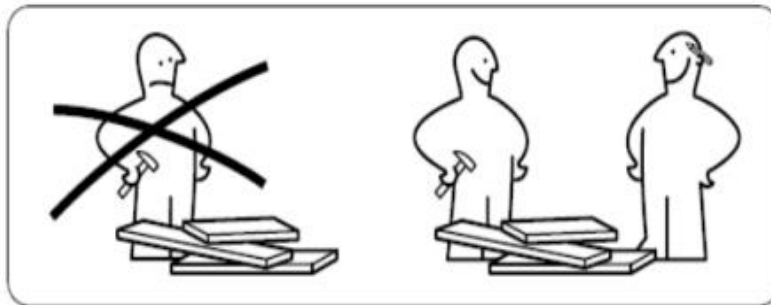
Thank you for purchasing our **Shoe Bench**. Be sure to check all packing material carefully for small parts that may have come loose inside the carton during shipment.

## PRE-ASSEMBLY

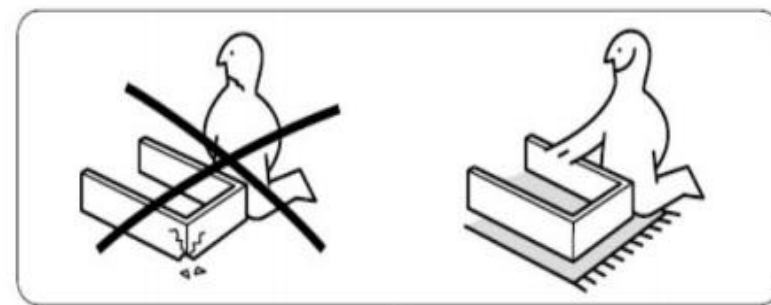
- (1) Proper assembly of this item requires 2 people.
- (2) Do not dispose of any contents until assembly is completed to avoid accidentally discarding small parts or hardware.
- (3) Remove all parts and hardware from box and lay out on a carpeted or scratch-free work surface, such as the cardboard, as this will avoid damaging any parts during assembly.
- (4) Do not fully tighten all bolts until all parts are in place. Failure to follow these instructions may cause the bolts to misalign during assembly.

## CARE INSTRUCTIONS

- (1) Hardware may loosen overtime. Periodically check that all connections are tight.
- (2) Wipe with a soft, dry cloth. To protect finish, avoid the use of chemicals and household cleaners.
- (3) All hot serving dishes should be placed on a pad.
- (4) Any liquid spilled onto the furniture should be cleaned up immediately with a damp cloth.



Proper assembly of this item requires 2 people



When assembling, please place it on a clean and smooth floor, such as carpet or cardboard.