
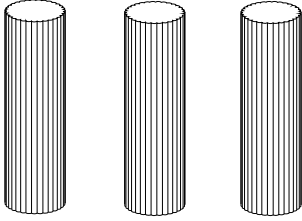


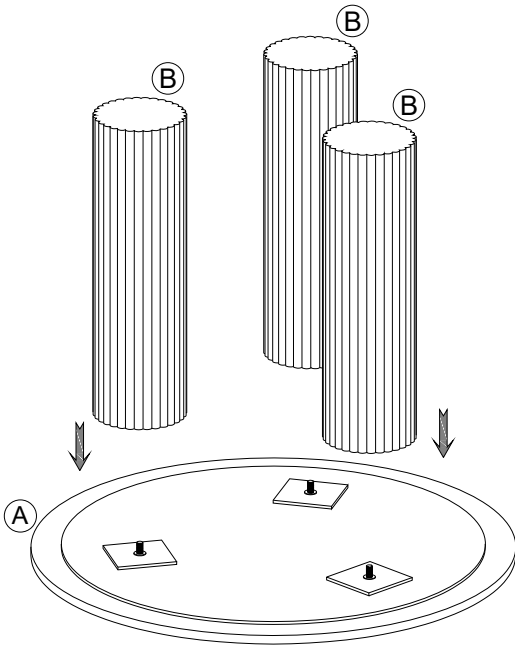
ASSEMBLY INSTRUCTIONS

Part List

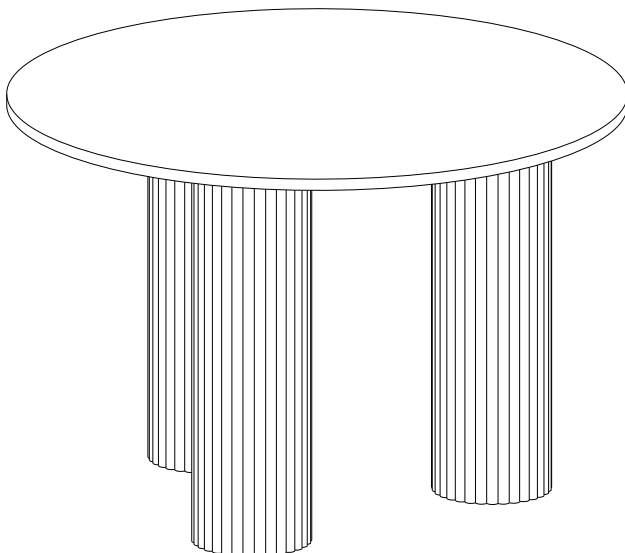
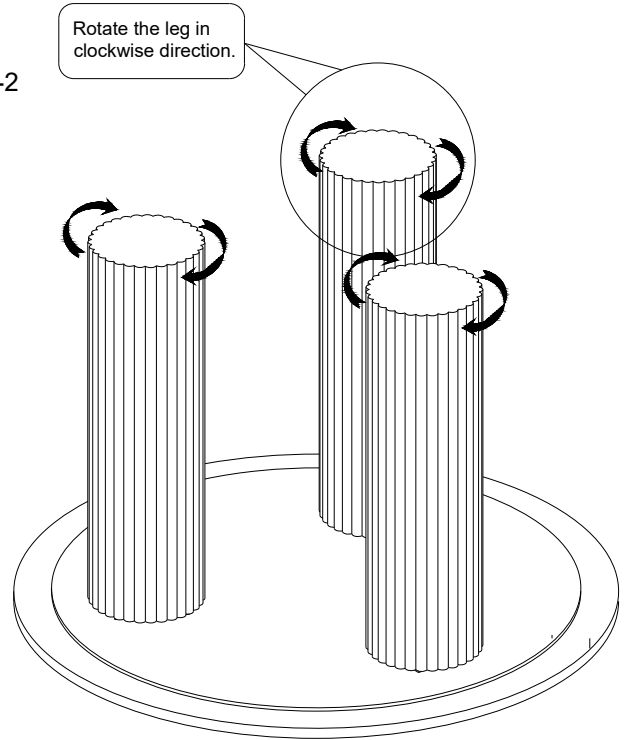
ITEM CODE : 281-003

Label	Picture	Description	Qty.
A.		TOP	1 Pcs.
B.		LEG	3 Pcs.

STEP-1



STEP-2



COMPLETELY ASSEMBLED