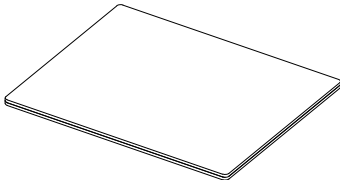
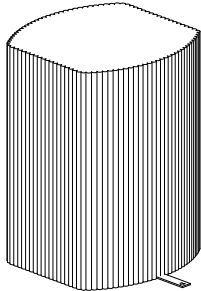


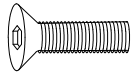


ASSEMBLY INSTRUCTIONS

Part List

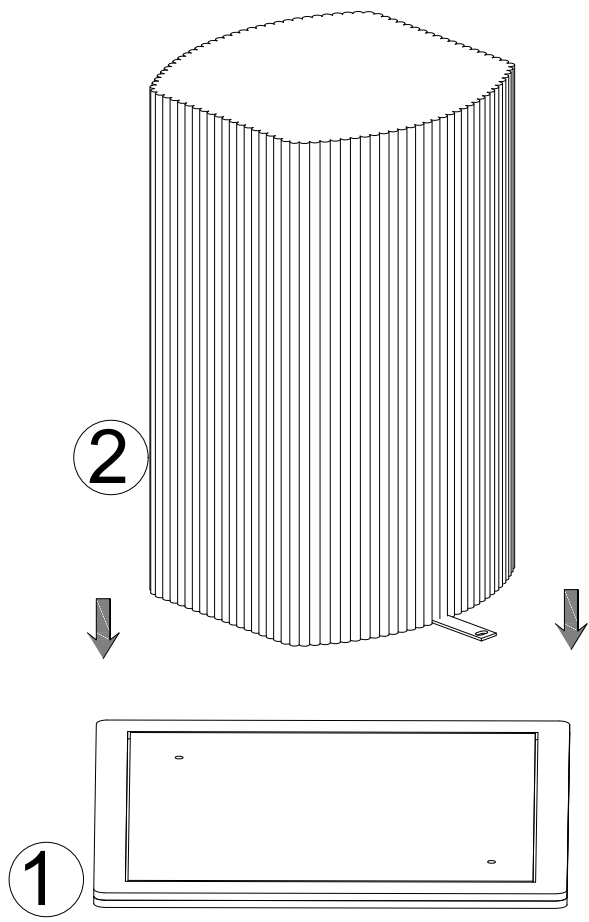
ITEM CODE-281-019

| Label | | Description | Qty. |
|-------|---|-------------|-------|
| 1. |  | TOP | 1 Pc. |
| 2. |  | LEG | 1 Pc. |

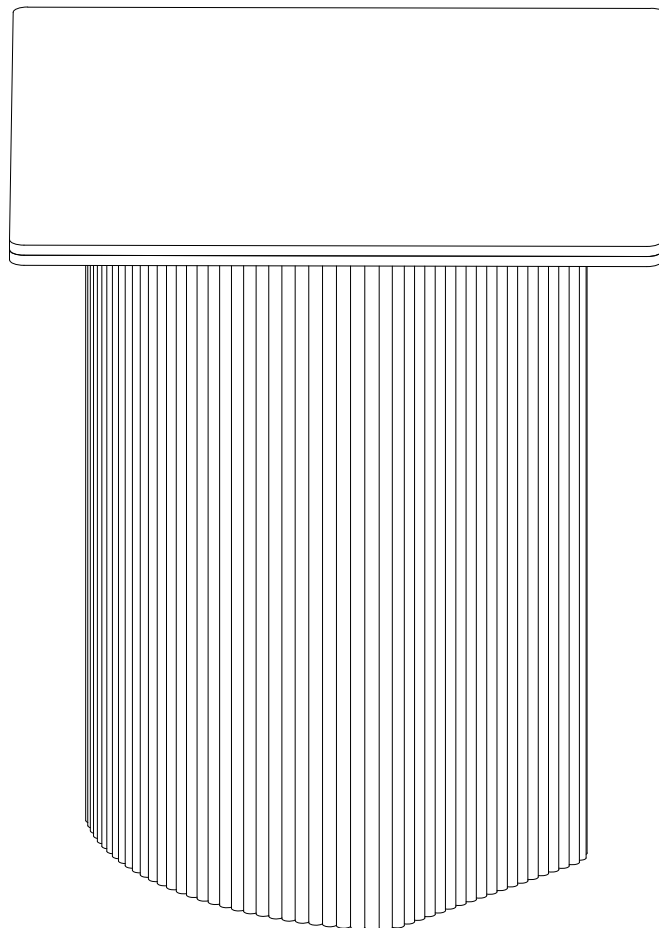
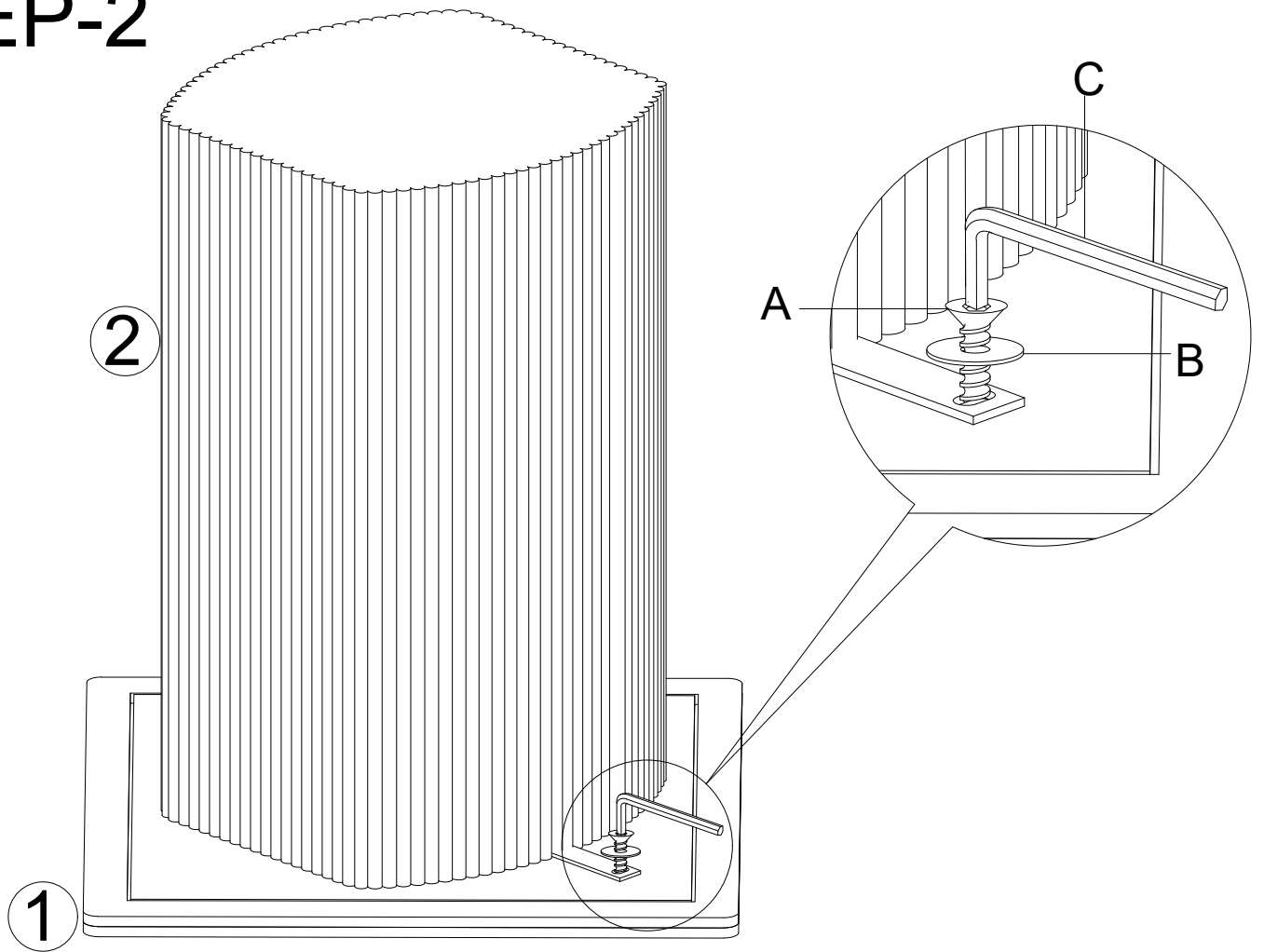
HARDWARE LIST :

| Label | Picture | Description | |
|-------|---|-------------|--------|
| A |  | ALLEN BOLT | 2 Pcs. |
| B |  | WASHER | 2 Pcs. |
| C |  | ALLEN KEY | 1 Pc. |

STEP-1



STEP-2



COMPLETELY ASSEMBLED