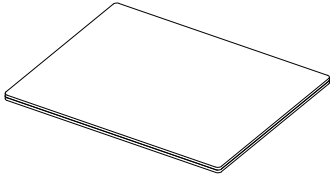
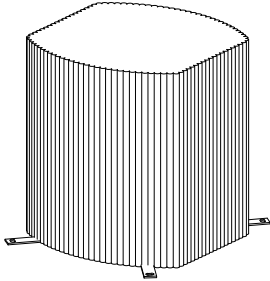


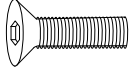


# ASSEMBLY INSTRUCTIONS

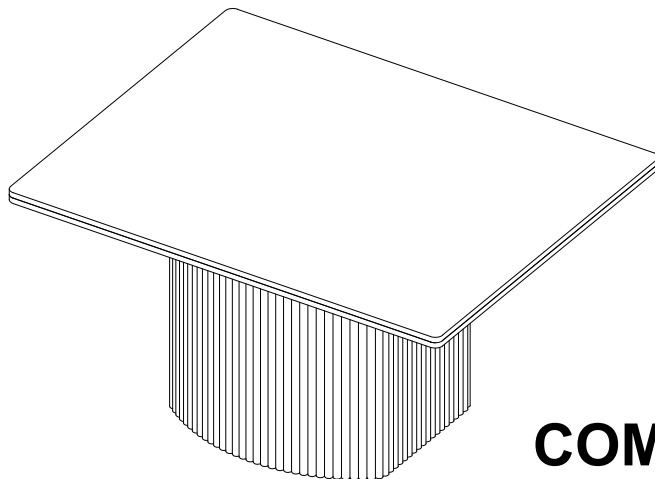
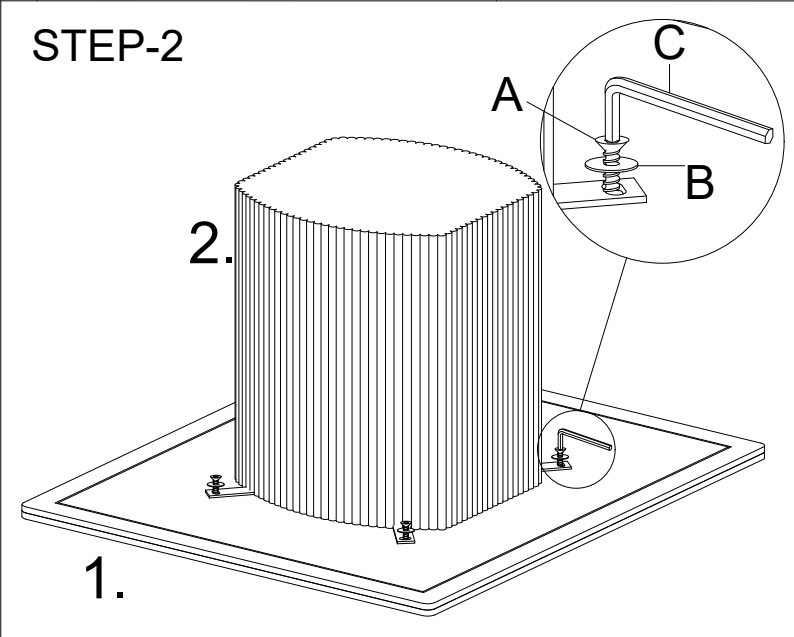
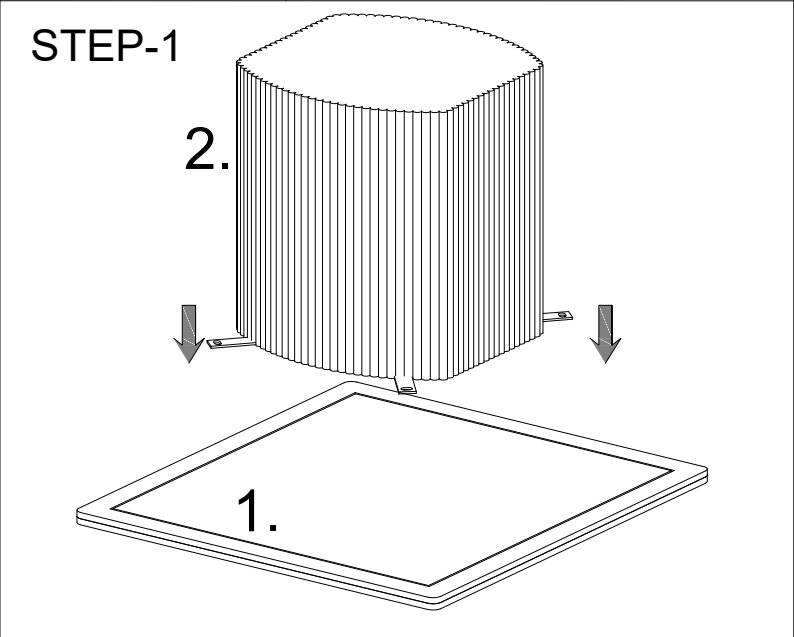
Part List

**ITEM CODE-281-020**

Label	Description	Qty.
1.		1 Pc.
2.		1 Pcs.

**HARDWARE LIST :**

Label	Picture	Discription	Qty.
A		ALLEN BOLT	4 Pcs.
B		WASHER	4 Pcs.
C		ALLEN KEY	1 Pc.



**COMPLETELY ASSEMBLED**