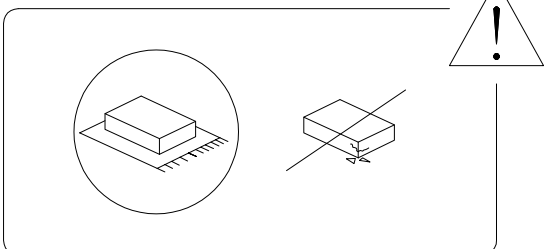
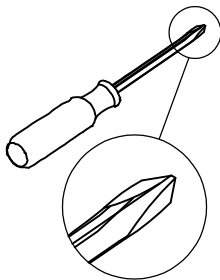
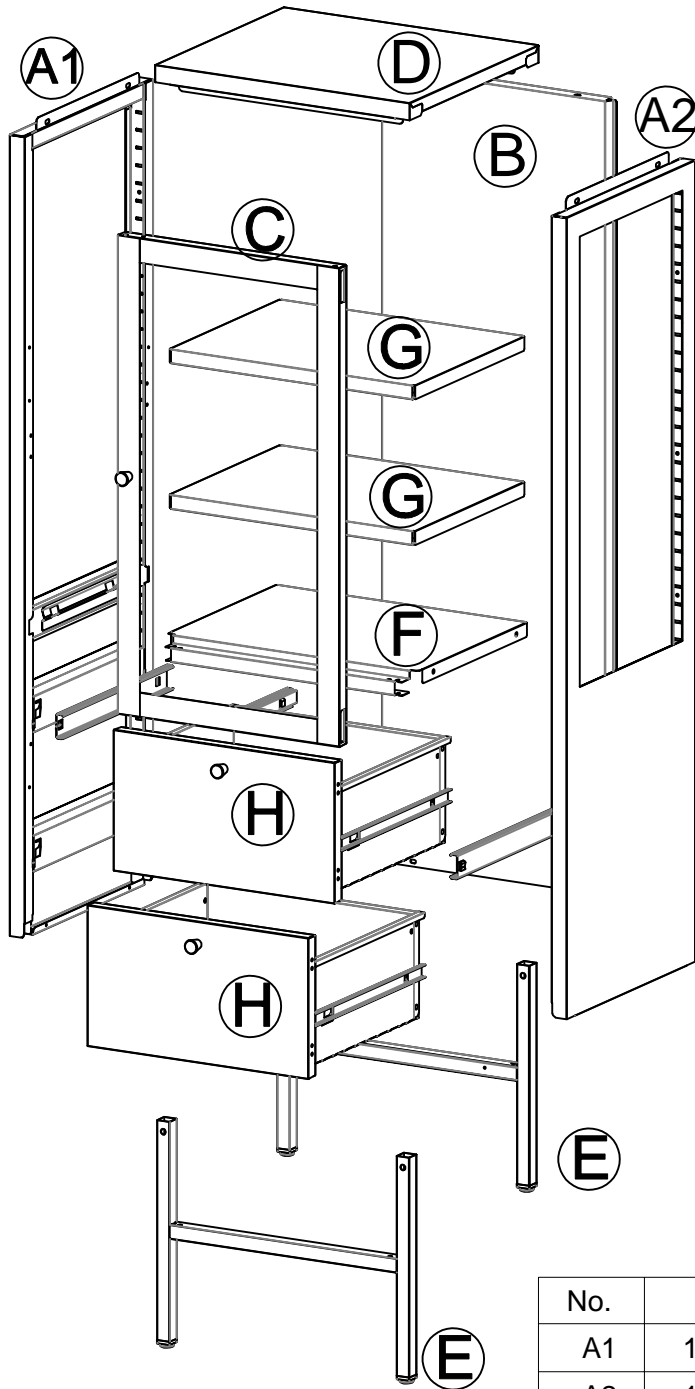


30'

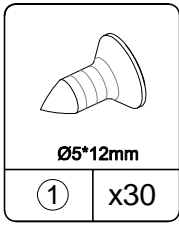


2

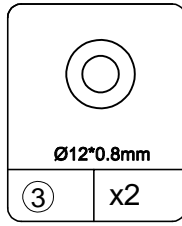
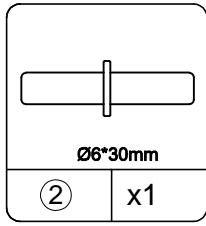


Hardware	Ctn No.
	1

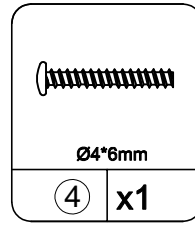
No.	Size	Qty
A1	1130x350x24mm	1
A2	1130x350x24mm	1
B	1120x351x23mm	1
C	681x349x20mm	1
D	401.5x352x38mm	1
E	300x397x20mm	2
F	376x302.5x32mm	1
G	386x300x20mm	2
H	348x196.5x20mm	2
I	623x320x20mm	2
J	323x149x15mm	2



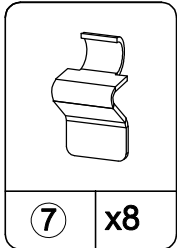
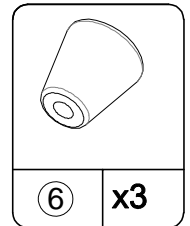
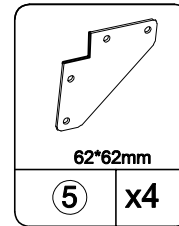
spare:2



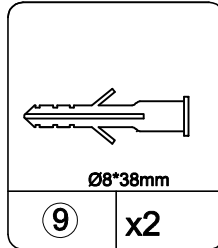
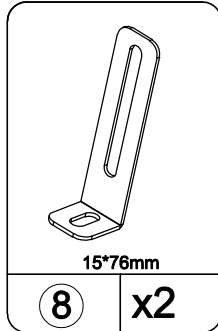
spare:1



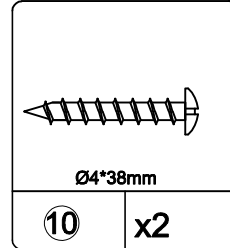
spare:1



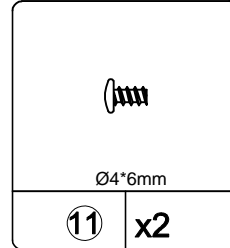
spare:2



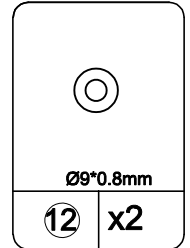
WALL ANCHOR



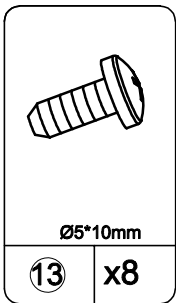
SCREW



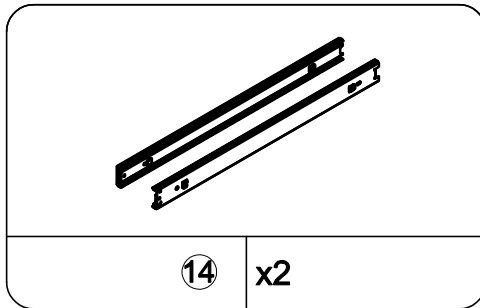
spare:1



spare:1

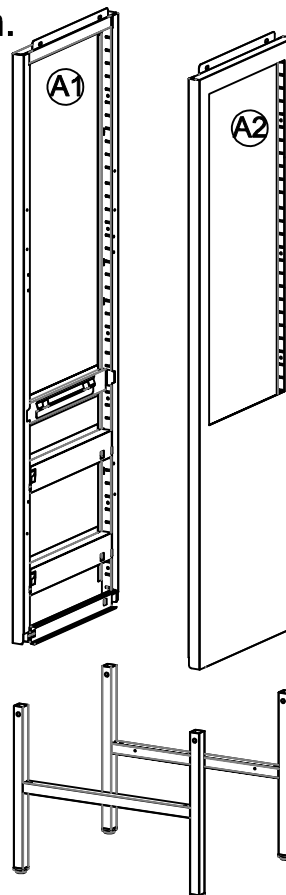
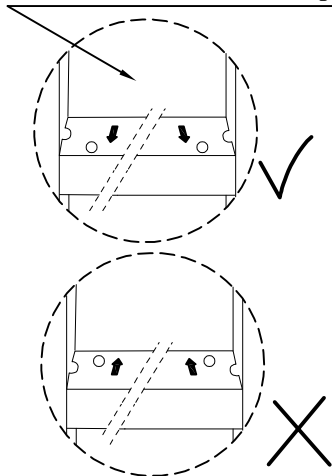


spare:2



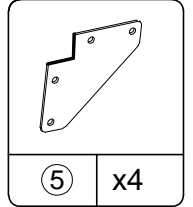
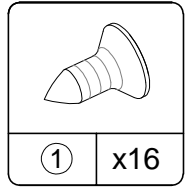
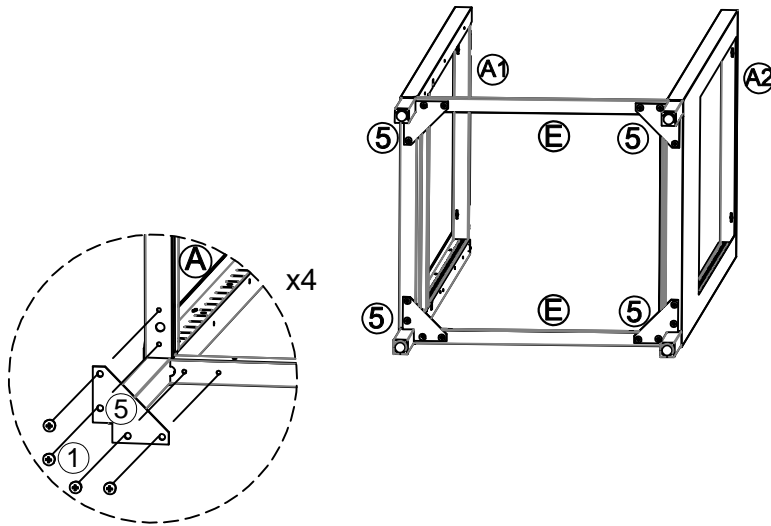
(1) - Attach (A) to (E) as below shown.

Make sure the holes are nearest to outside otherwise will affect door assembling.

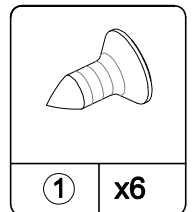
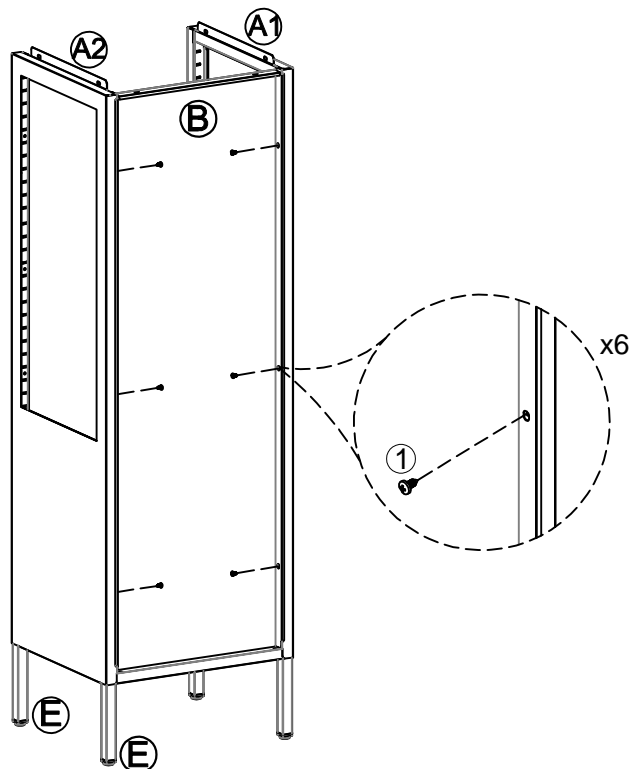


The plastic foot cover face down

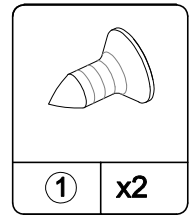
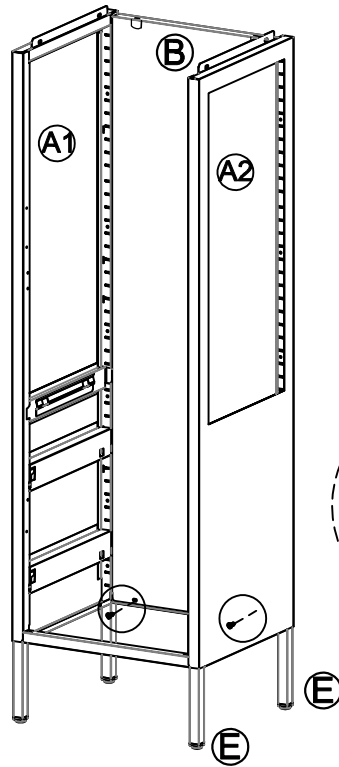
(2) - Attach ⑤ to (A)&(E) as below shown.



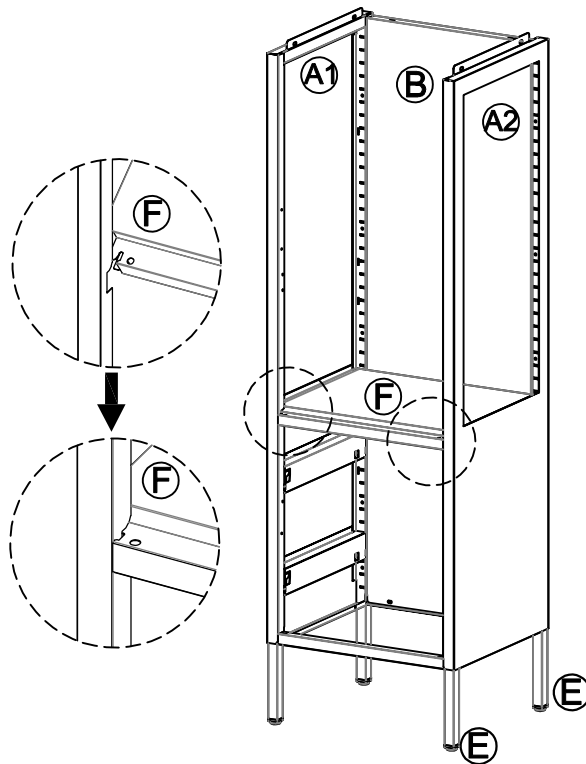
(3) - Attach (B) to (A) as below shown.



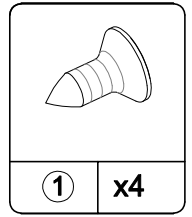
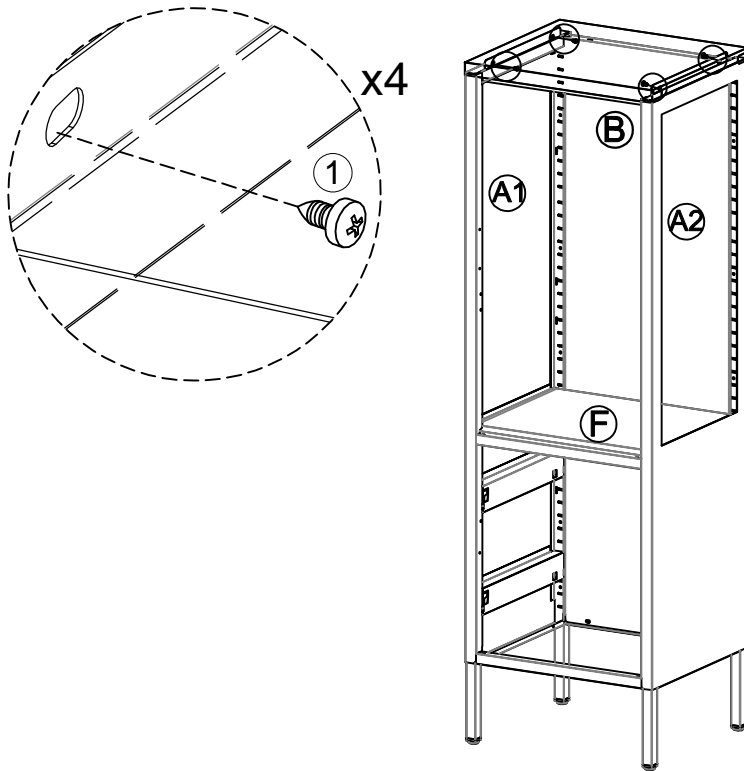
(4) - Attach (B) to (A) & (E) as below shown.



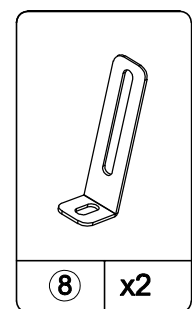
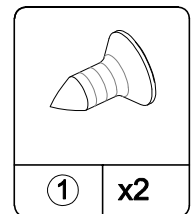
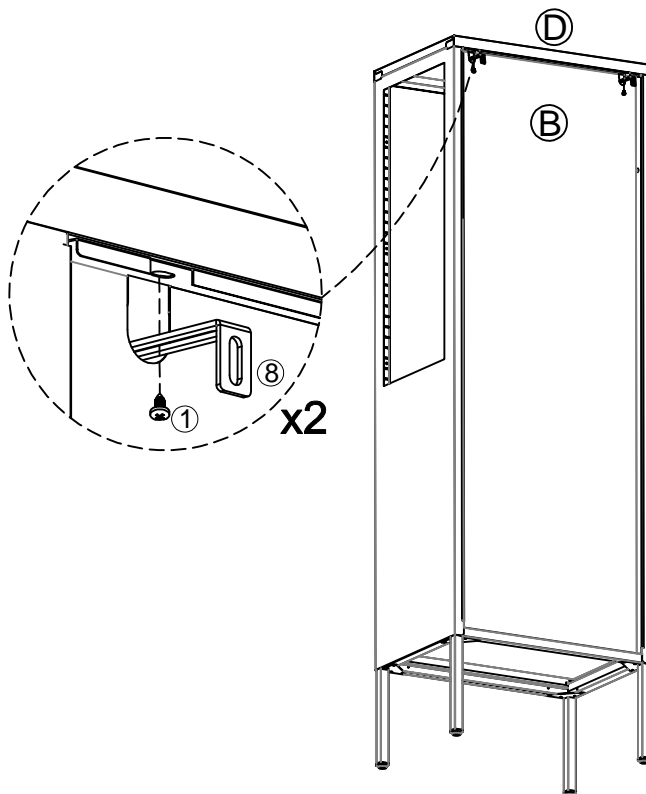
(5) - Attach (F) to (A) & (B) as below shown.



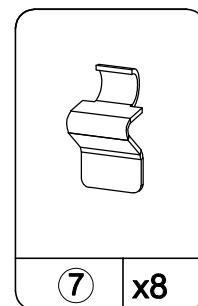
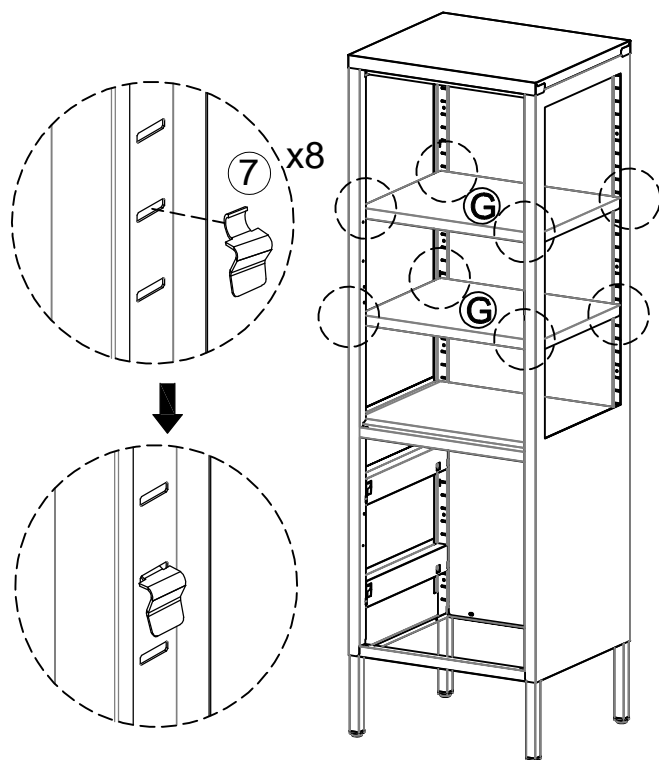
(6) - Attach (D) to (A) as below shown.



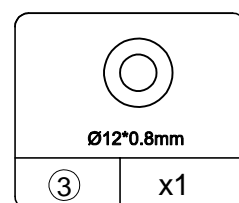
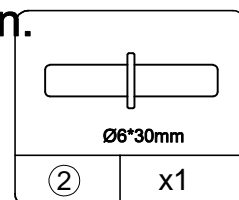
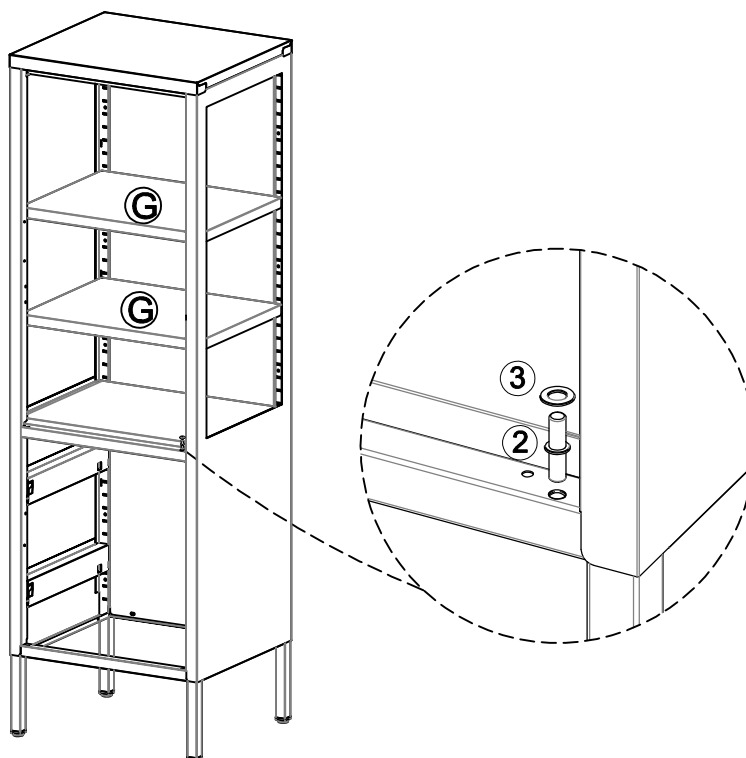
(7) - Attach (D) to (B) as below shown.



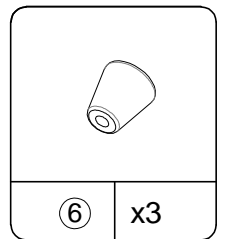
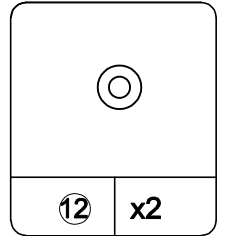
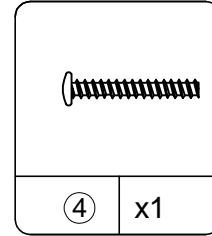
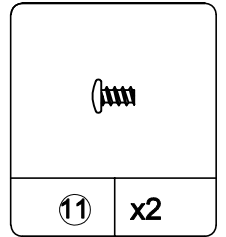
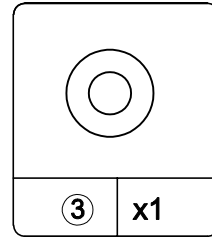
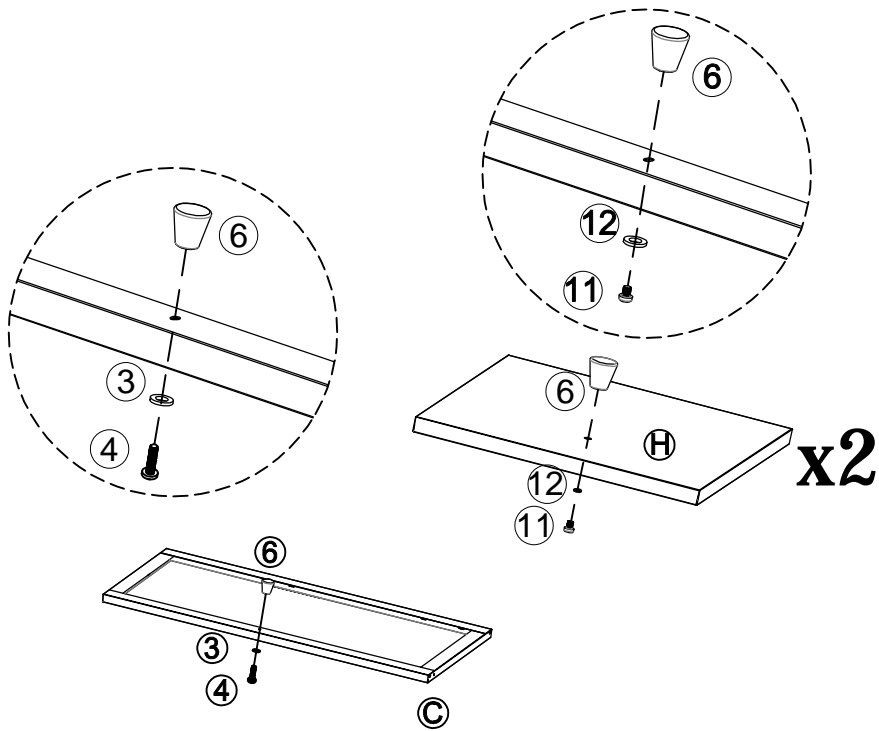
(8) - Attach (G) to pre-assembled unit as below shown.



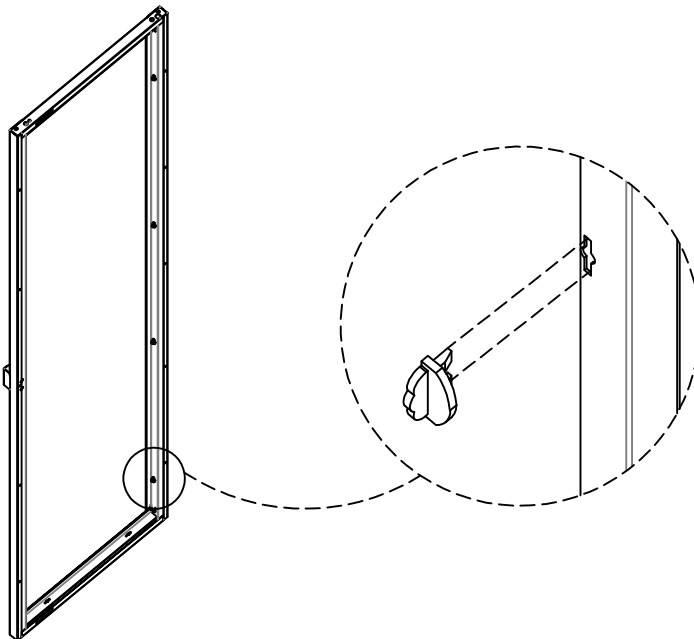
(9) - Attach (2) & (3) to pre-assembled unit as below shown.



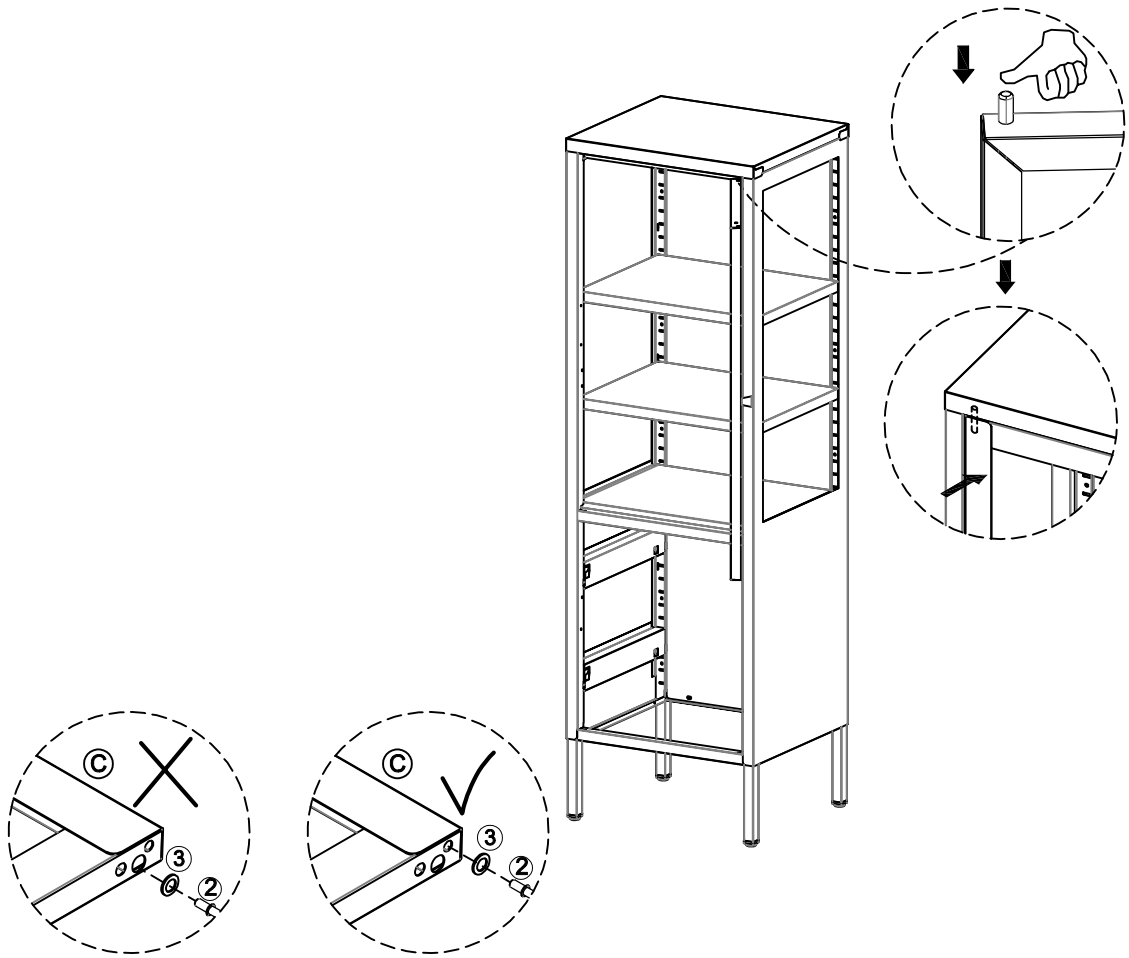
(10)- Attach (6) to (C) & (H) as below shown.



spare parts of glass buckle



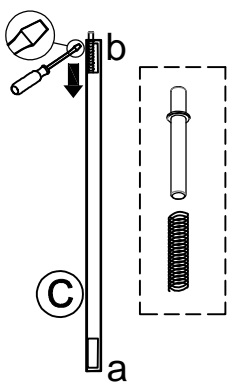
(11) - Attach (C) to pre-assembled unit as below shown.



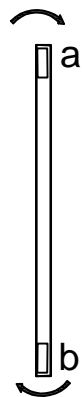
door pillar exchange process

WARNING

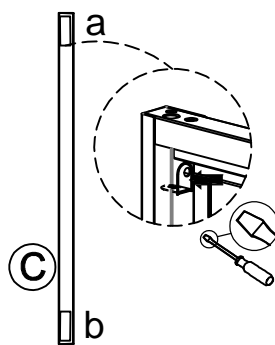
This step is just to switch the left door to the right door!



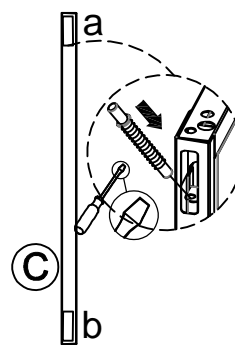
STEP 1



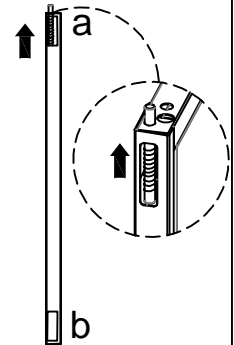
STEP 2



STEP 3

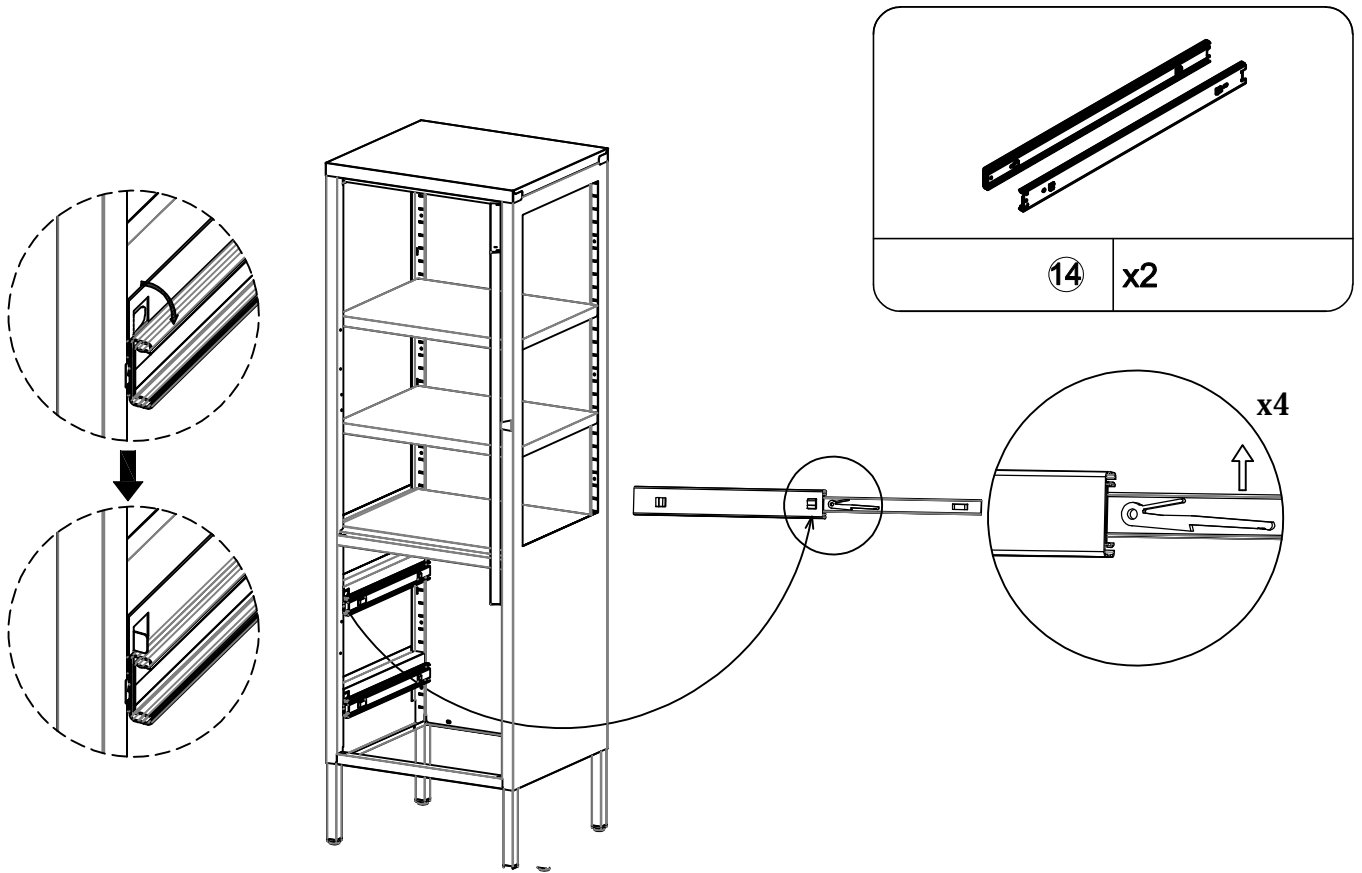


STEP 4

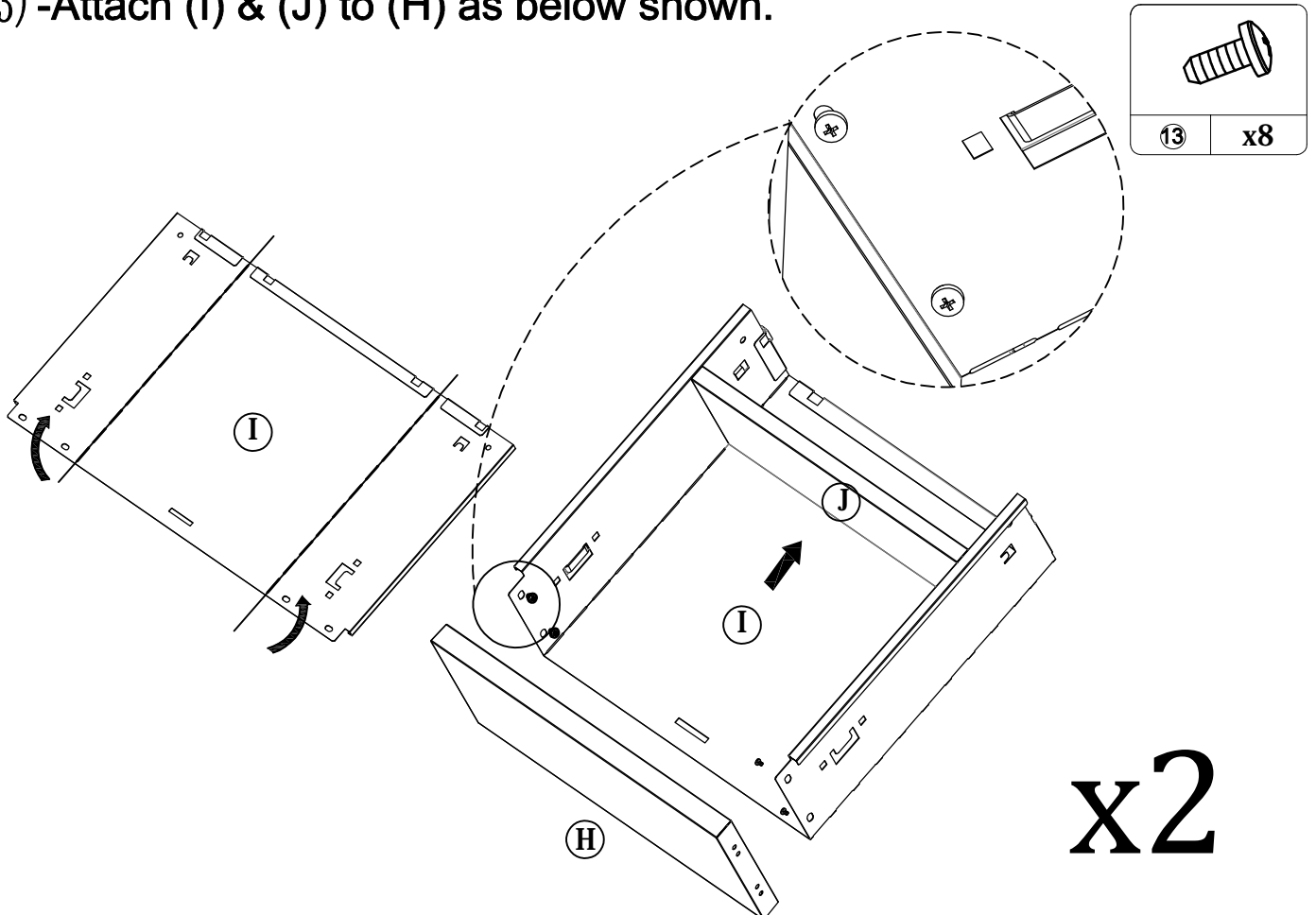


STEP 5

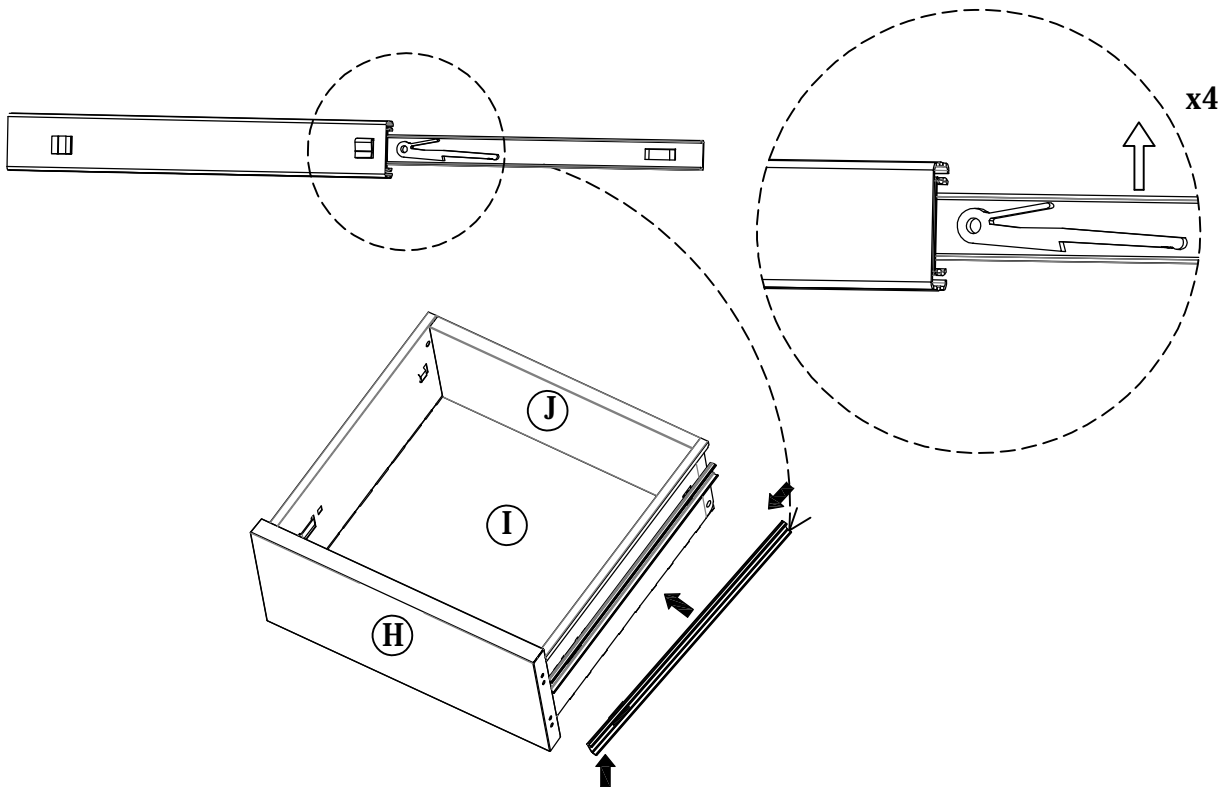
(12) - Attach Drawer Slide Rail Shell to (A) as below shown.



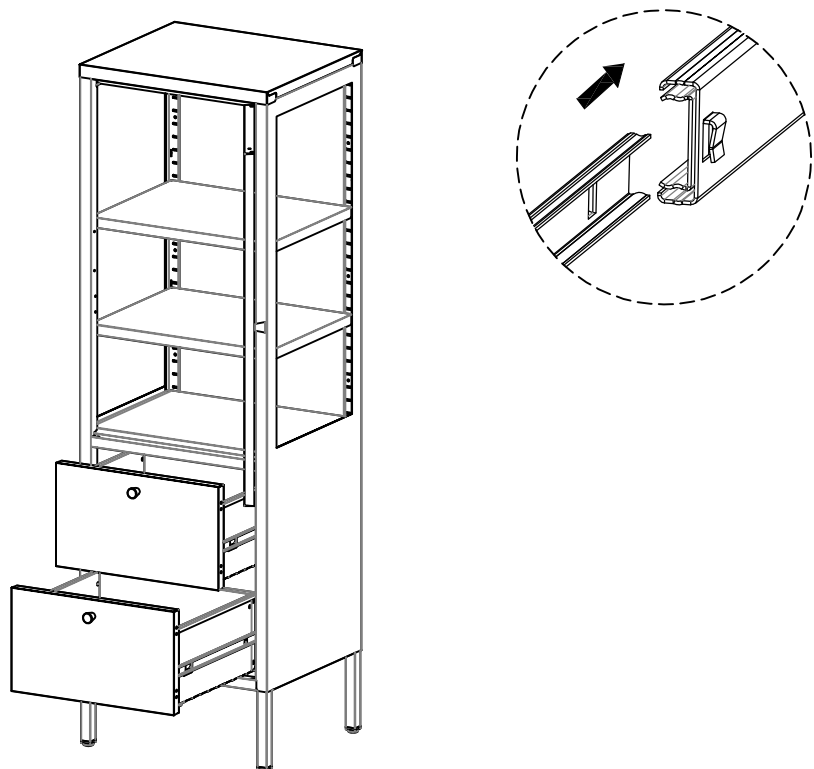
(13) - Attach (I) & (J) to (H) as below shown.



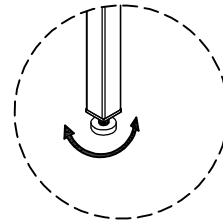
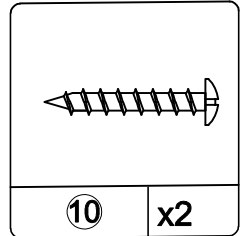
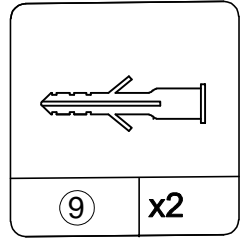
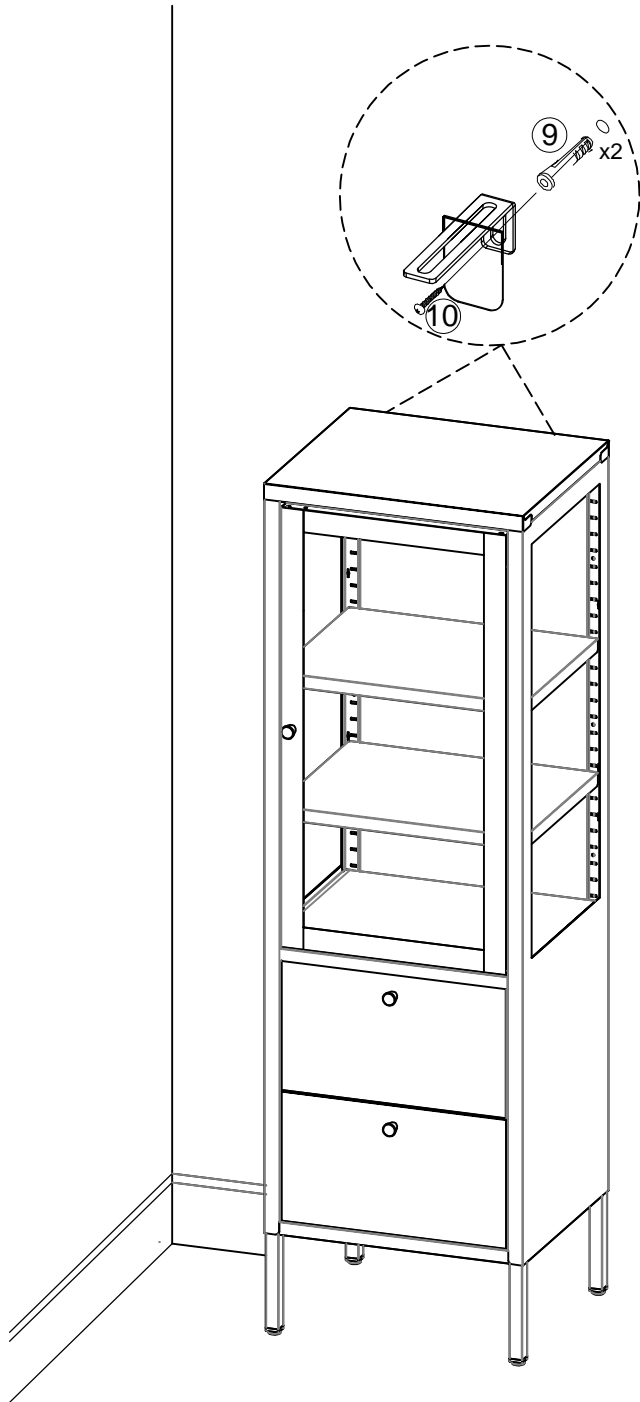
(14) -Attach Inner rail of Drawer Slide to Drawer as below shown.



(15) -Attach Drawer to pre-assembled unit as below shown.



(16)



Gaps may appear between the top of the doors and the frame if the item is not on level ground; use the plastic foot cover to level.