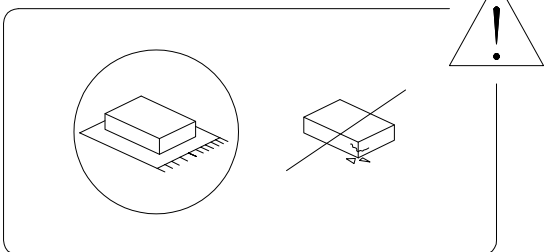
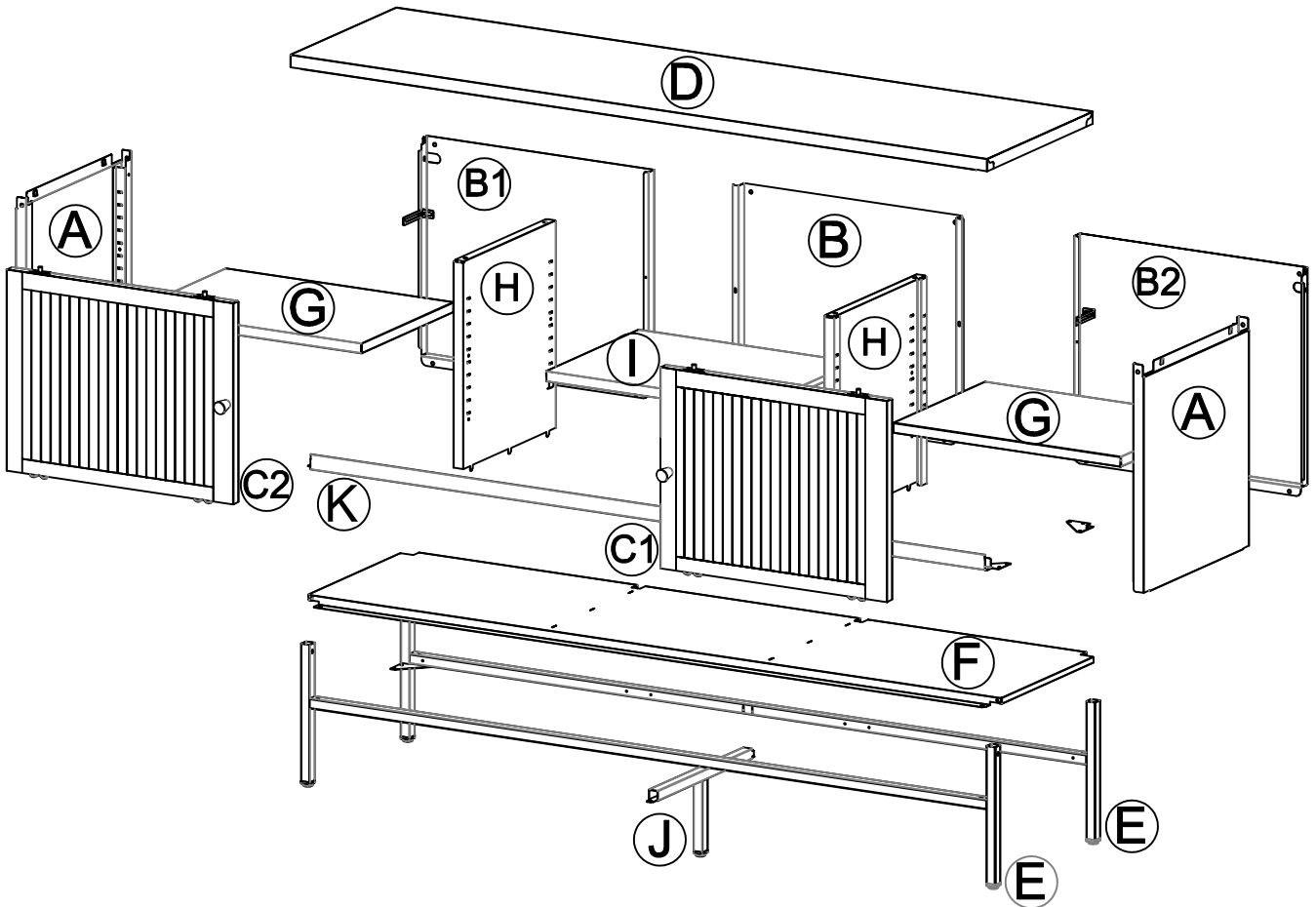


30'

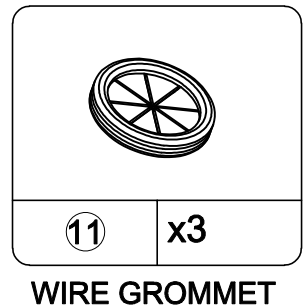
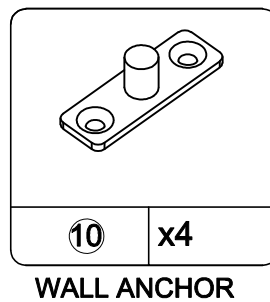
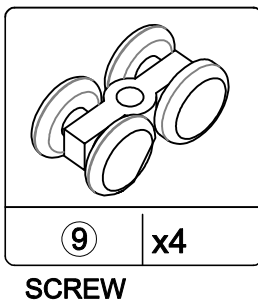
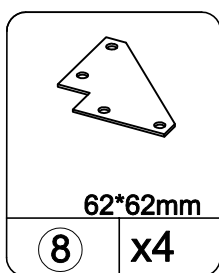
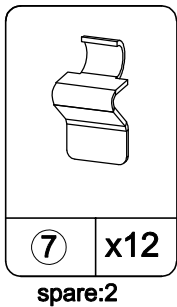
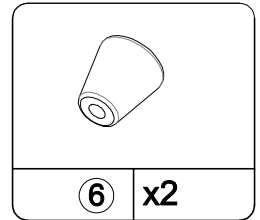
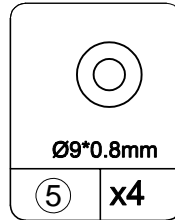
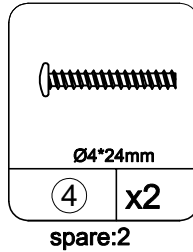
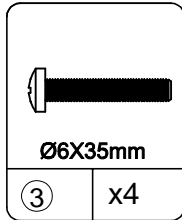
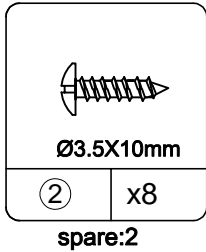
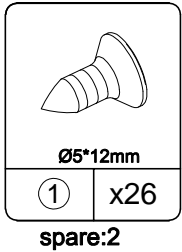


2

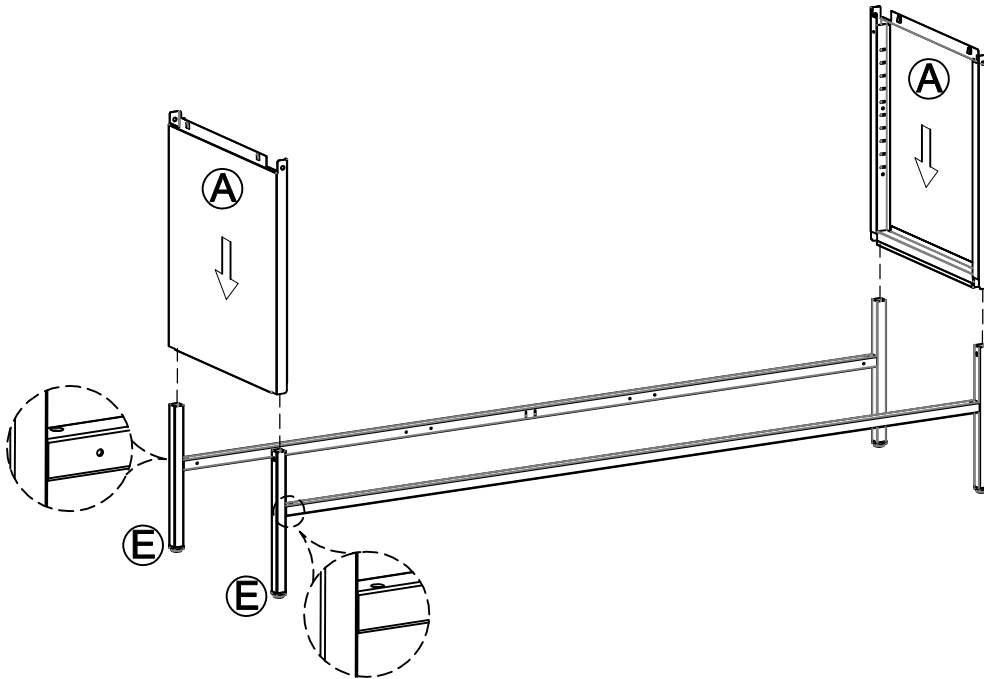


No.	Size	Qty
A	449x400x23mm	2
B	428x463x23mm	1
B1	428x493.5x23mm	1
B2	428x493.5x23mm	1
C1	396x493x20mm	1
C2	396x493x20mm	2
D	1502x402x38mm	1

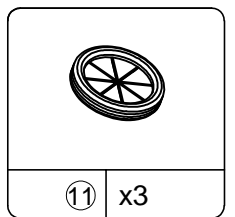
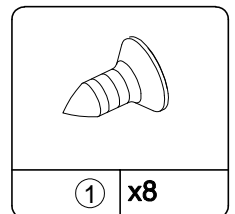
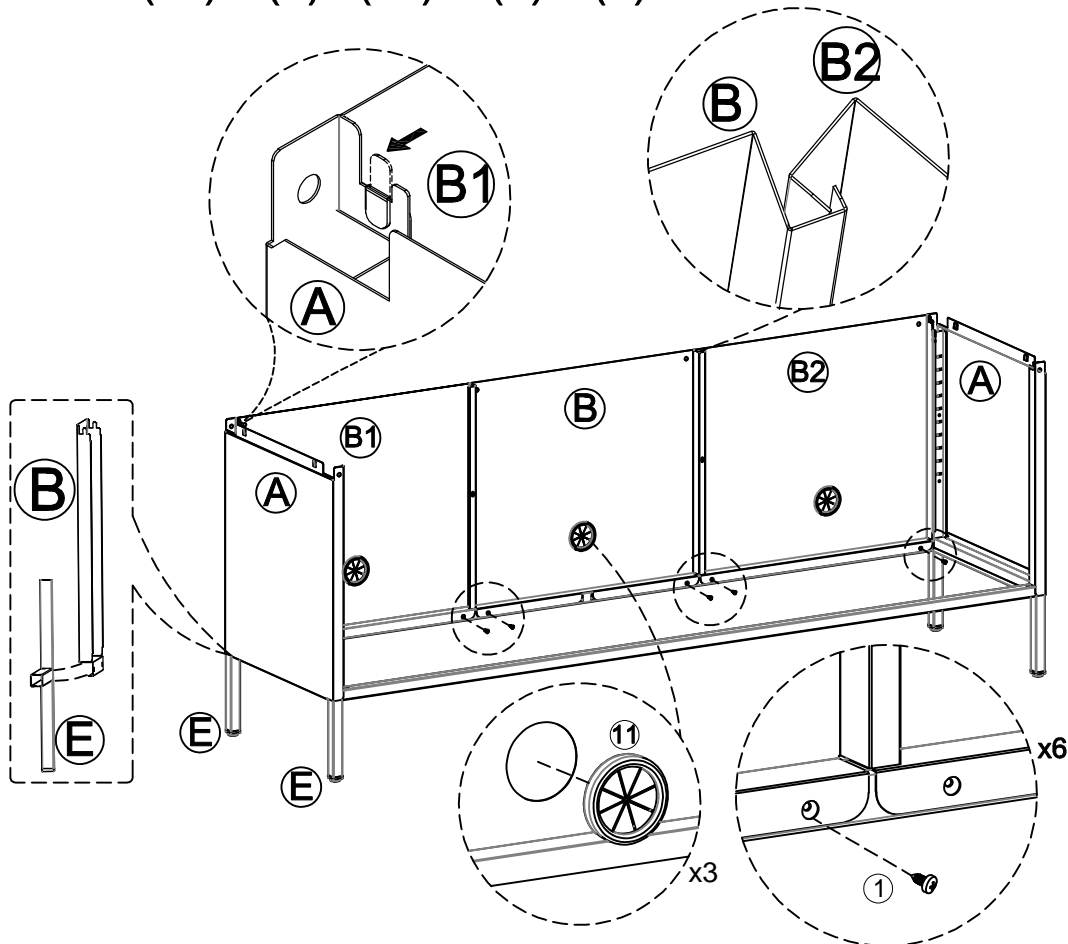
No.	Size	Qty
E	1497x270x20mm	2
F	1496x396x17mm	1
G	493x352x20mm	2
H	411x352x20mm	2
I	458.5x352x20mm	1
J	389x170x20mm	1
K	1479.5x30x22mm	1



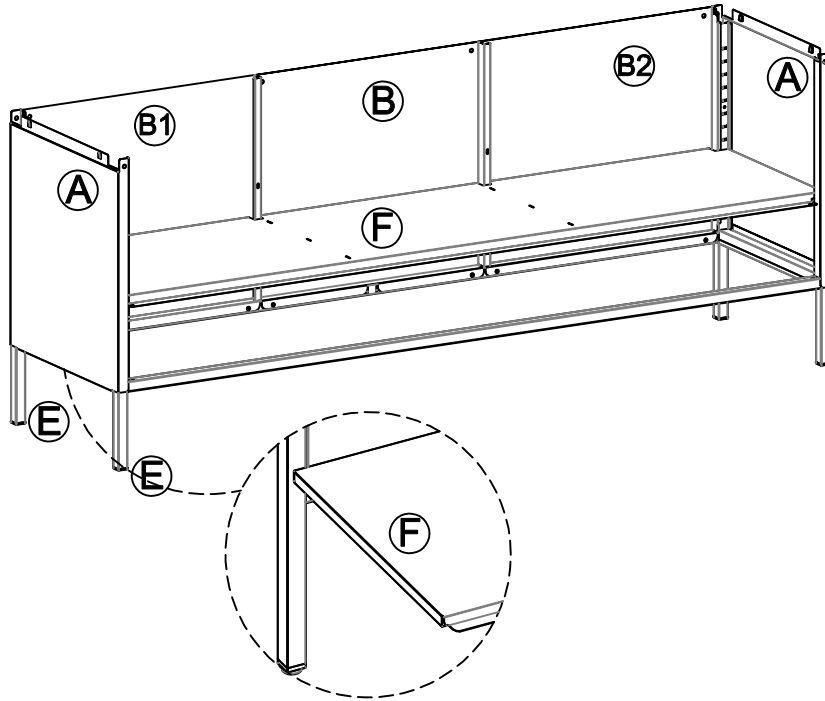
(1) - Attach (A) to (E) as below shown.



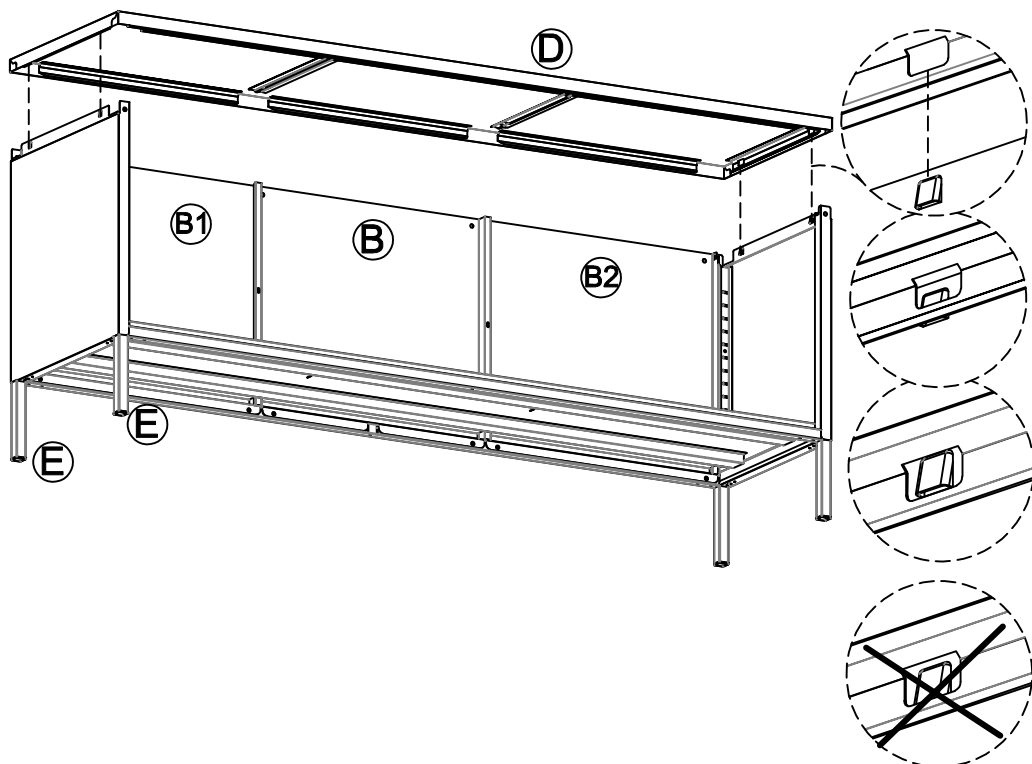
(2) - Attach (B1) & (B) & (B2) to (A) & (E) as below shown.



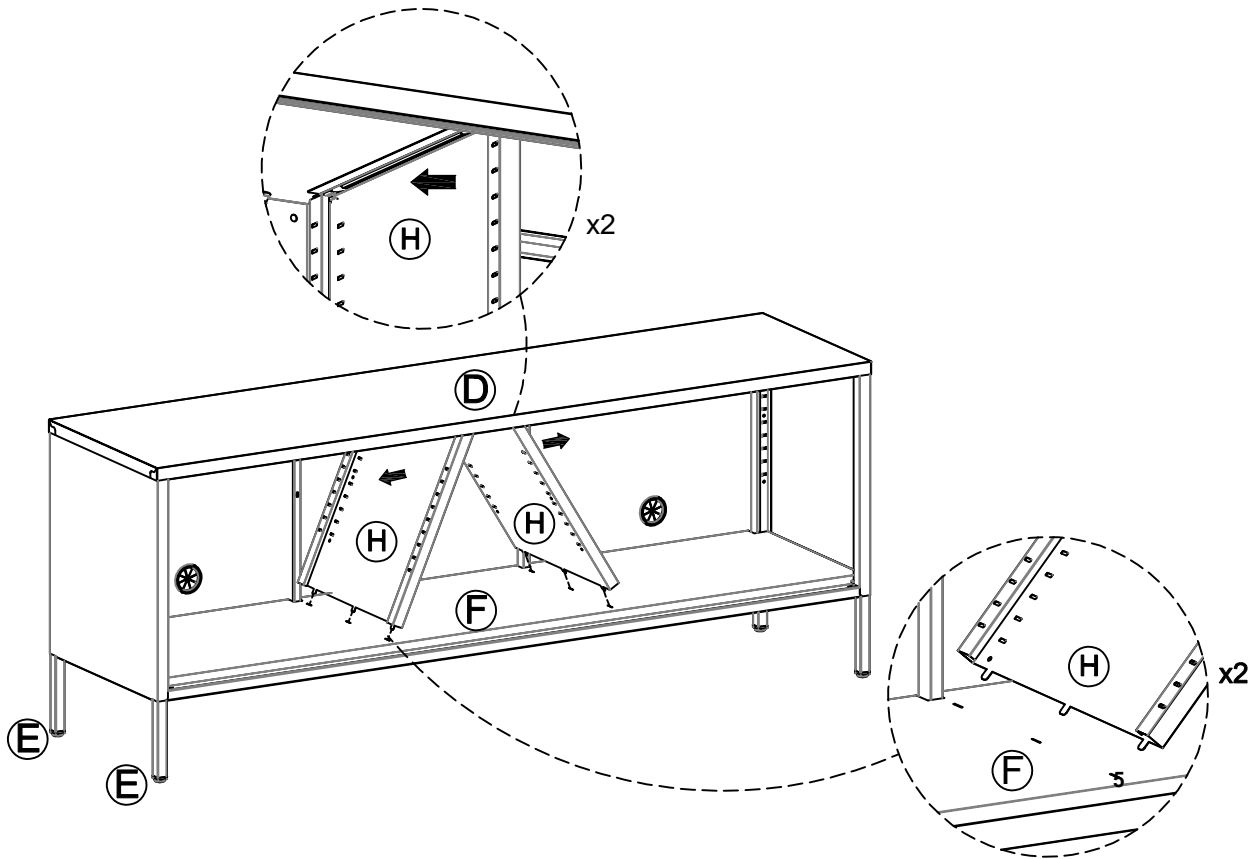
(3) - Attach (F) to (A) & (B) & (E) as below shown.



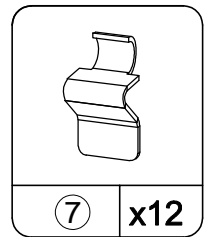
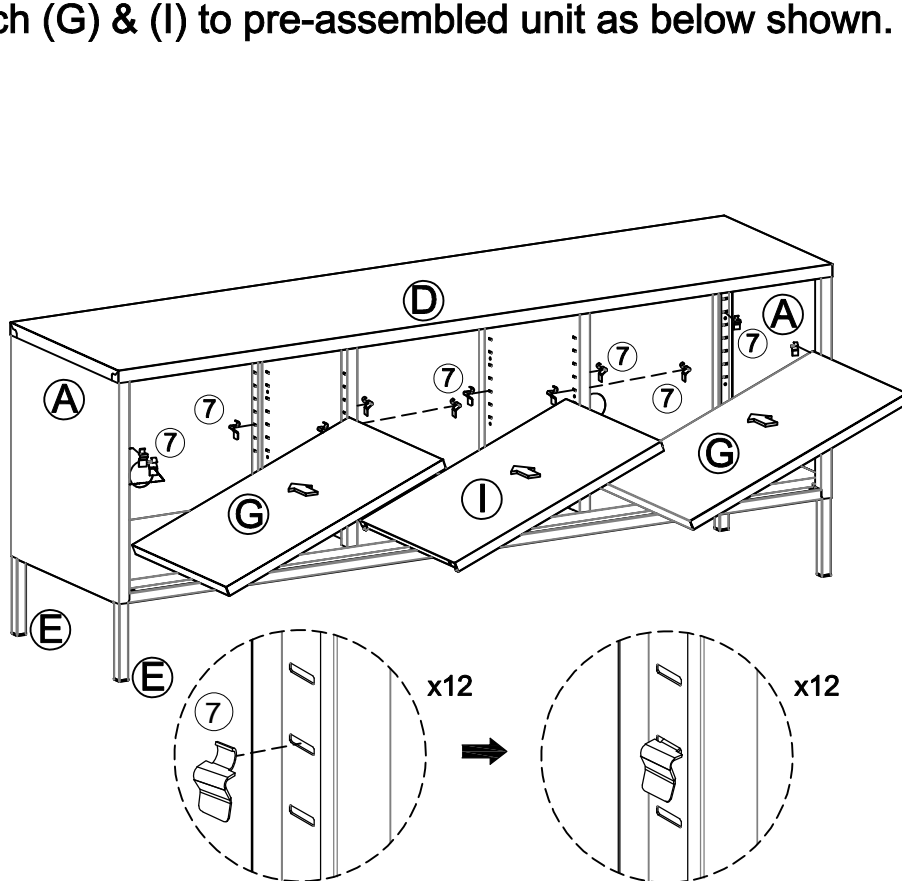
(4) - Attach (D) to (A) as below shown.



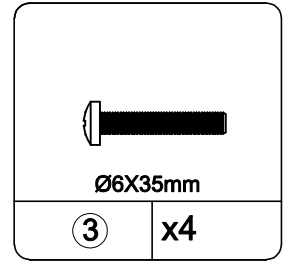
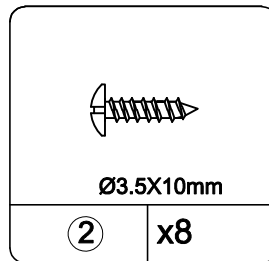
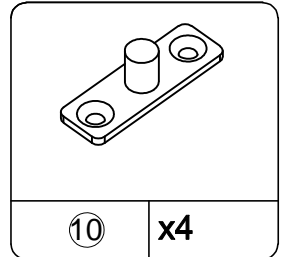
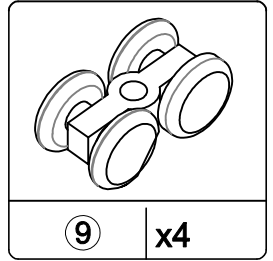
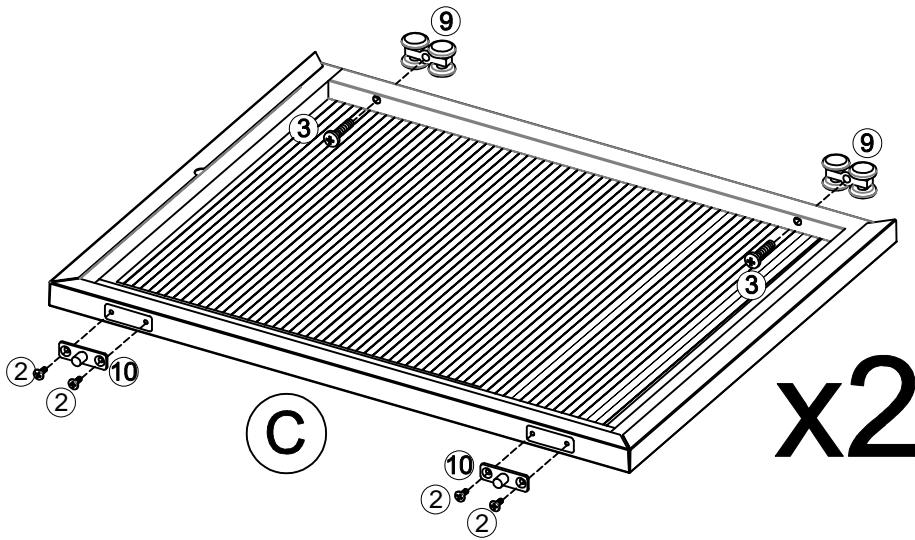
(5) - Attach (F) to (A) & (B) & (E) as below shown.



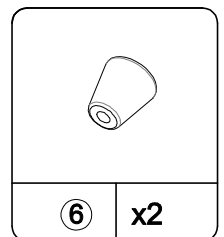
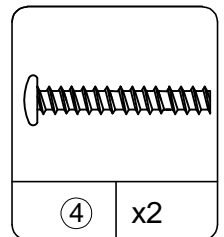
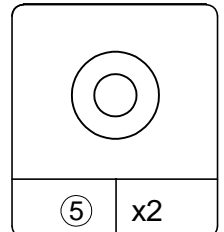
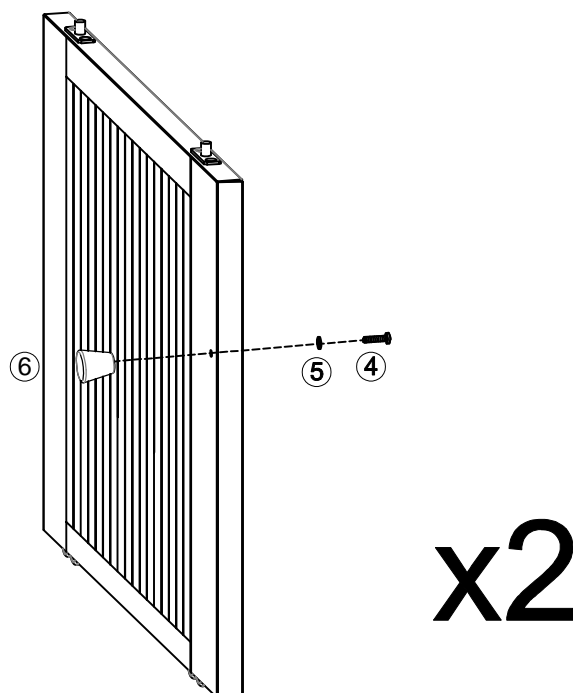
(6) - Attach (G) & (I) to pre-assembled unit as below shown.



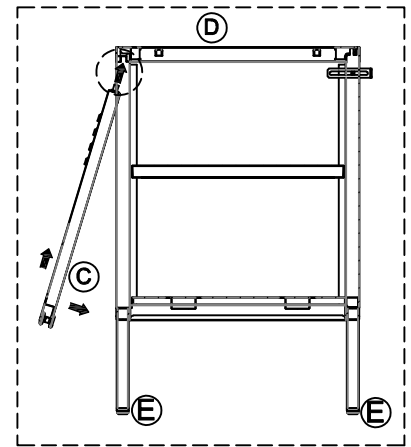
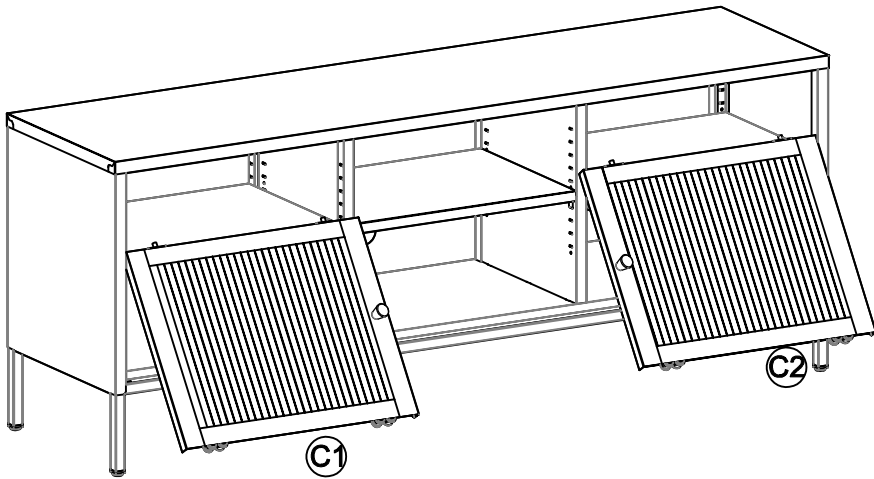
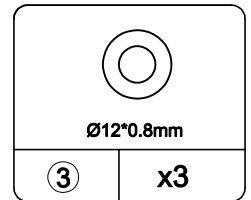
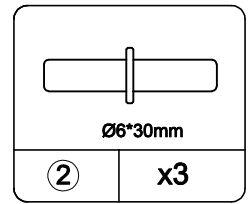
(7)- Attach (10) & (11) to (C1)& (C2) as below shown.



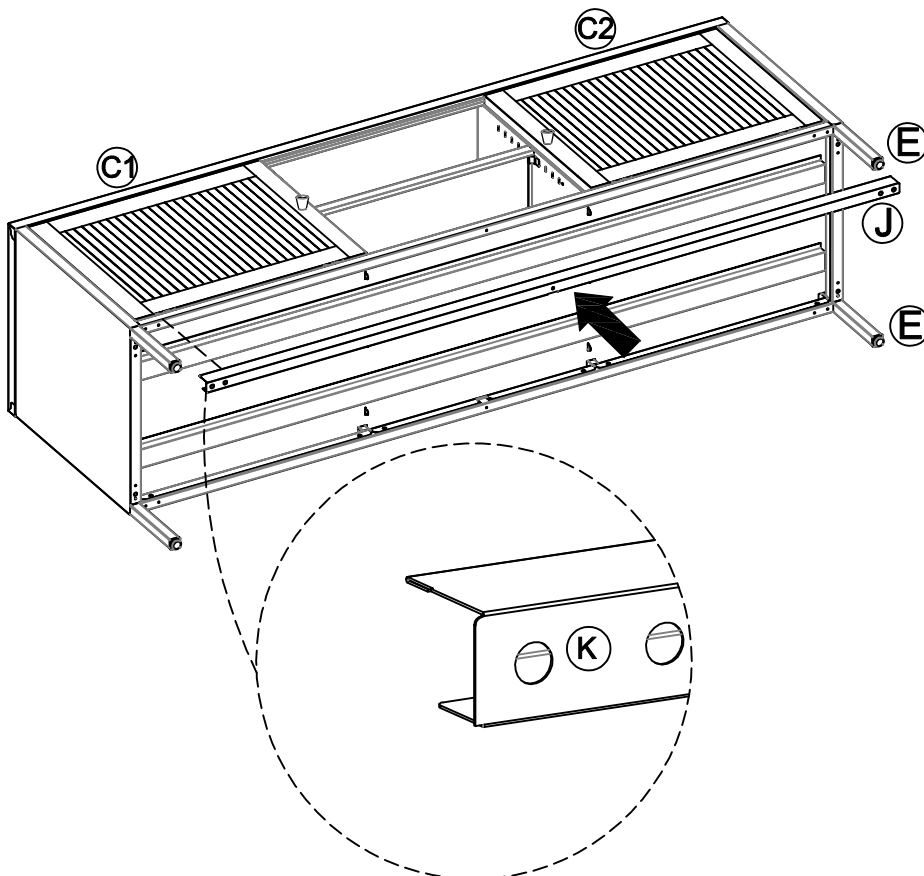
(8) - Attach (6) to (C1) & (C2) as below shown.



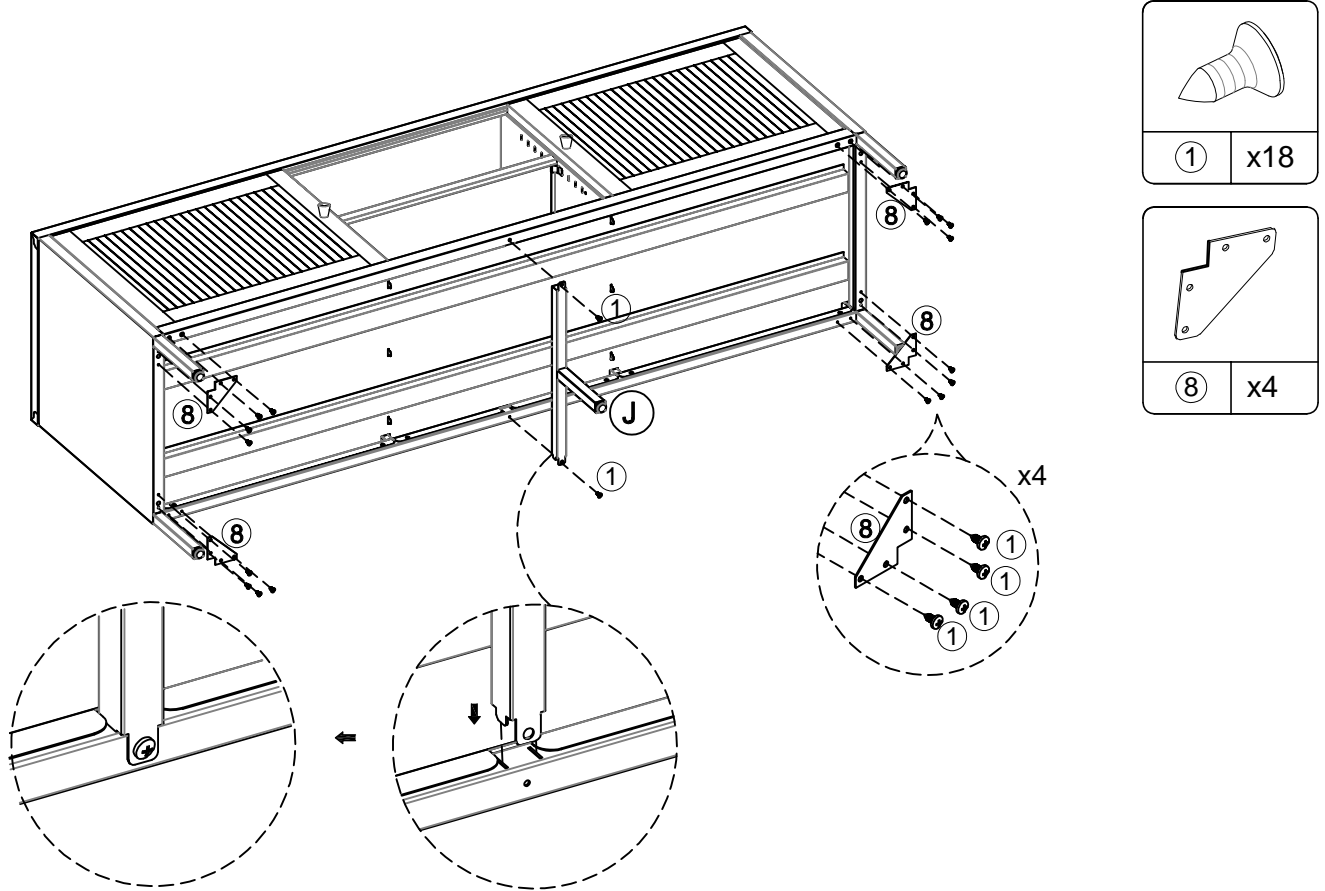
(9) - Attach (C1)& (C2) to pre-assembled unit as below shown.



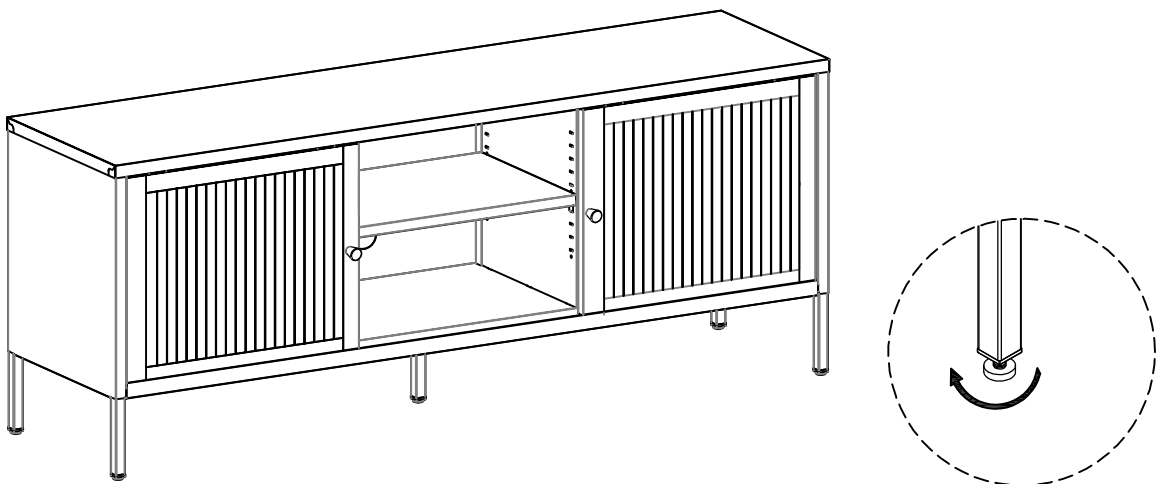
(10) - Attach (J) to (E) as below shown.



(11) - Attach (J) to (E) as below shown.



(12)



Gaps may appear between the top of the doors and the frame if the item is not on level ground; use the plastic foot cover to level.