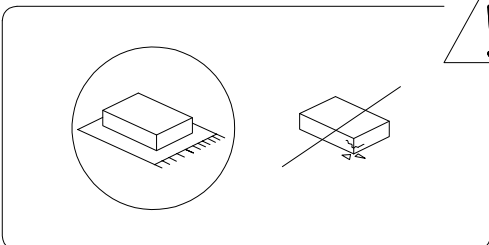
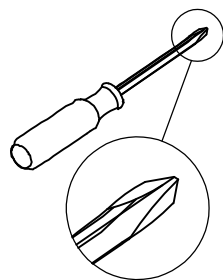
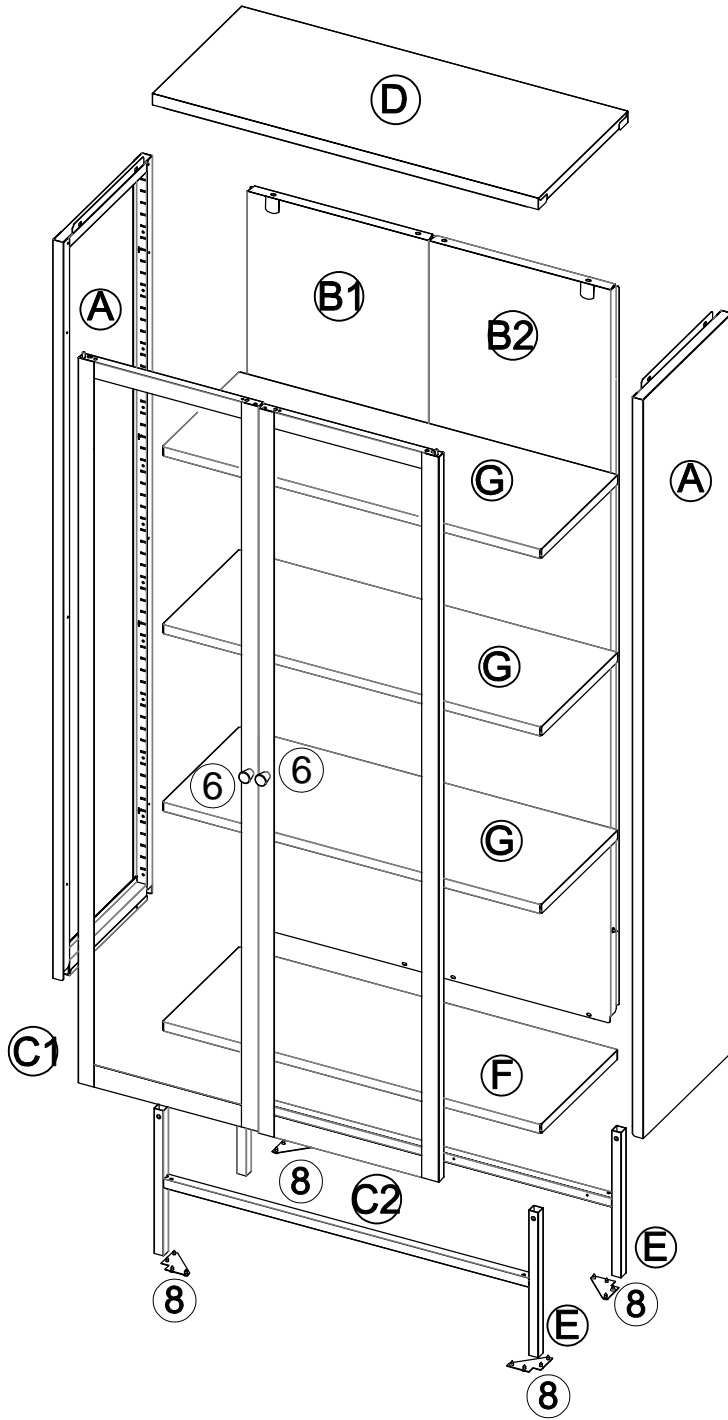


30'

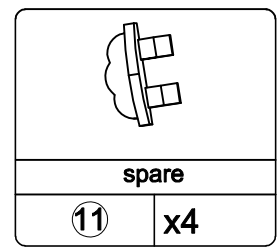
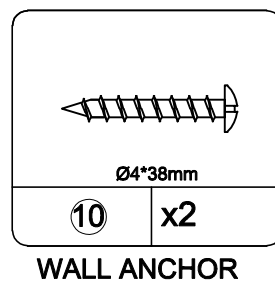
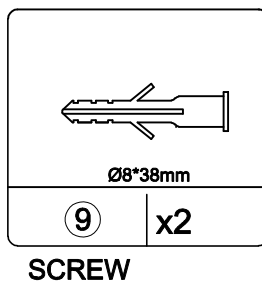
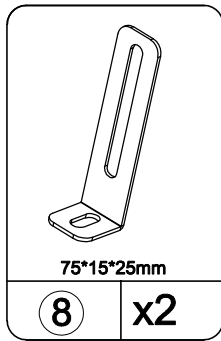
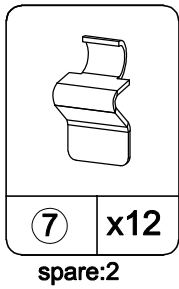
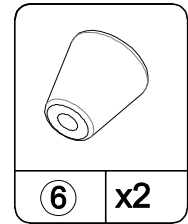
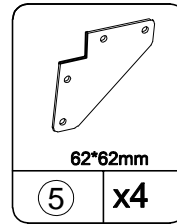
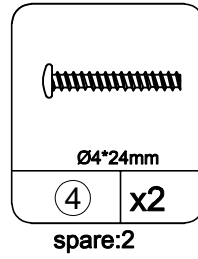
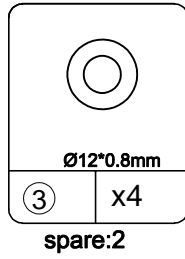
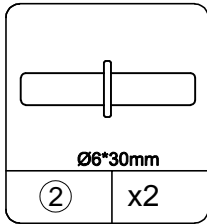
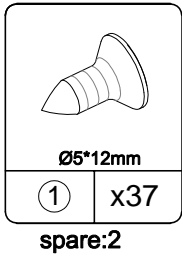


2



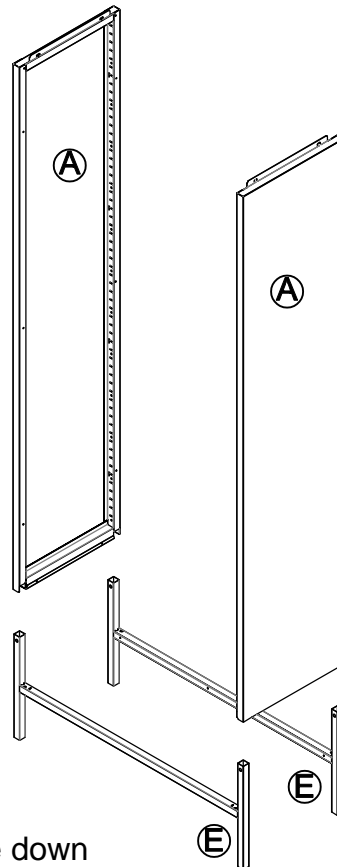
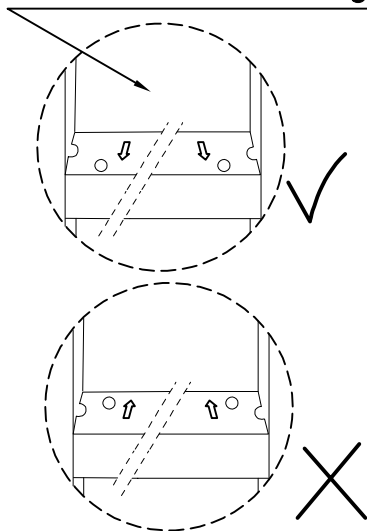
Hardware	Ctn No.	1
----------	---------	---

No.	Size	Qty
A	1618x350x24mm	2
B1	1590x380x23mm	1
B2	1590x384x23mm	1
C1	1571x373.5x20mm	1
C2	1571x373.5x20mm	1
D	801x351.5x38mm	1
E	370x797x20mm	2
F	786x301x25mm	1
G	786x300x20mm	3



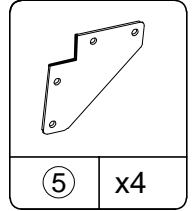
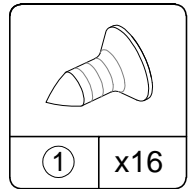
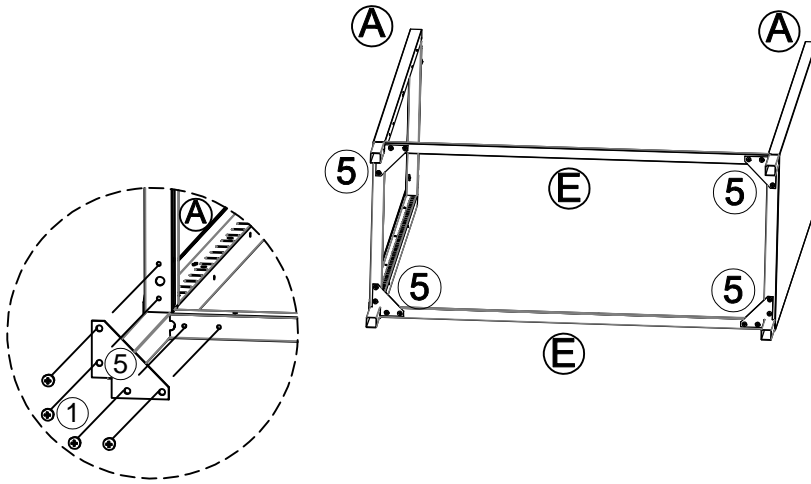
(1) - Attach (A) to (E) as below shown.

Make sure the holes are nearest to outside otherwise will affect door assembling.

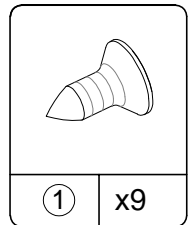
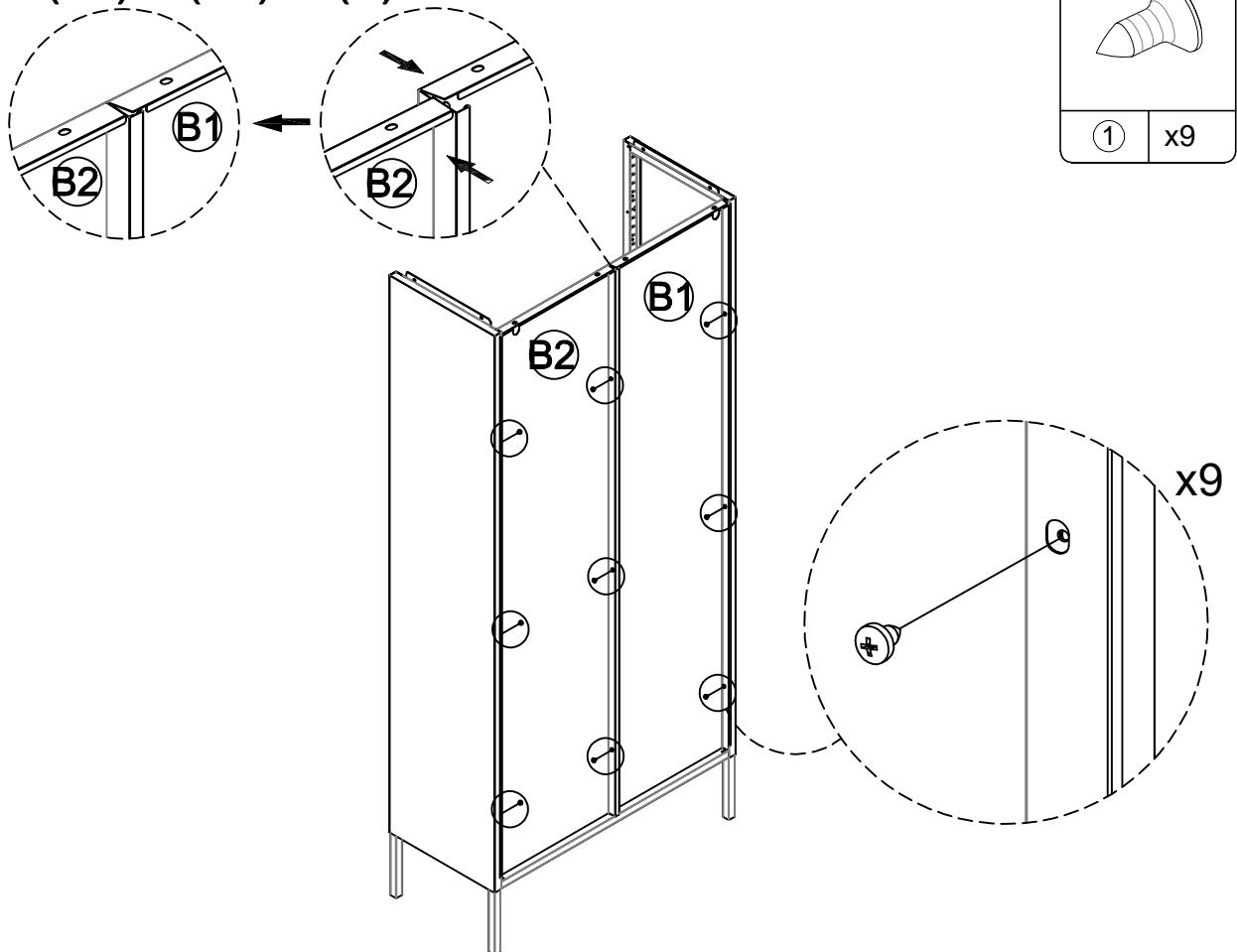


The plastic foot cover face down

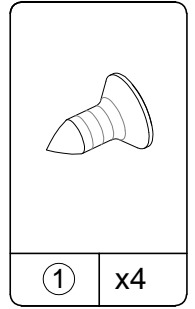
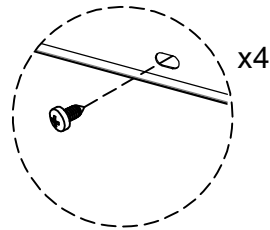
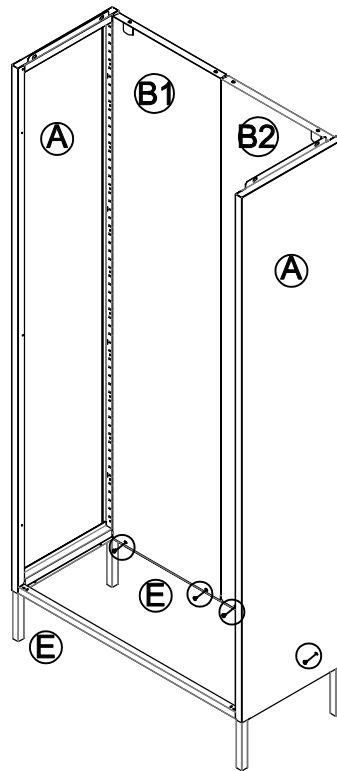
(2) - Attach ⑤ to (A)&(E) as below shown.



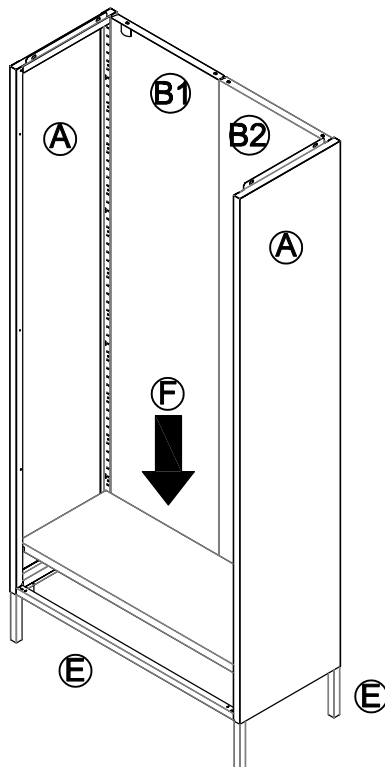
(3) - Attach (B1) & (B2) to (A) as below shown.



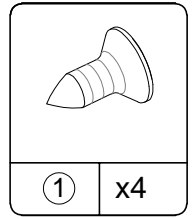
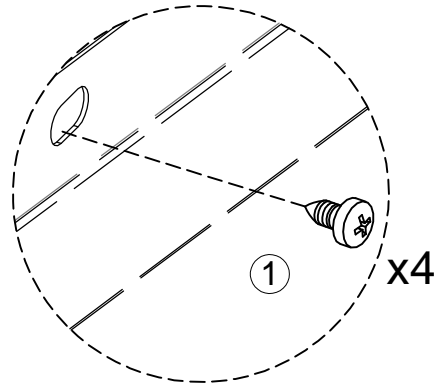
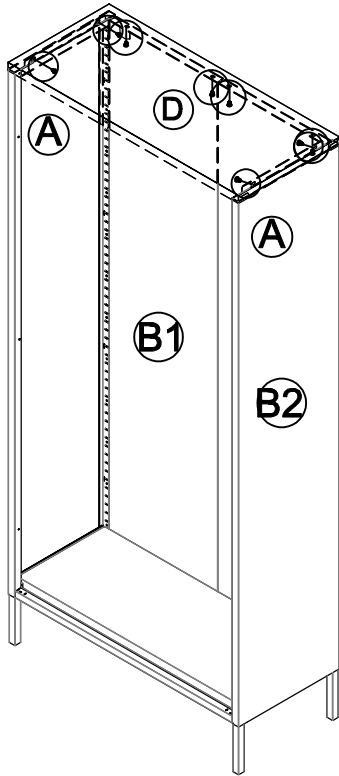
(4) - Attach (B) to (A) & (E) as below shown.



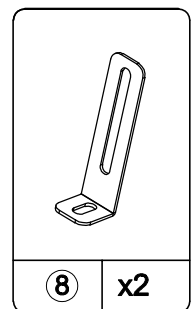
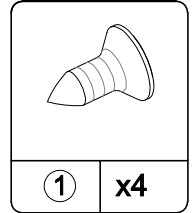
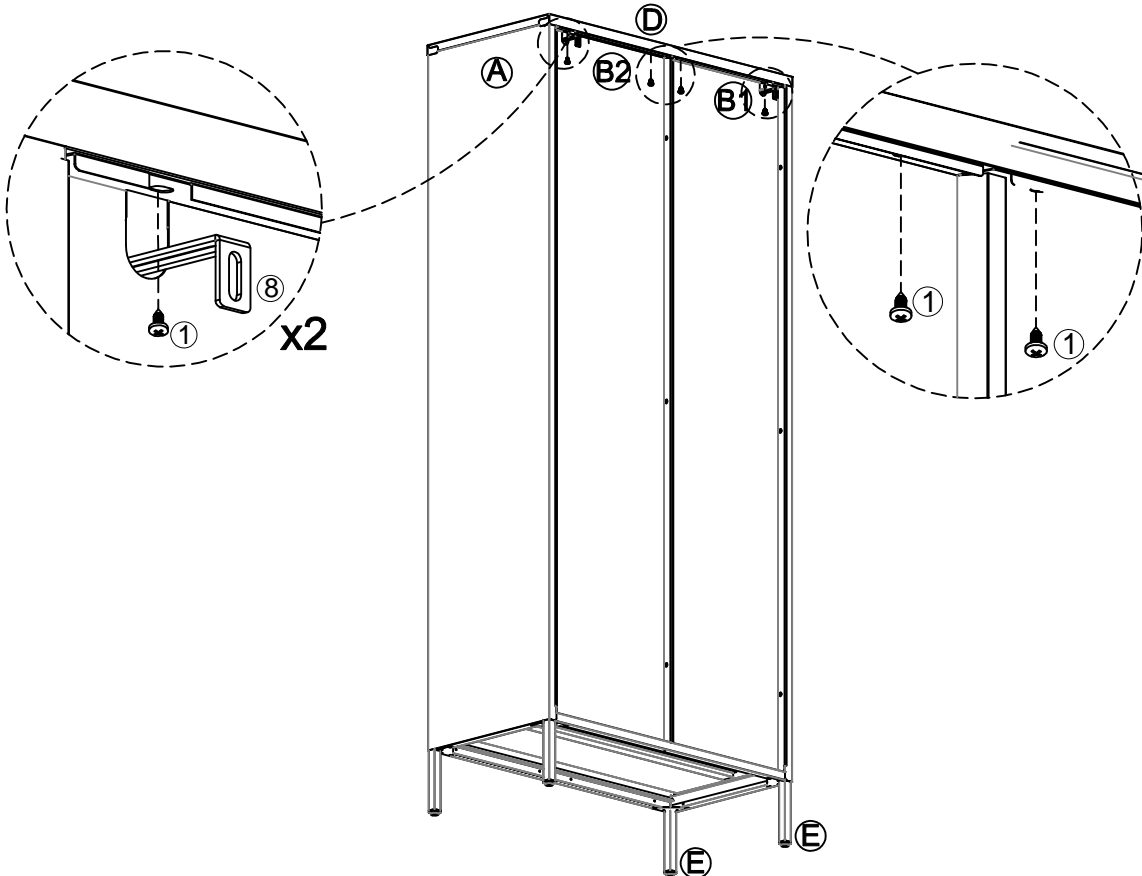
(5) - Attach (F) to (A) & (B) & (E) as below shown.



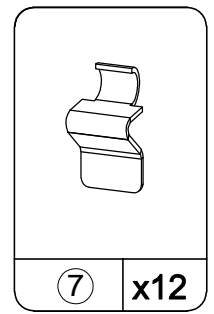
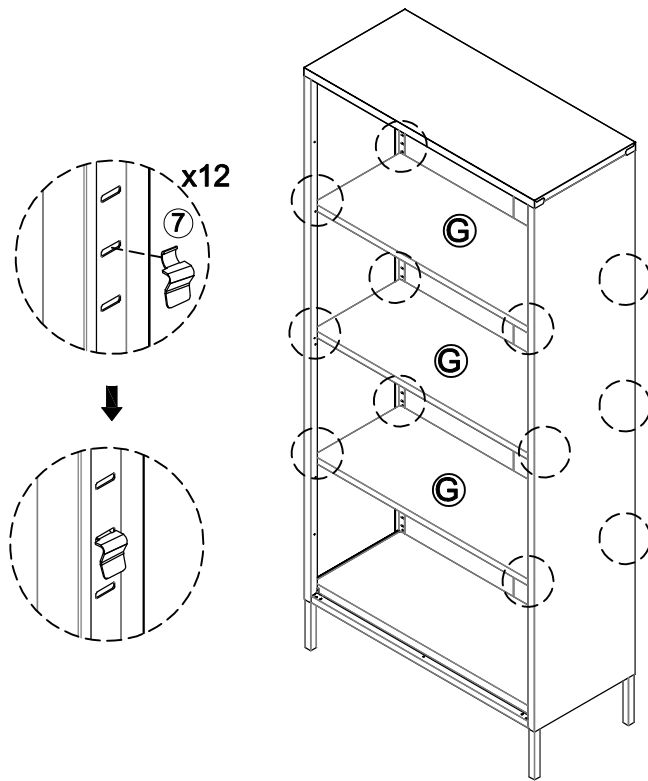
(6) - Attach (D) to (A) & (B) as below shown.



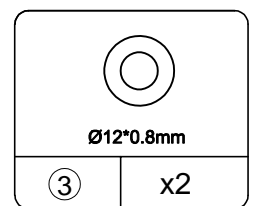
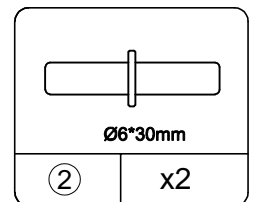
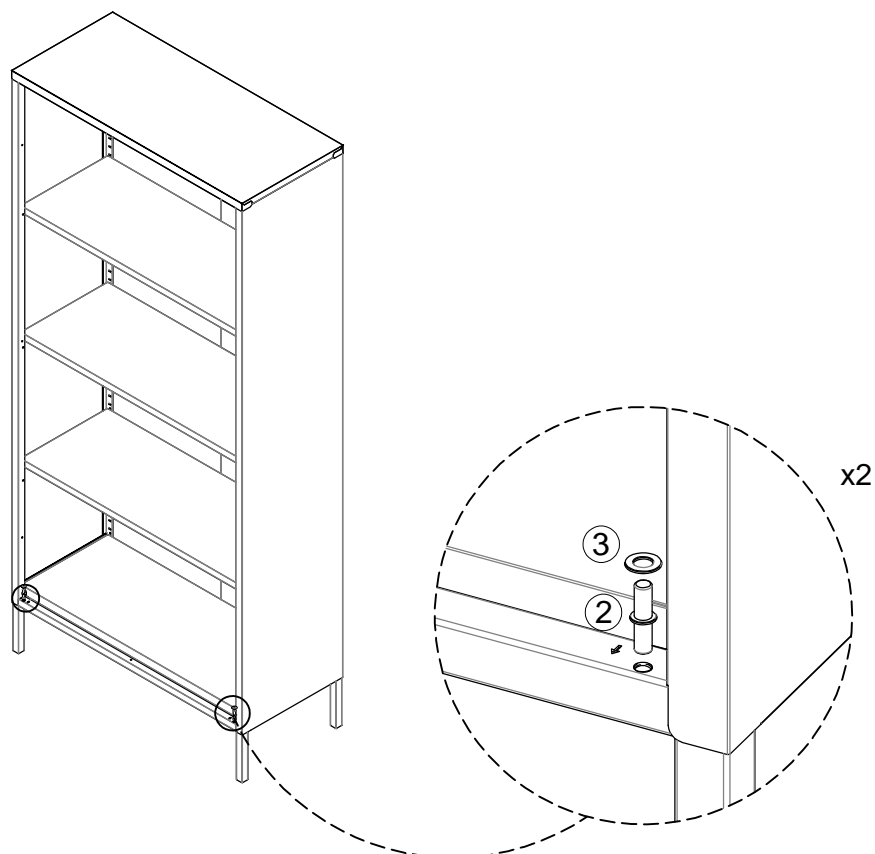
(7) - Attach (B) & (8) to (D) as below shown.



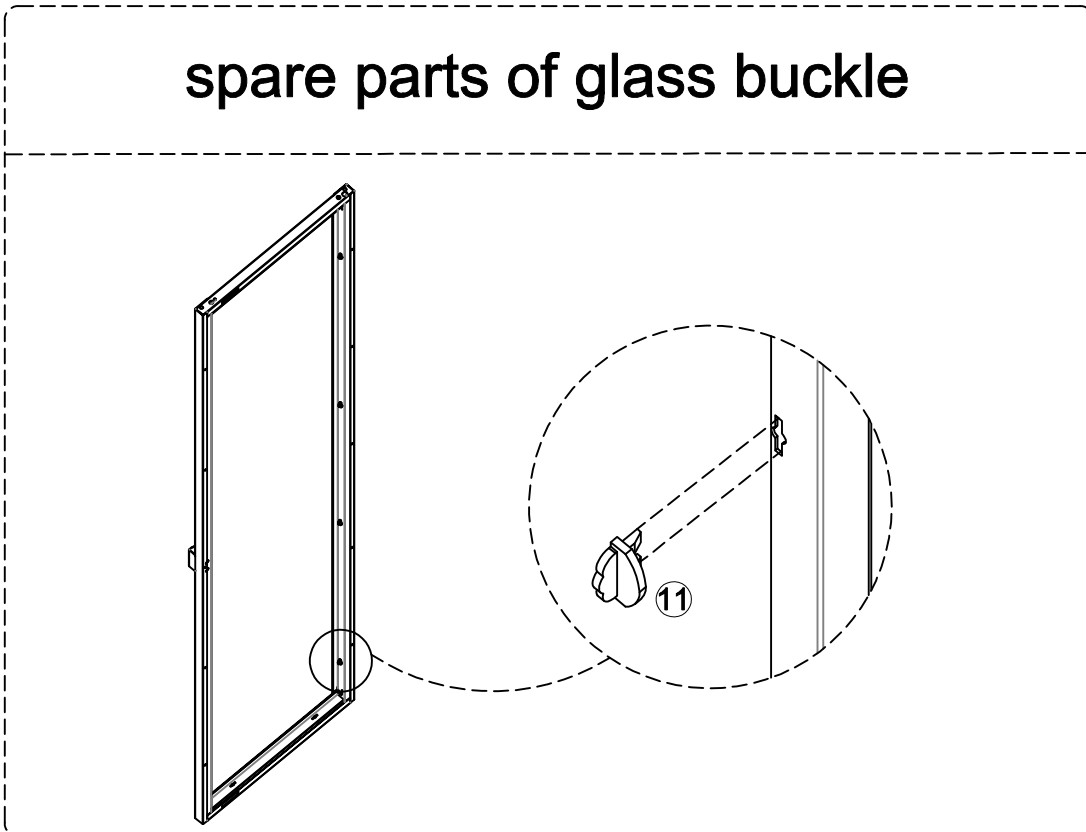
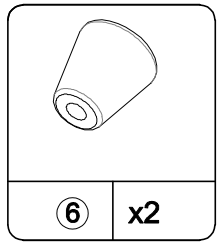
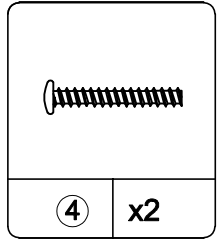
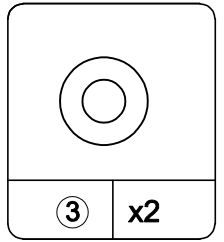
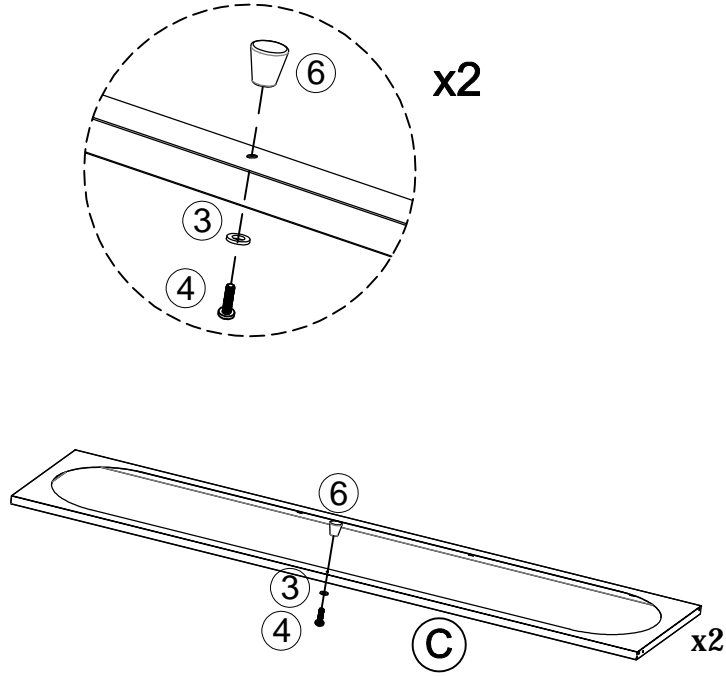
(8) - Attach (G) to pre-assembled unit as below shown.



(9) - Attach (2) & (3) to pre-assembled unit as below shown.

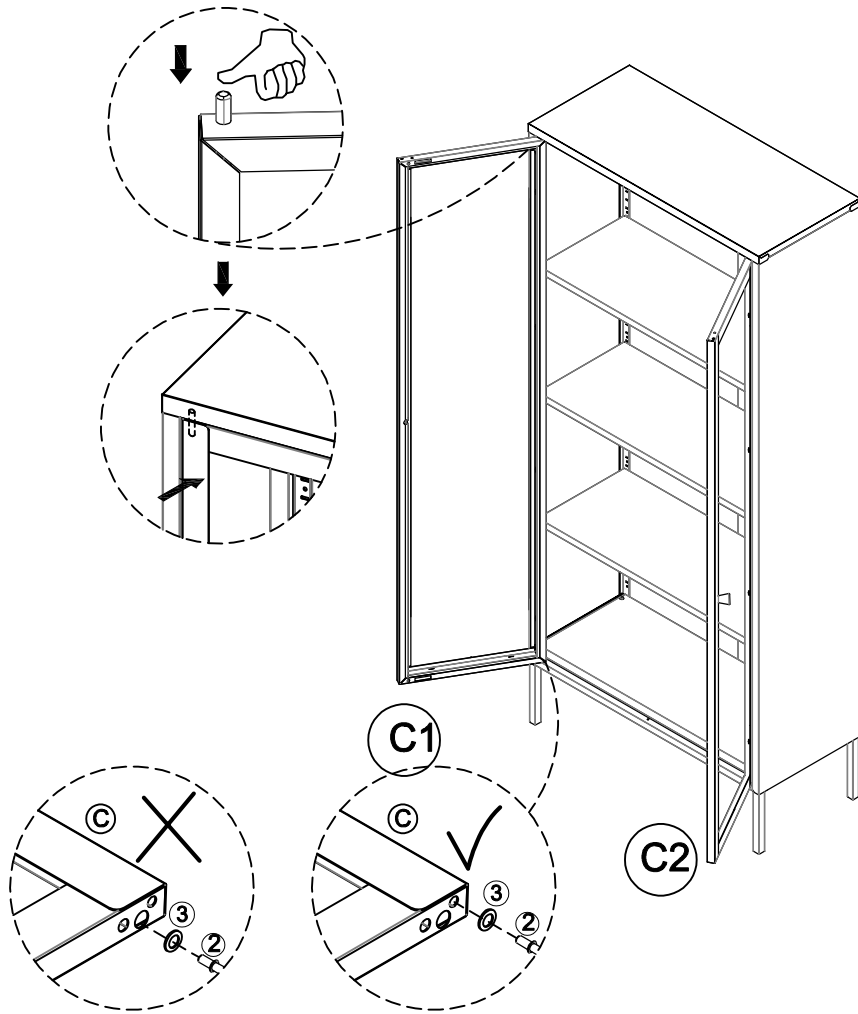


(10) - Attach (6) to (C) as below shown.





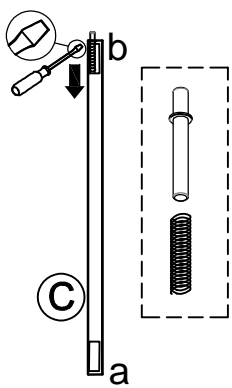
(11) - Attach (C) to pre-assembled unit as below shown.



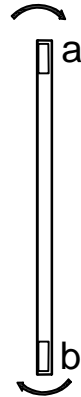
**door pillar exchange process**

**WARNING**

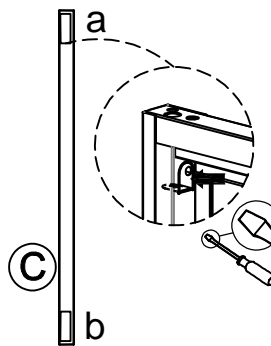
This step is just to switch the left door to the right door!



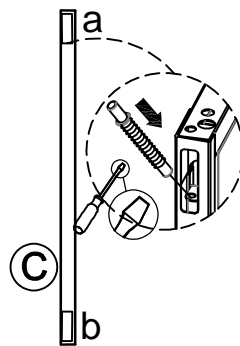
**STEP 1**



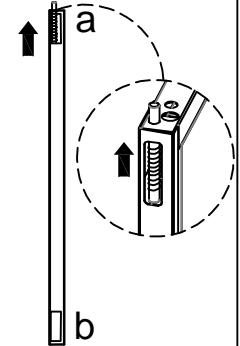
**STEP 2**



**STEP 3**

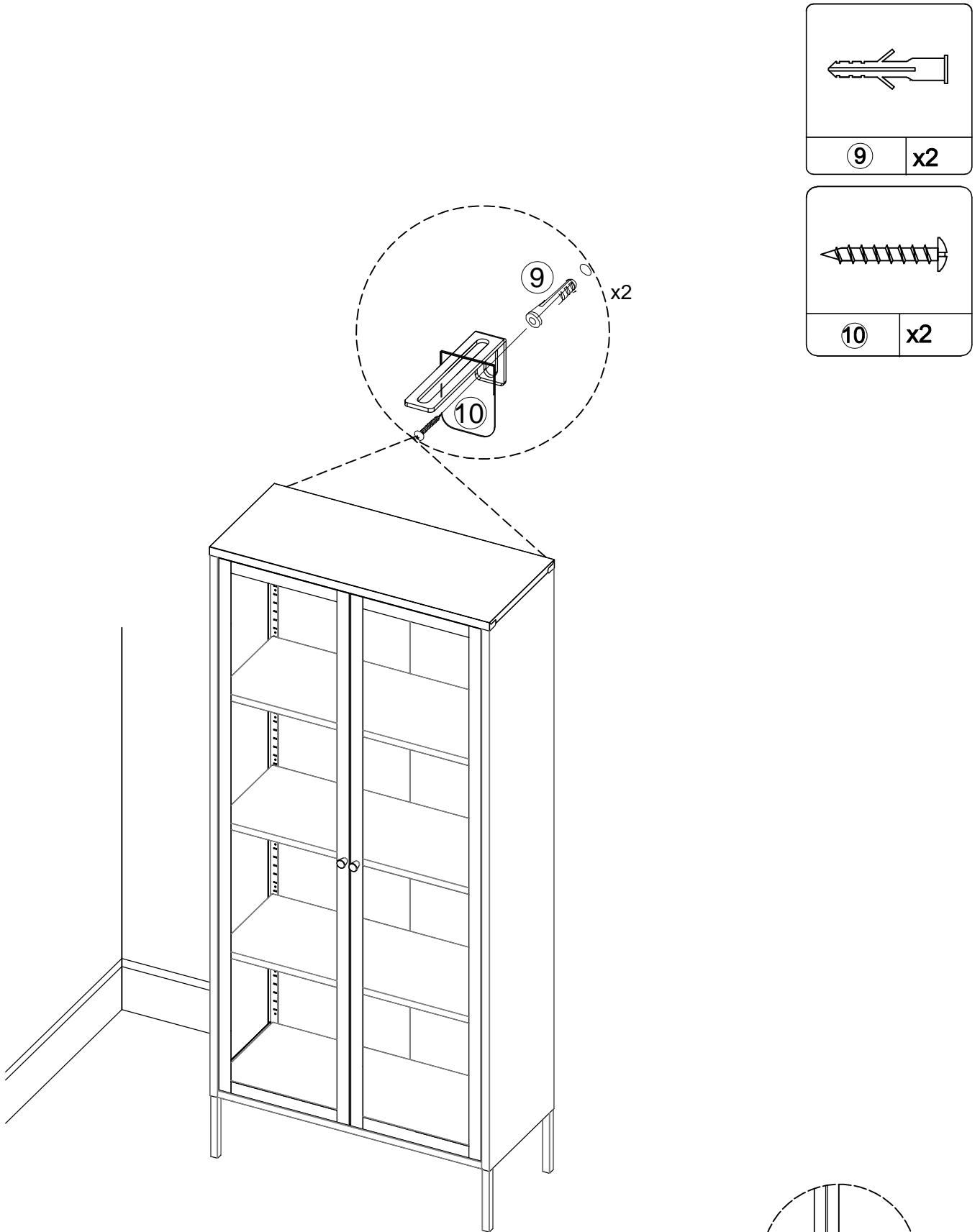


**STEP 4**



**STEP 5**

(12)



Gaps may appear between the top of the doors and the frame if the item is not on level ground; use the plastic foot cover to level.