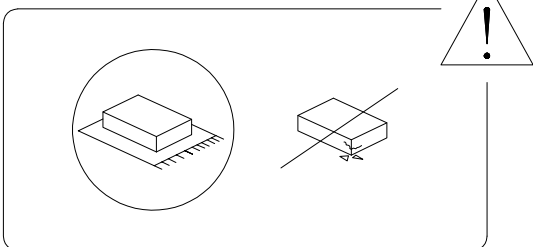
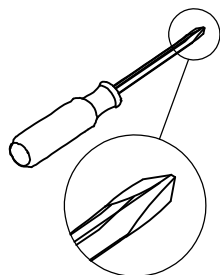
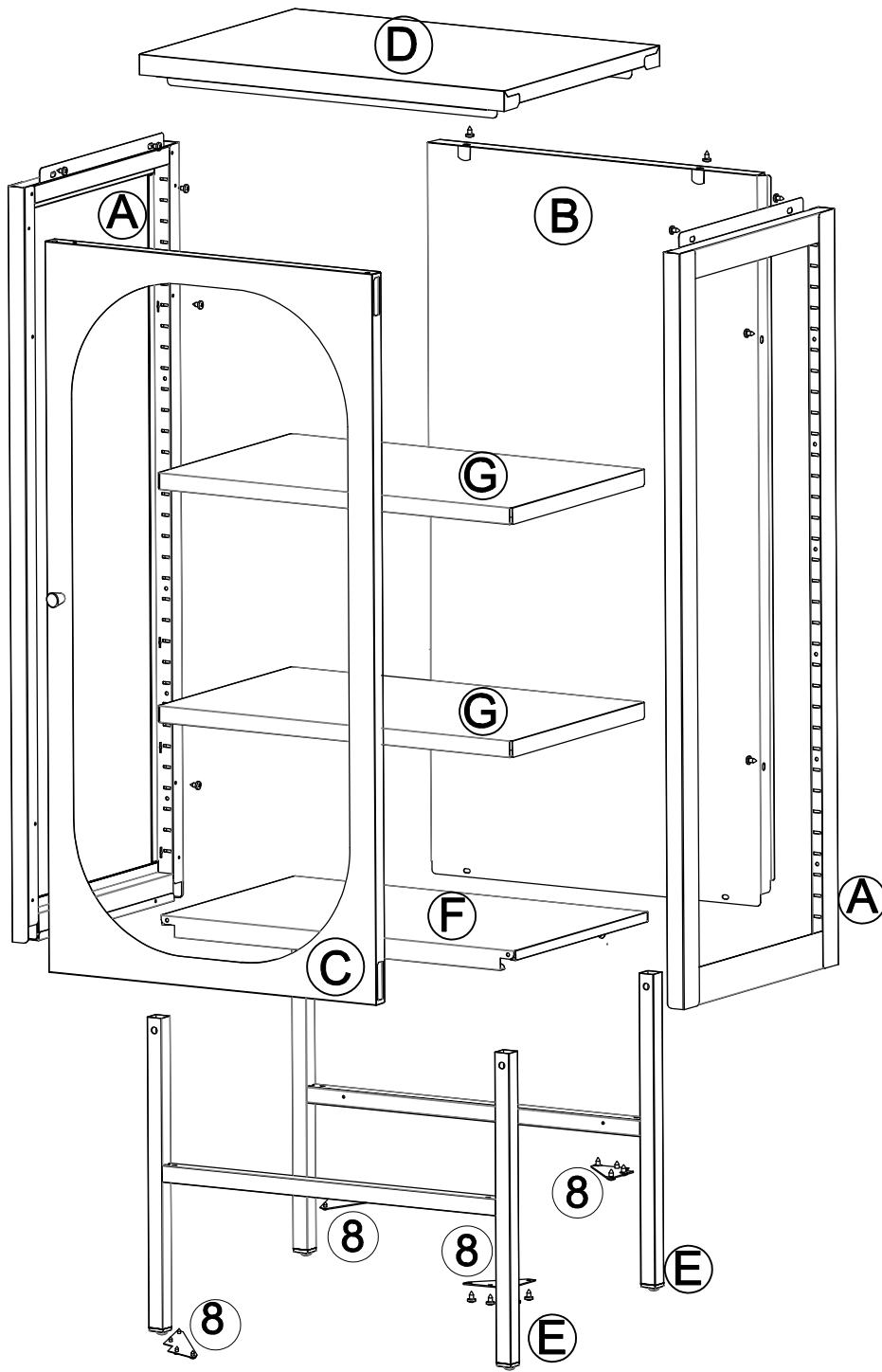


30'

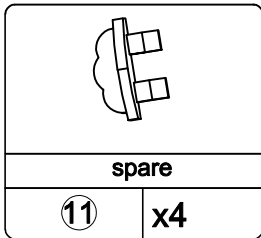
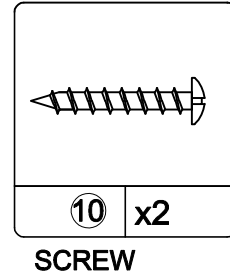
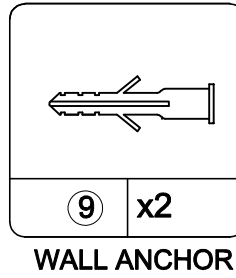
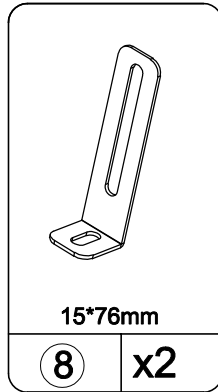
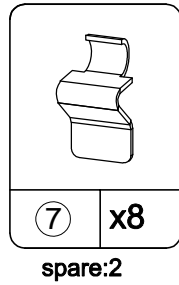
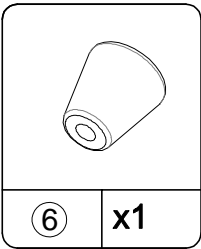
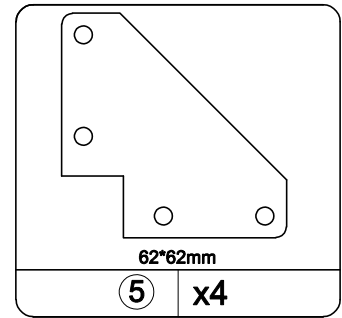
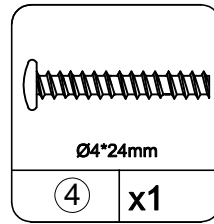
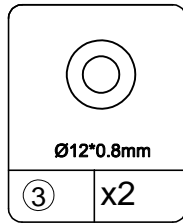
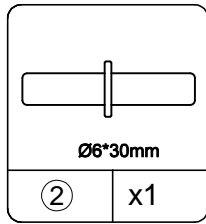
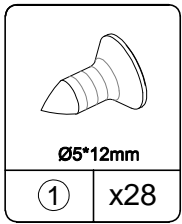


2



Hardware	Ctn No.	1
----------	---------	---

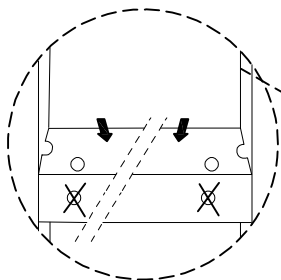
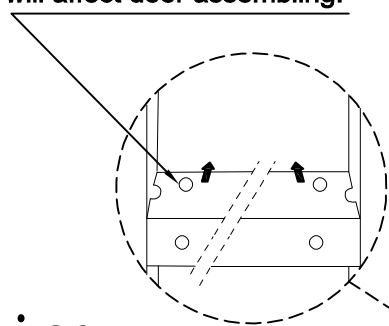
No.	Size	Qty
A	818x350x24mm	2
B	790x401x23mm	1
C	771x399x20mm	1
D	451x352x38mm	1
E	357x447x20mm	2
F	436x301x25mm	1
G	436x300x20mm	2



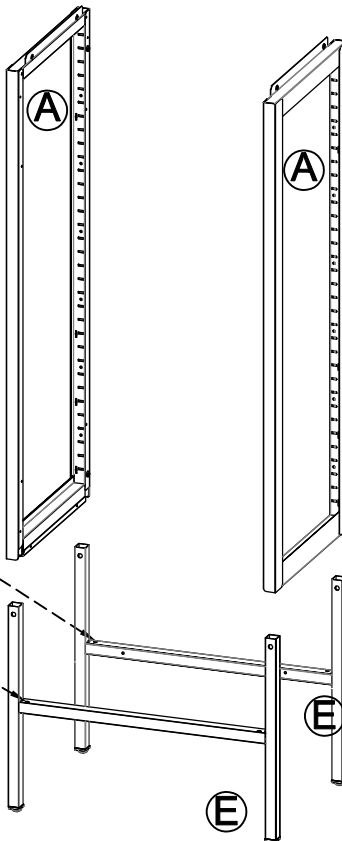
(1) - Attach (A) to (E) as below shown.

Make sure the holes are nearest to outside otherwise will affect door assembling.

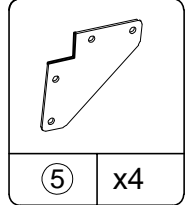
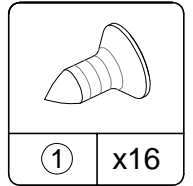
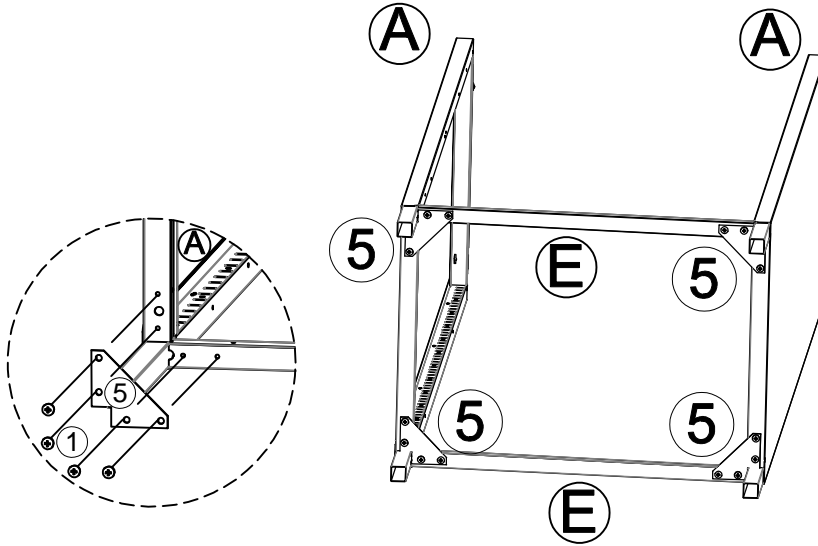
Notice



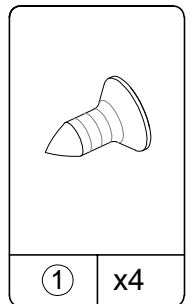
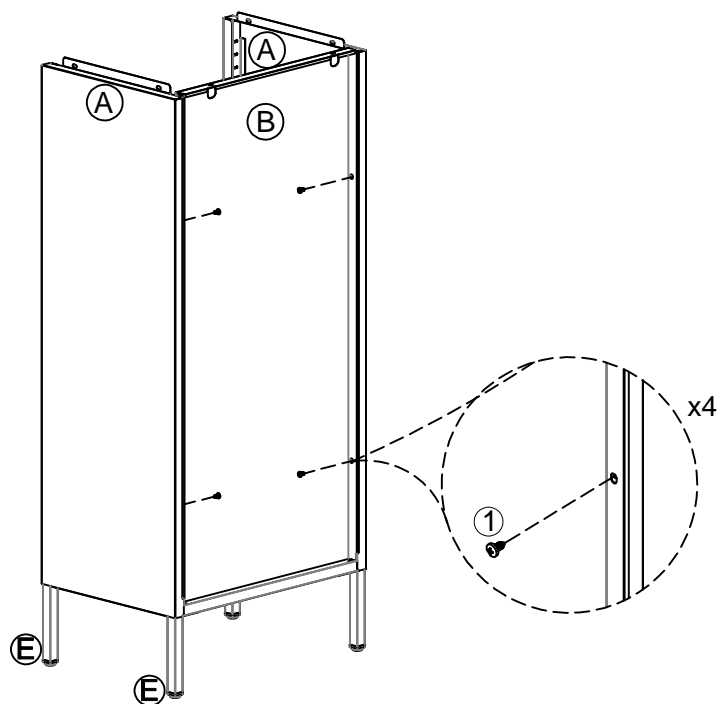
The plastic foot cover face down



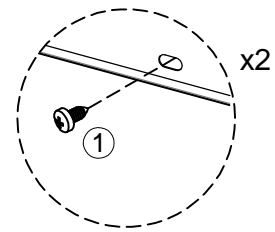
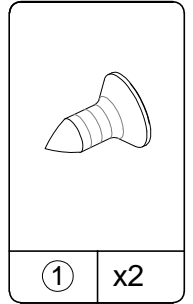
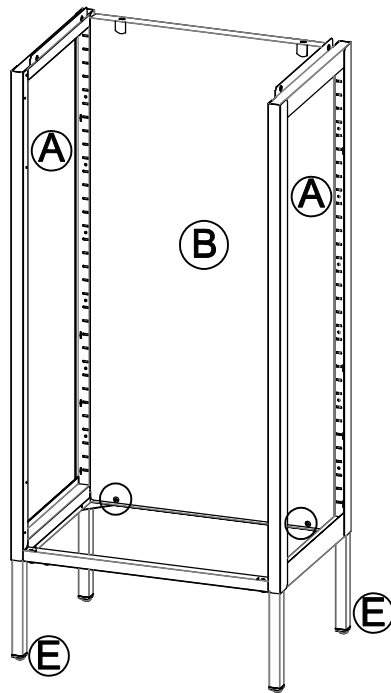
(2) - Attach ⑤ to (A)&(E) as below shown.



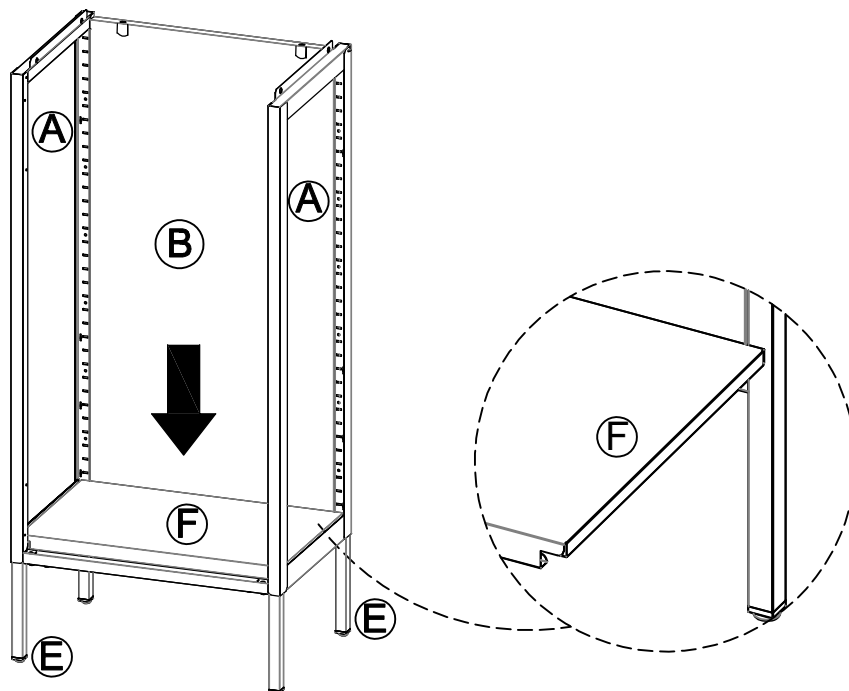
(3) - Attach (B) to (A) as below shown.



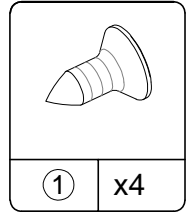
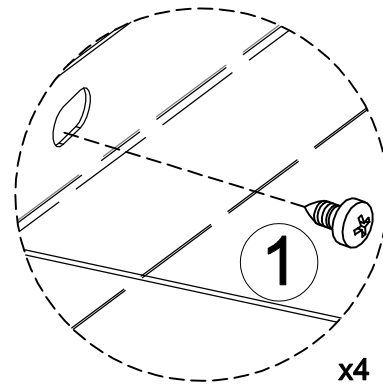
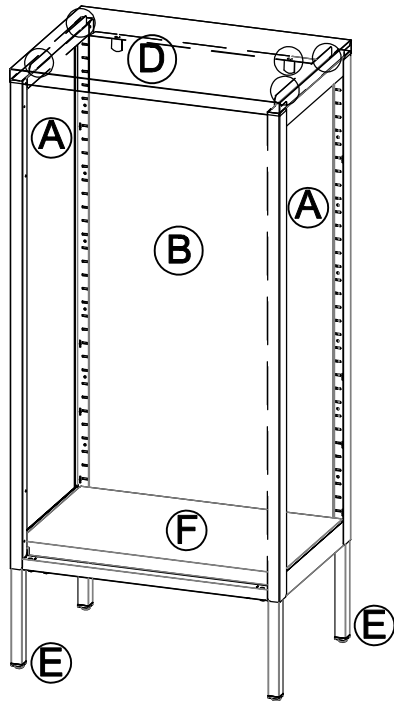
(4) - Attach (B) to (A) & (E) as below shown.



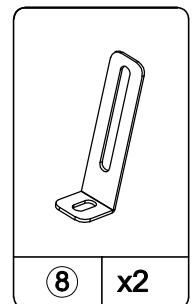
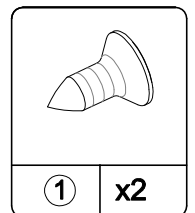
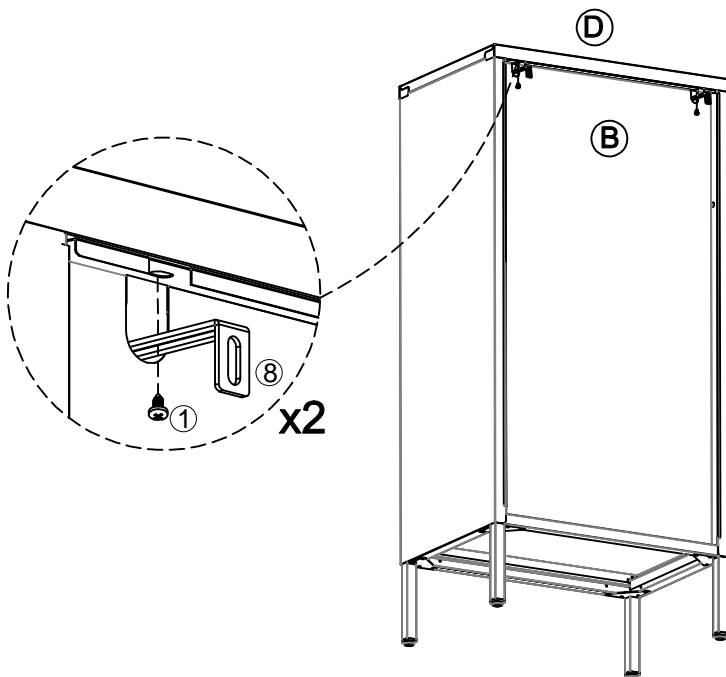
(5) - Attach (F) to (A) & (B) & (E) as below shown.



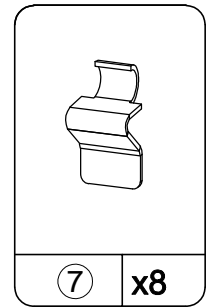
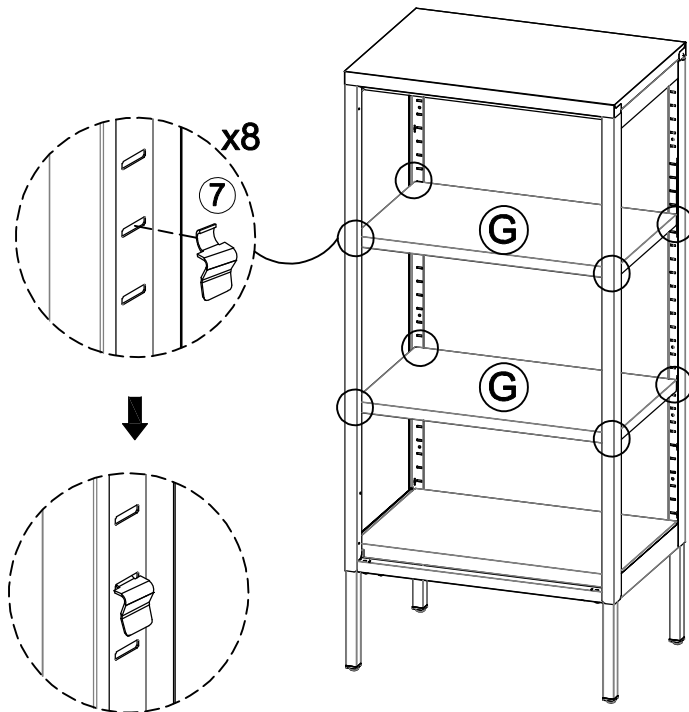
(6) - Attach (D) to (A) as below shown.



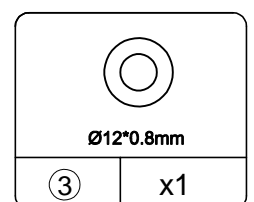
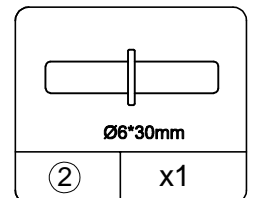
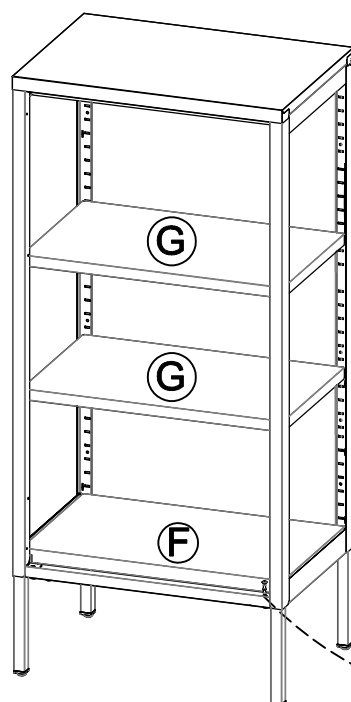
(7) - Attach (D) to (B) as below shown.



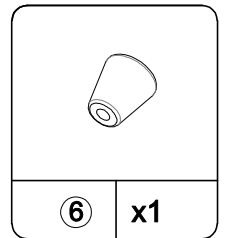
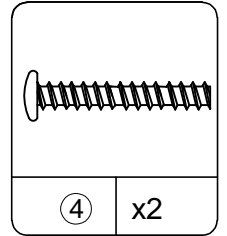
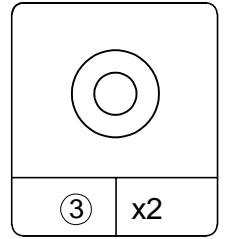
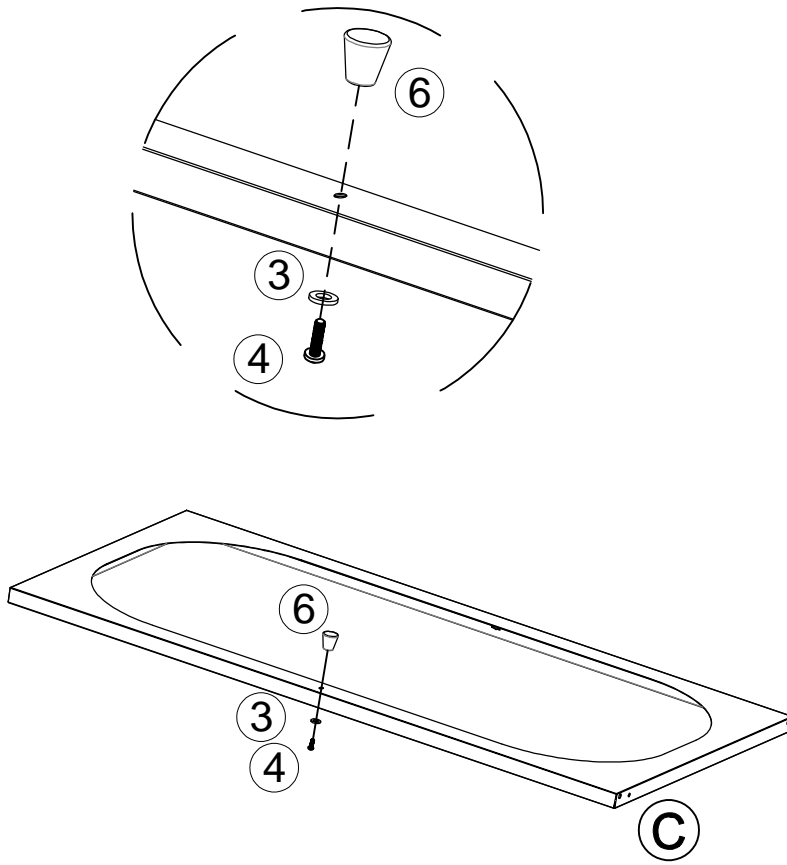
(8) - Attach (G) to pre-assembled unit as below shown.



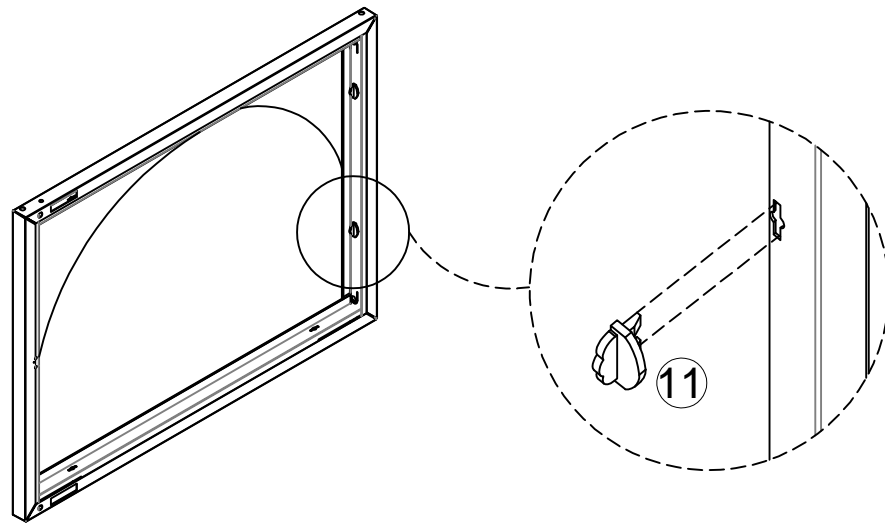
(9) - Attach (2) & (3) to pre-assembled unit as below shown.



(10)- Attach (6) to (C) as below shown.

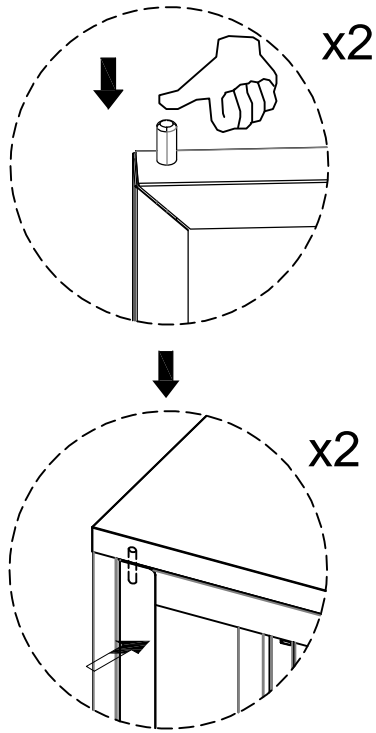


spare parts of glass buckle

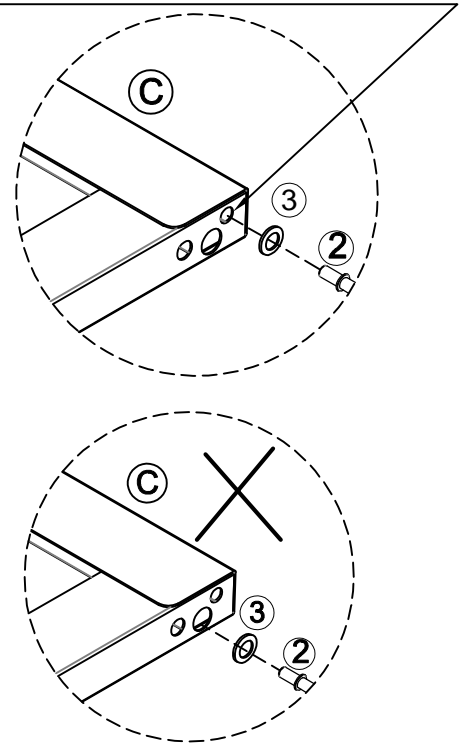
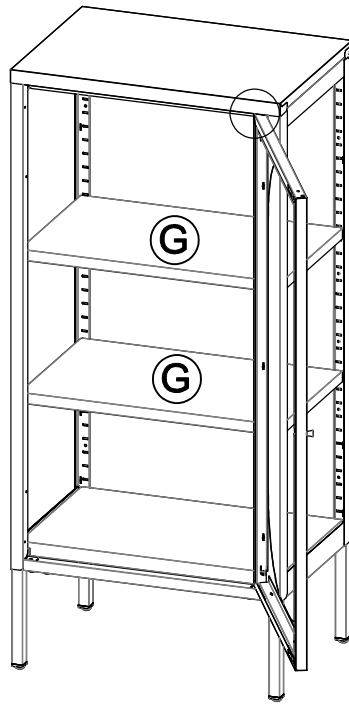




(11) - Attach (C) to pre-assembled unit as below shown.



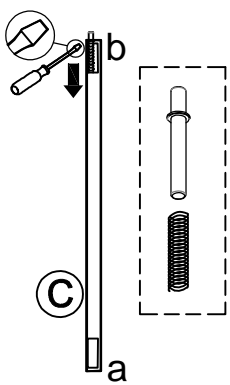
Make sure to use the hole which is nearest to side panel for inserting pin(2) otherwise will affect door assembling.



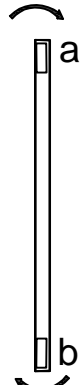
**door pillar exchange process**

**WARNING**

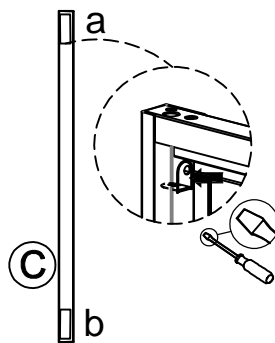
This step is just to switch the left door to the right door!



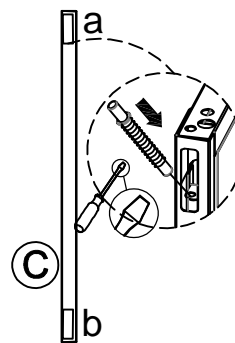
STEP 1



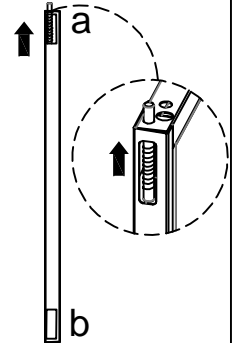
STEP 2



STEP 3

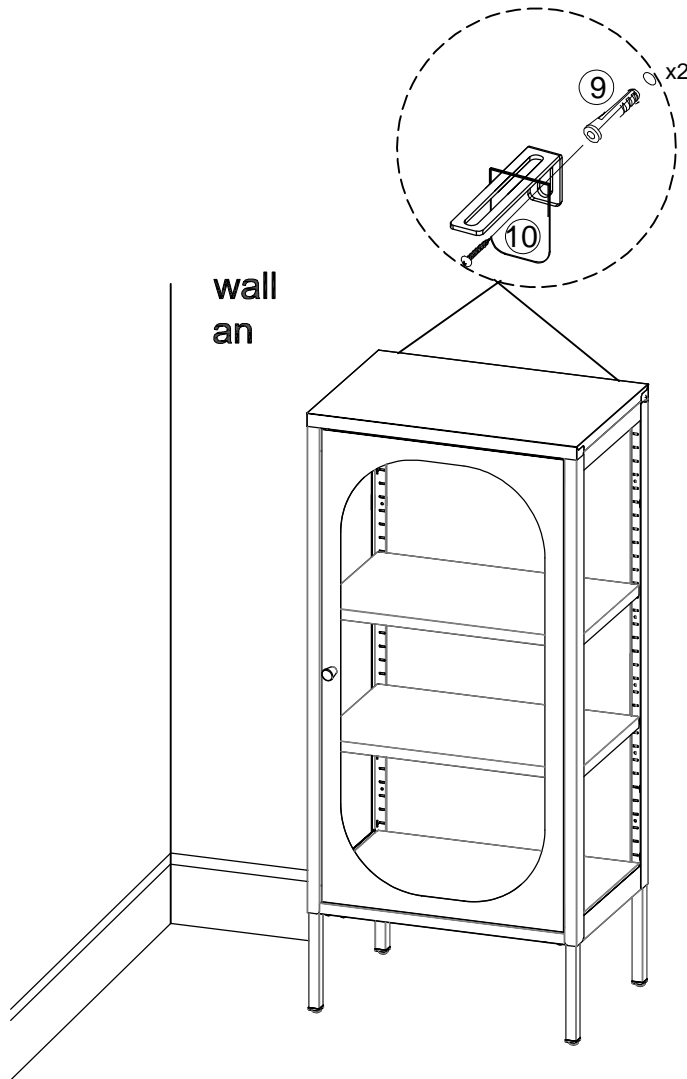
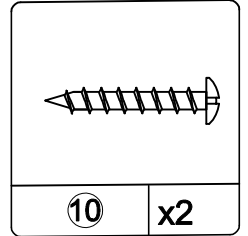
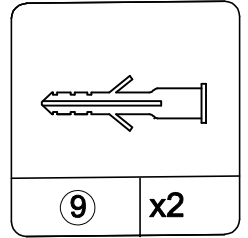


STEP 4



STEP 5

(12)



Gaps may appear between the top of the doors and the frame if the item is not on level ground; use the plastic foot cover to level.

