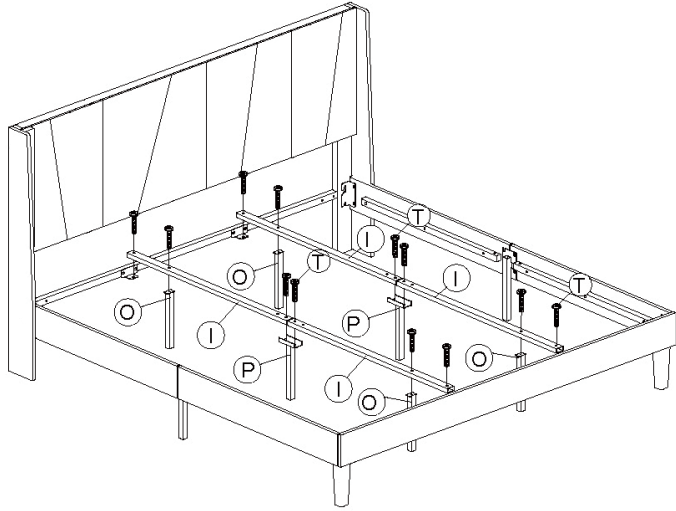
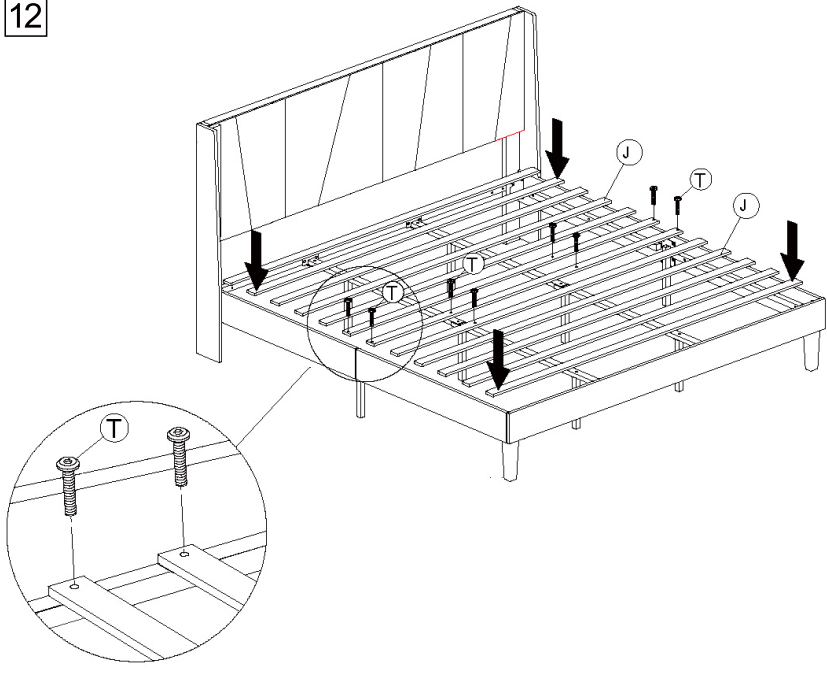


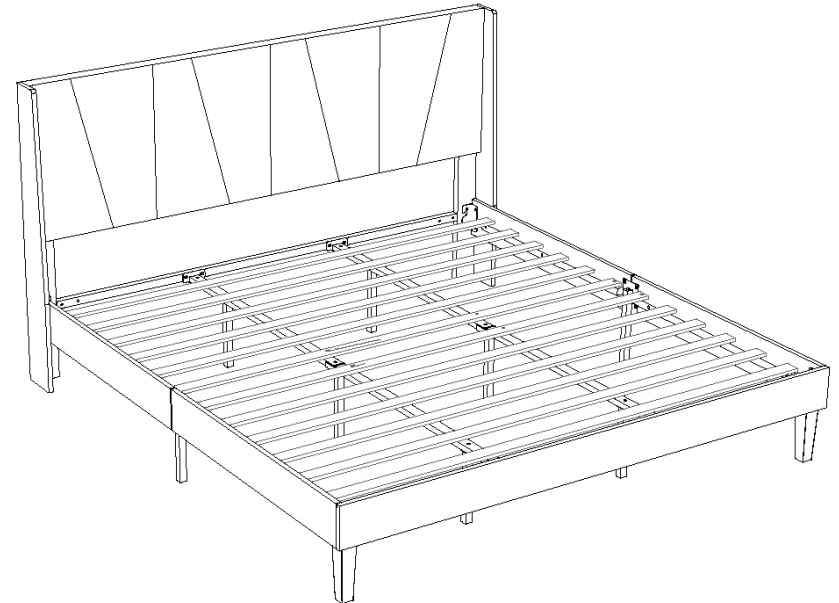
11



12



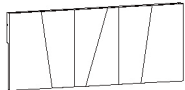

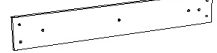
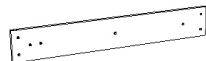
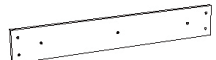
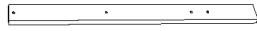

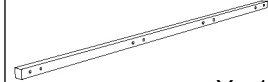


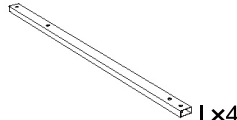


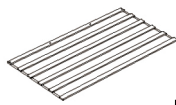


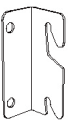
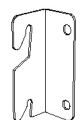

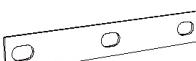
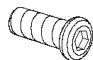
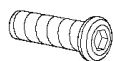
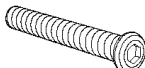

PLATFORM BED TMYJHHYC003 ORIGINAL INSTRUCTION MANUAL

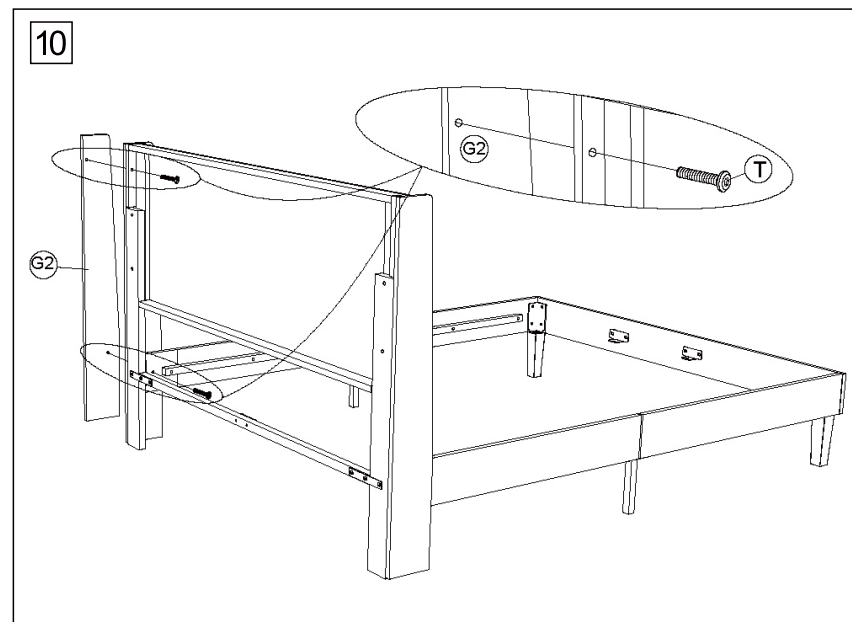
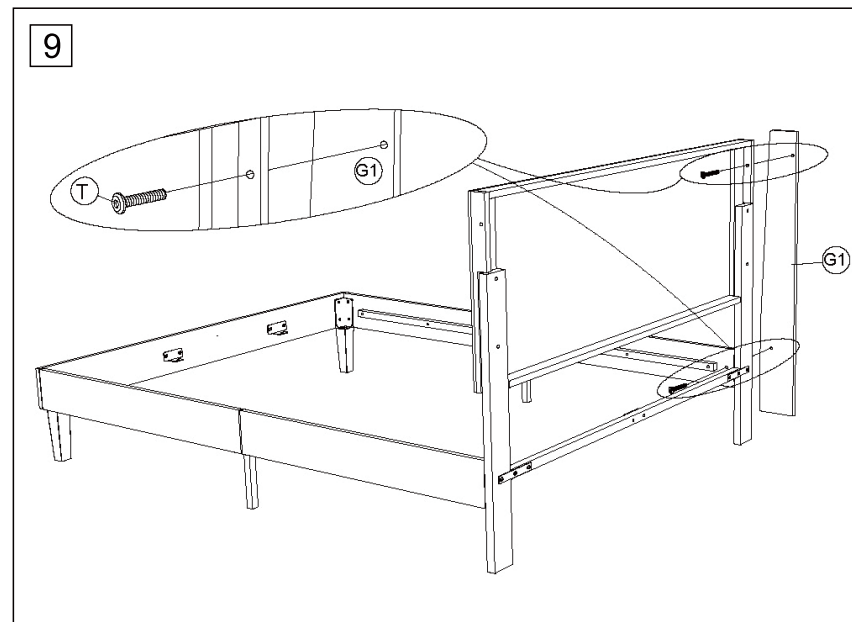


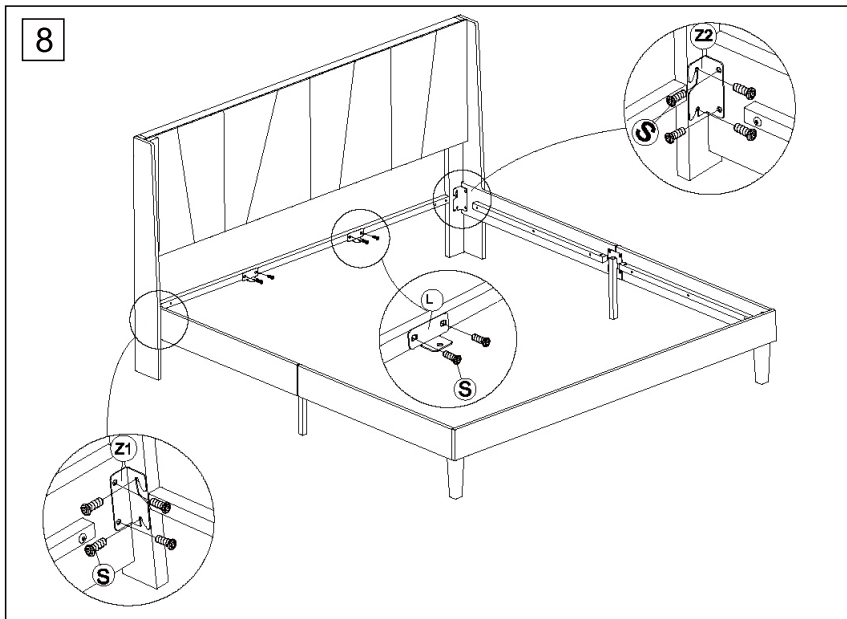
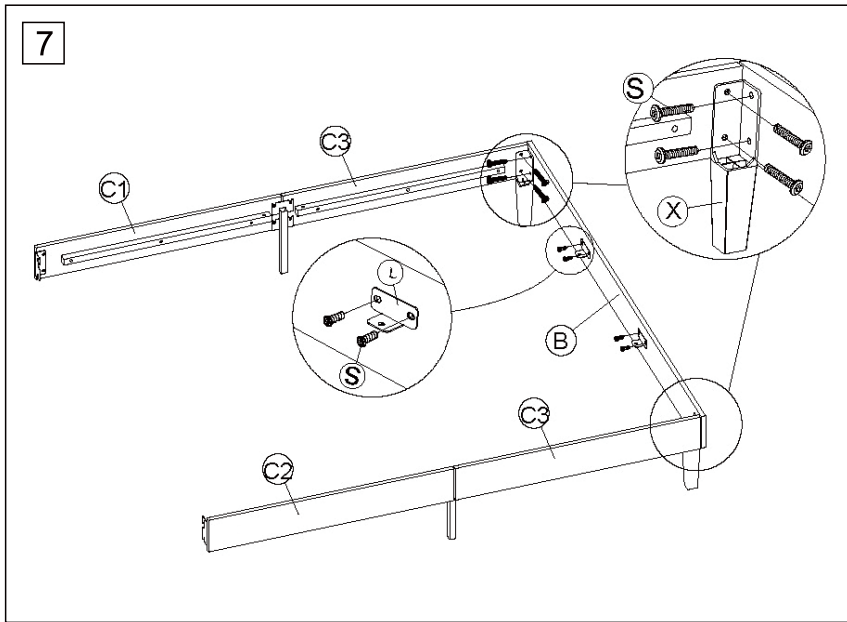
DEAR CUSTOMER,

Thank you for choosing our product. Please read this manual carefully before assembling or using the product, to avoid damage caused by improper use. If the product is passed on to third parties, this manual has to be passed on along with the product. For any question don't hesitate to contact us.

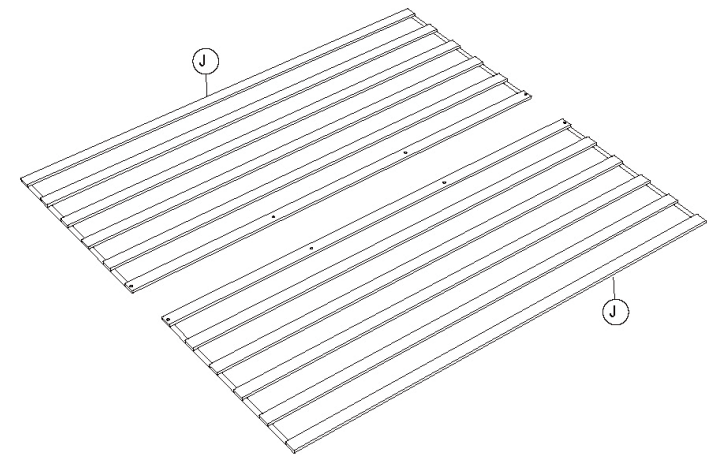
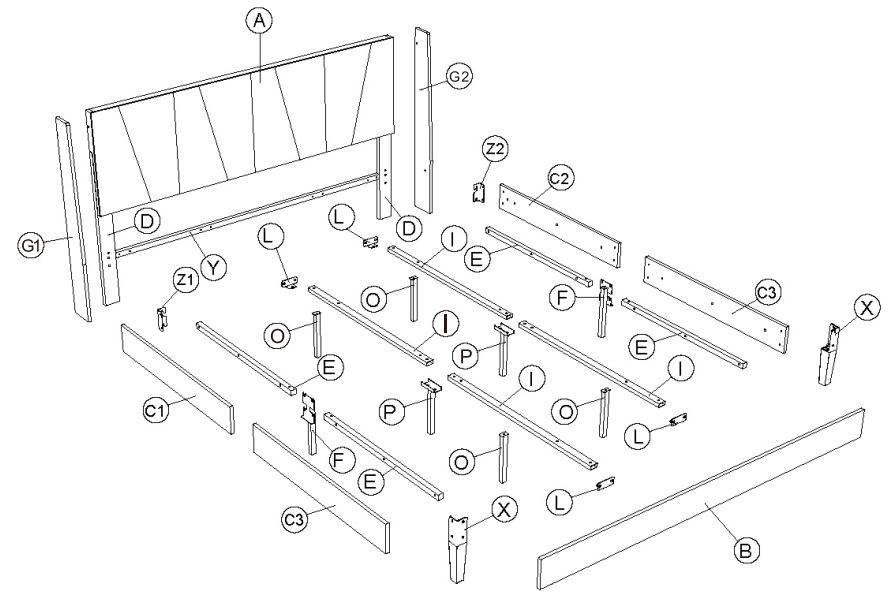
PARTS LIST

		
A x1	B x1	C1 x1
		
C2 x1	C3 x2	D x2
		
E x4	Y x1	G1 x1
		
G2 x1	I x4	P x2
		
O x4	J x2	X x2
		
F x2	Z1 x1	Z2 x1
		
L x4	R x2	M8*22MM S x38
		
M8*32MM T x24	M8*47MM W x16	V x1





EXPLODED VIEW



ASSEMBLY

Before your installation, please make sure that you have all the parts listed on the manual. If you find something missing, and contact supplier immediately.

