
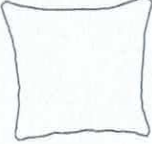
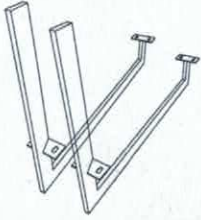
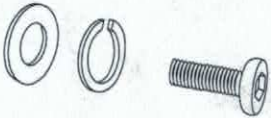



# Assembly Instructions

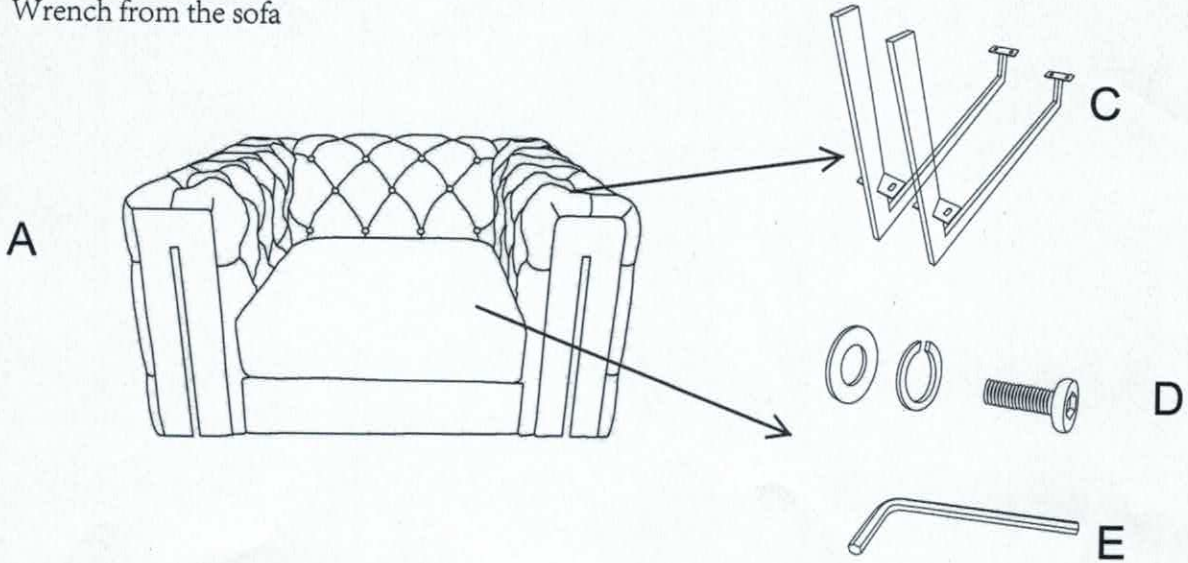
## Parts List

Label	Picture	Description	QTY
A		Sofa	1
B		Pillow	1
C		Metal Leg	2
D		Hardware	8
E		Wrench	1

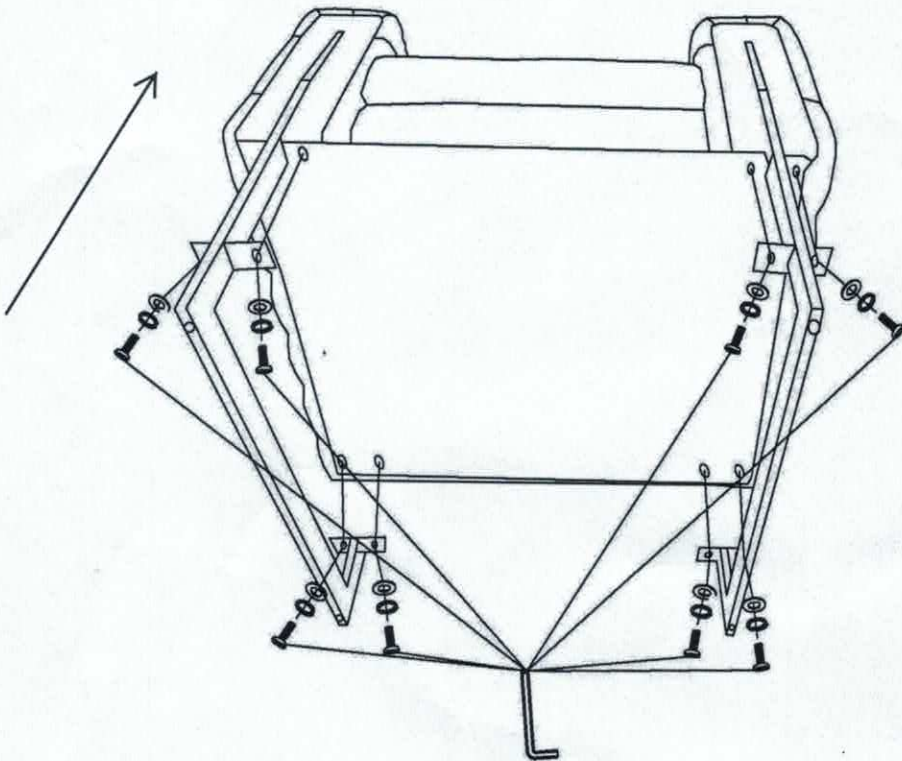
## Assembly Steps

### Step 1

Take out the metal leg, hardware and Wrench from the sofa



### Step 2



Insert the metal leg into the gap and tighten the hardware with a wrench

Assembly Steps

Step 3

**Finish**

