








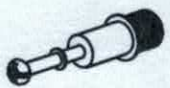

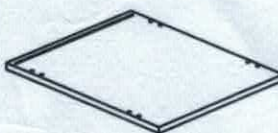







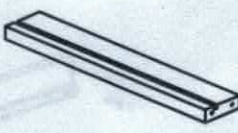



Assembly Instructions

Fitting List

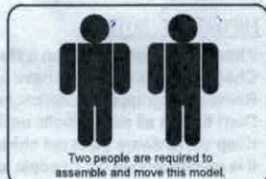
<p>A</p>  <p>Screw (3.5*14mm) 16 Pcs</p>	<p>B</p>  <p>Stick for drawer 4 Pcs</p>	<p>C</p>  <p>Screw M7*38 4 Pcs</p>	<p>D</p>  <p>Wheel 2 Pcs</p>	<p>E</p>  <p>Locking Wheel 2 Pcs</p>
<p>F</p>  <p>Screw (35mm) 12 Pcs</p>	<p>G</p>  <p>Large Wood Dowel - 8 Pcs</p>	<p>H</p>  <p>Small Cam Bolt 12 Pcs</p>	<p>I</p>  <p>Small Cam Lock 12 Pcs</p>	<p>J</p>  <p>Large Cam Bolt 4 Pcs</p>
<p>K</p>  <p>Large Cam Lock 4 Pcs</p>				

Parts List

<p>①</p>  <p>Top Panel 1 Pc</p>	<p>②</p>  <p>Left Side Panel 1 Pc</p>	<p>③</p>  <p>Right Side Panel 1 Pc</p>	<p>④</p>  <p>Bottom Panel 1 Pc</p>	<p>⑤</p>  <p>Back Panel 1 Pcs</p>
<p>⑥</p>  <p>Front Panel (Drawer) 3 Pcs</p>	<p>⑦</p>  <p>Left Panel (Drawer) 3 Pcs</p>	<p>⑧</p>  <p>Right Panel (Drawer) 3 Pcs</p>	<p>⑨</p>  <p>Back Panel (Drawer) 3 Pcs</p>	<p>⑩</p>  <p>Bottom Board 3 Pcs</p>

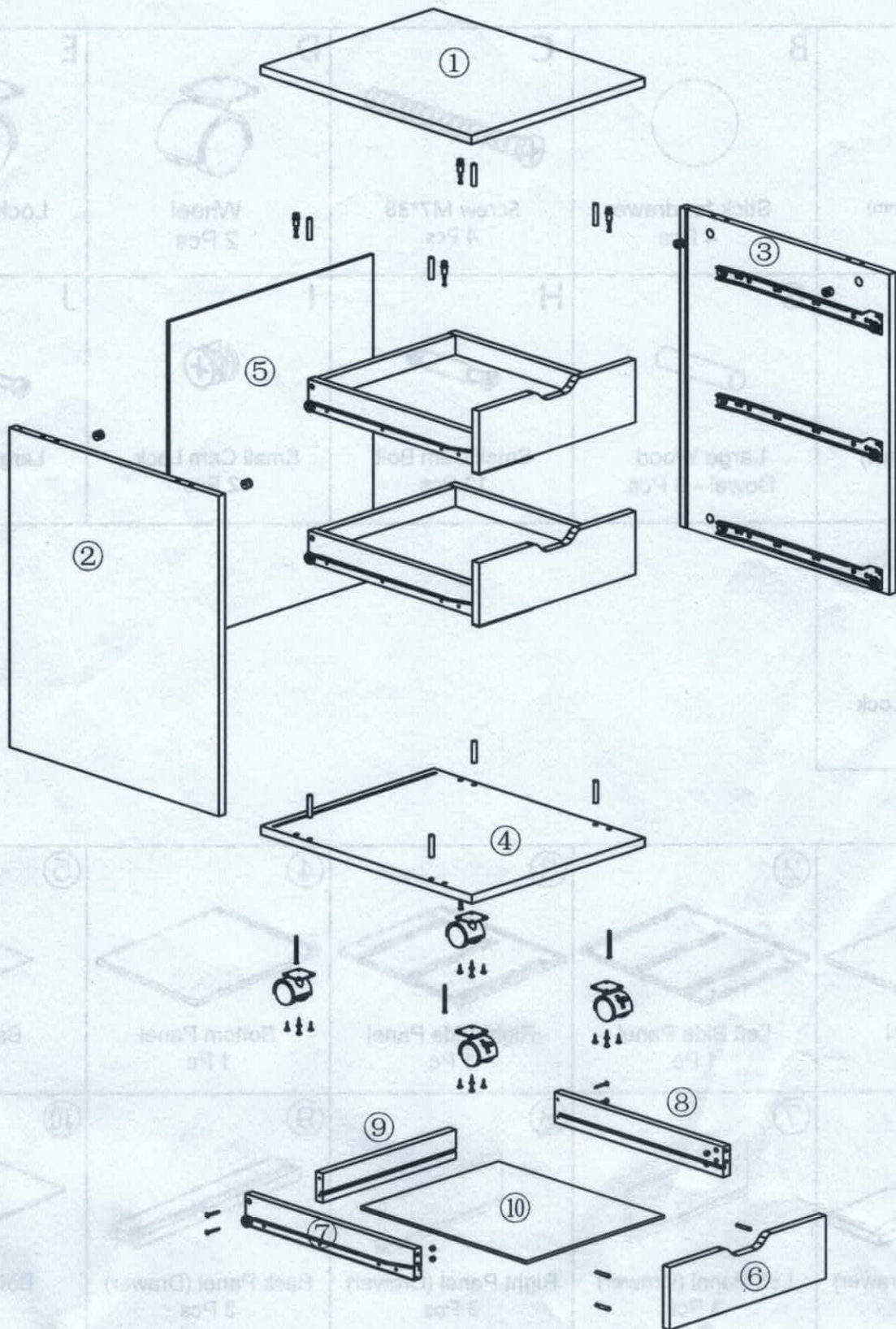
IMPORTANT NOTE:

- Place all laminated parts on a clean and smooth surface such as a rug or carpet to avoid the parts from being scratched.
- Check to be sure that you have all parts and hardware.
- Remove all wrapping materials, including staples and packing straps before you start to assemble.
- Don't tighten all screws/bolts until all the pieces are completely assembled.
- Keep all hardware parts out children's reach.
- It is recommended for 2 people to complete this assembled.



Assembly Instructions

Overall View

**IMPORTANT NOTE:**

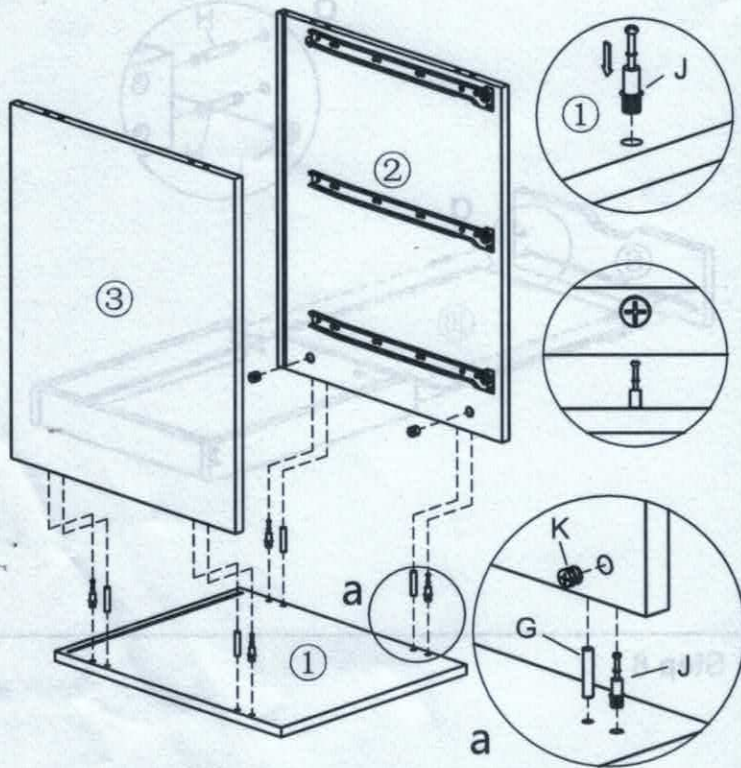
- Place all laminated parts on a clean and smooth surface such as a rug or carpet to avoid the parts from being scratched.
- Check to be sure that you have all parts and hardware.
- Remove all wrapping materials, including staples and packing straps before you start to assemble.
- Don't tighten all screws/bolts until all the pieces are completely assembled.
- Keep all hardware parts out children's reach.
- It is recommended for 2 people to complete this assembled.



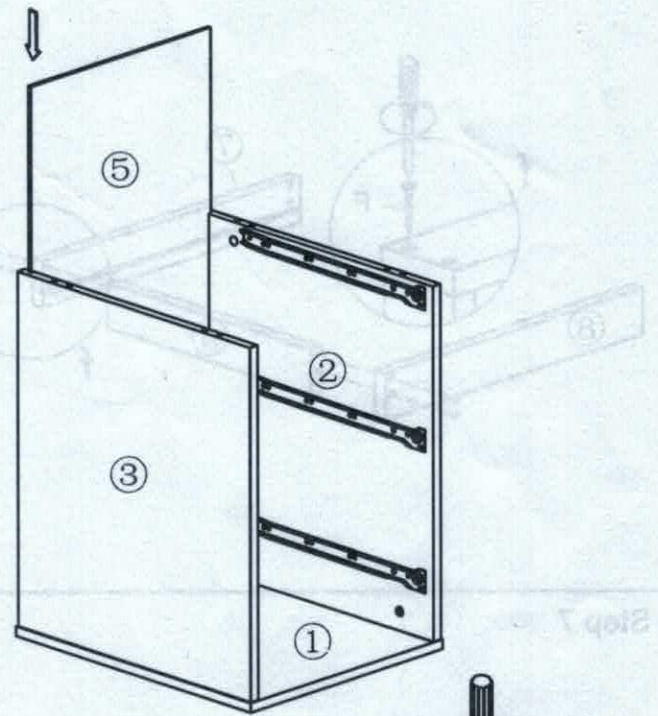
Two people are required to assemble and move this model.

Assembly Instructions

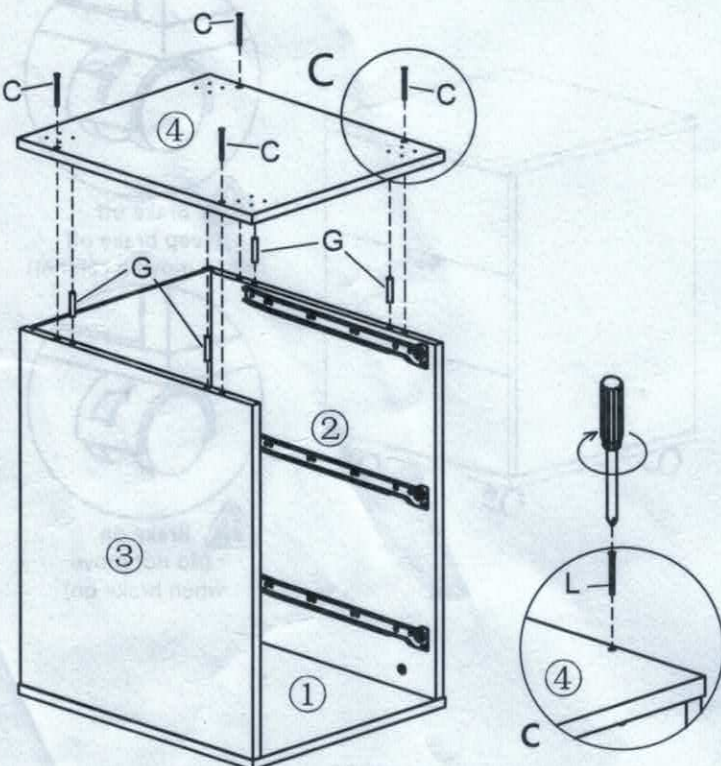
Step 1



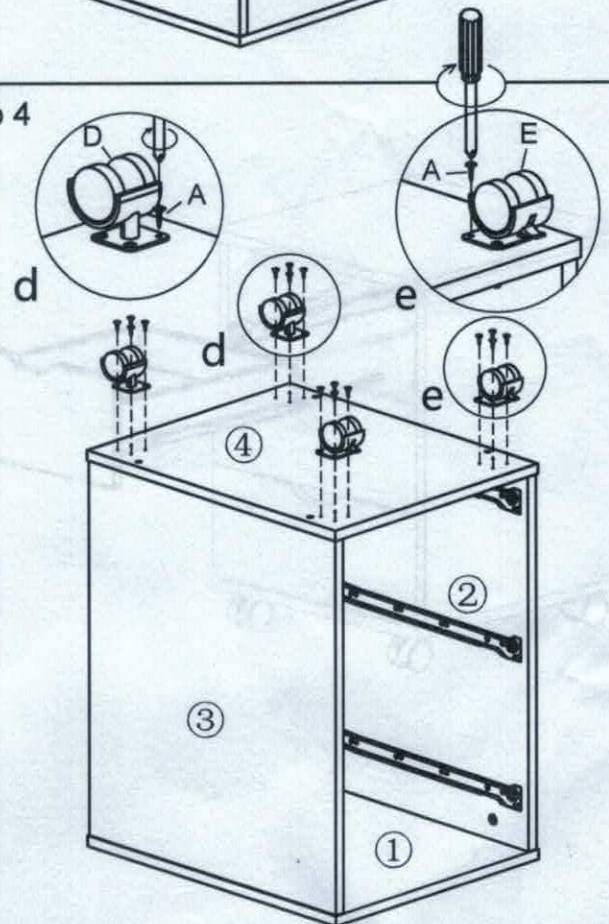
Step 2



Step 3



Step 4



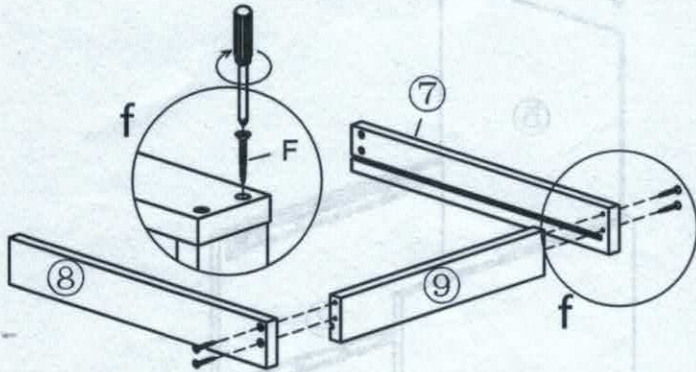
IMPORTANT NOTE:

- Place all laminated parts on a clean and smooth surface such as a rug or carpet to avoid the parts from being scratched.
- Check to be sure that you have all parts and hardware.
- Remove all wrapping materials, including staples and packing straps before you start to assemble.
- Don't tighten all screws/bolts until all the pieces are completely assembled.
- Keep all hardware parts out children's reach.
- It is recommended for 2 people to complete this assembled.

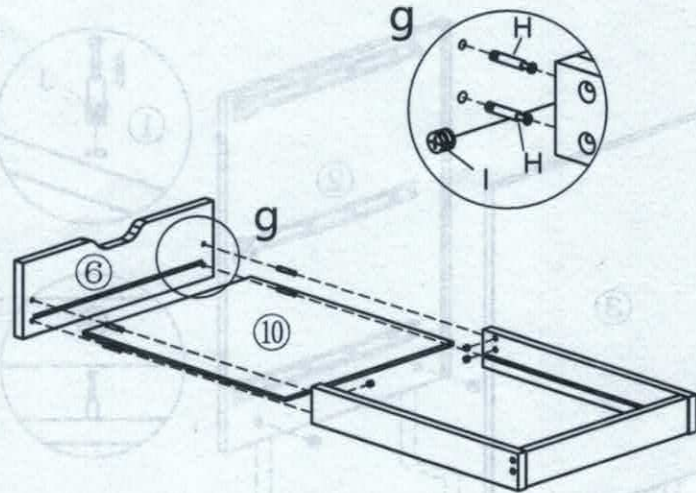


Assembly Instructions

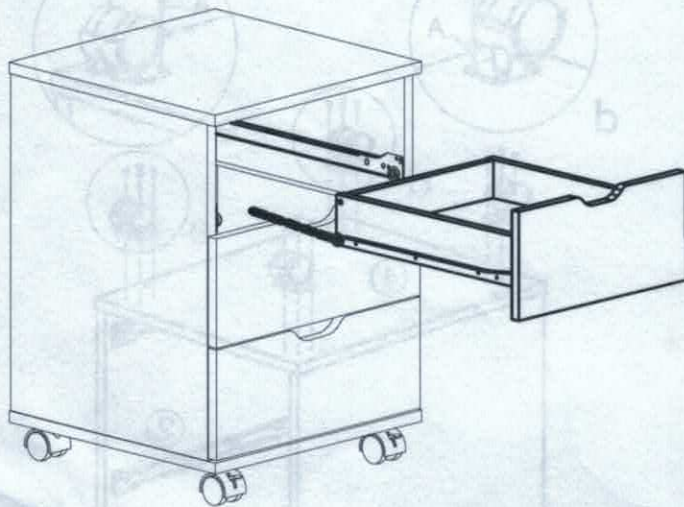
Step 5



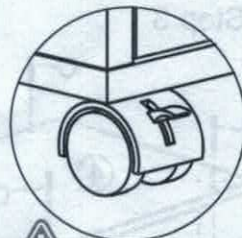
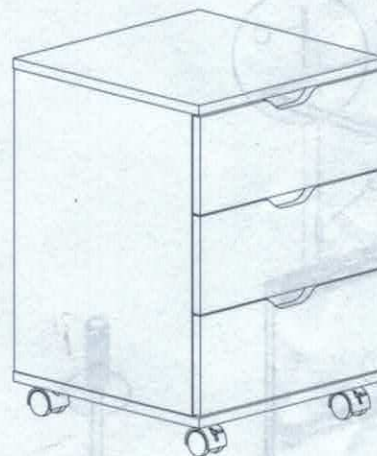
Step 6



Step 7



Step 8



⚠ Brake off
(keep brake off
when moving cabinet)



⚠ Brake on
(do not move
when brake on)

IMPORTANT NOTE:

- Place all laminated parts on a clean and smooth surface such as a rug or carpet to avoid the parts from being scratched.
- Check to be sure that you have all parts and hardware.
- Remove all wrapping materials, including staples and packing straps before you start to assemble.
- Don't tighten all screws/bolts until all the pieces are completely assembled.
- Keep all hardware parts out children's reach.
- It is recommended for 2 people to complete this assembled.

