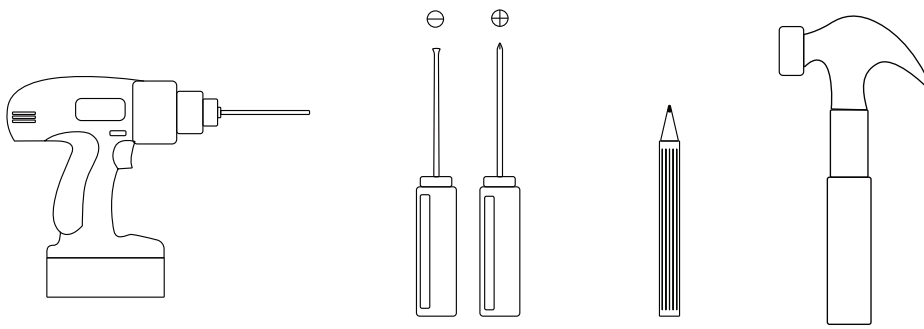
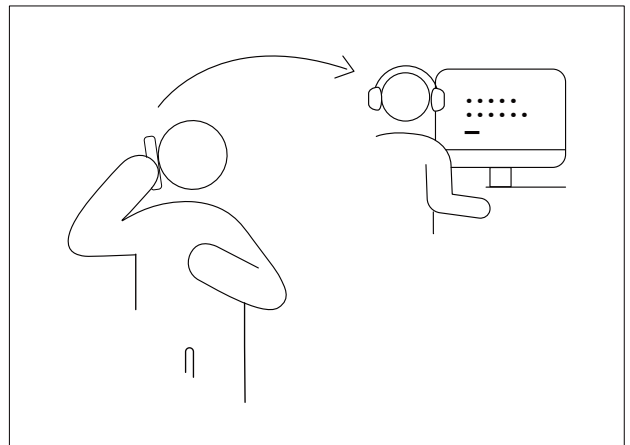
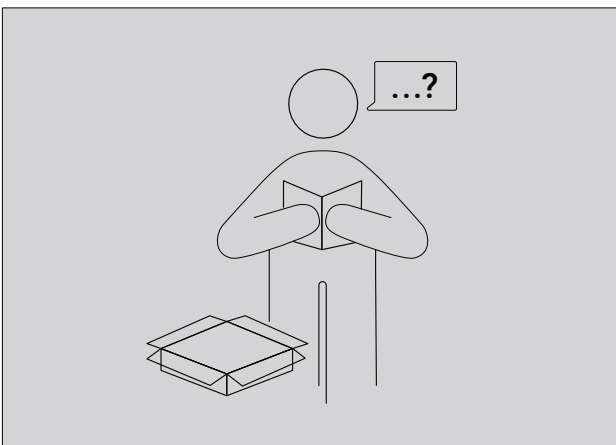
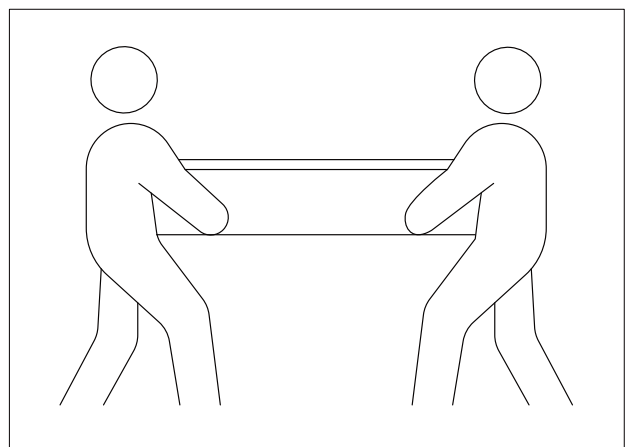
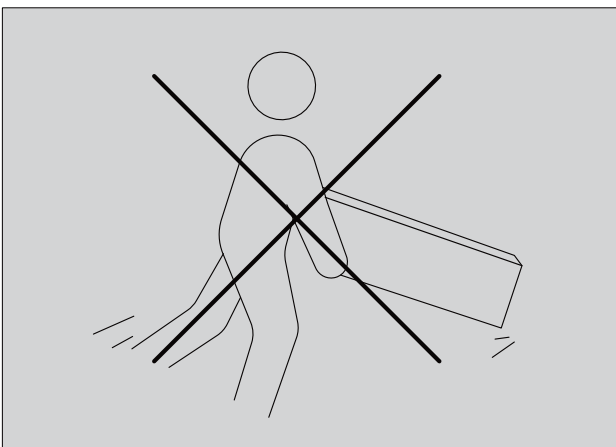
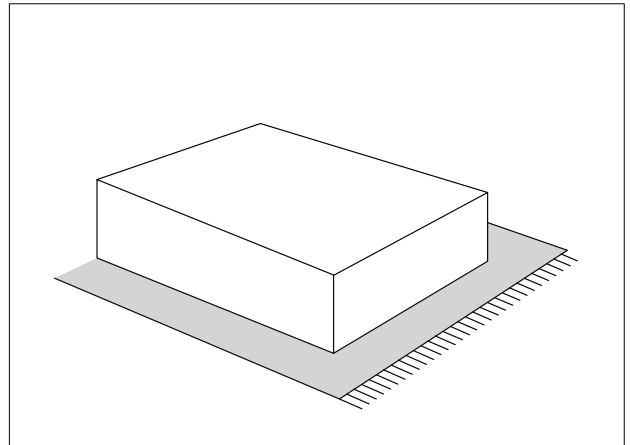
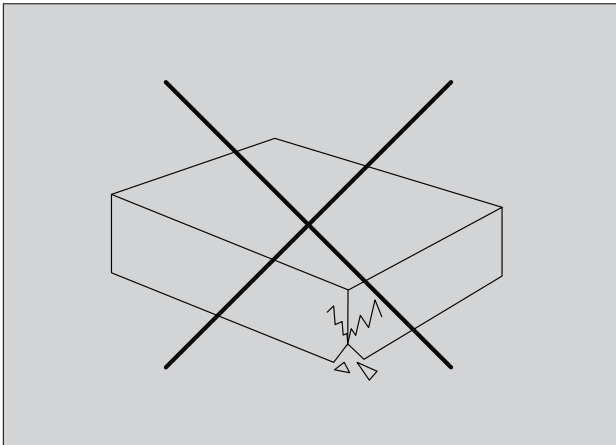


End Table

Perfectly designed with simplicity in mind

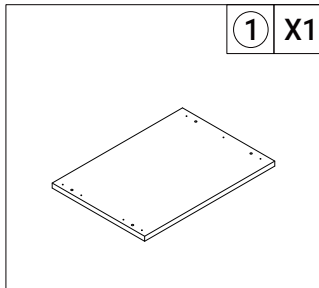


If you have these tools at home to assist you, assembly will be quicker.
If not, no worries, we have included everything required for assembly in the package.

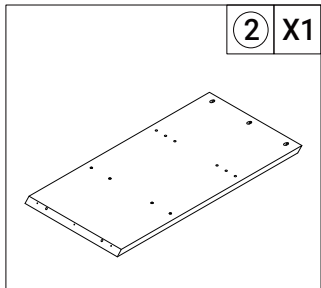


PARTS

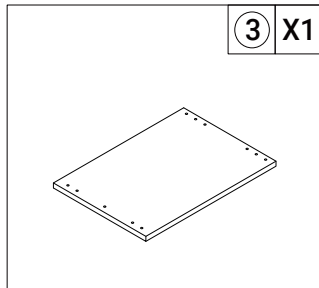
① X1



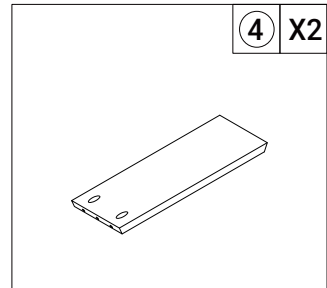
② X1



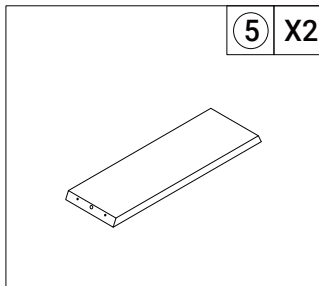
③ X1



④ X2



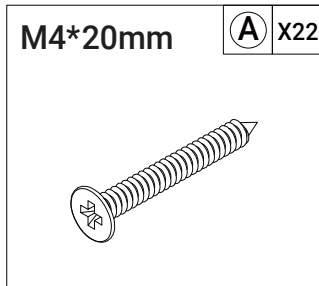
⑤ X2



HARDWARE

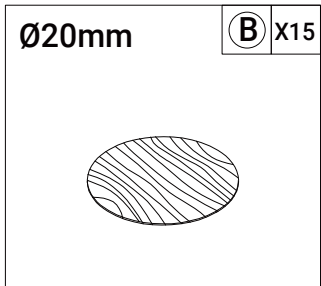
M4*20mm

Ⓐ X22



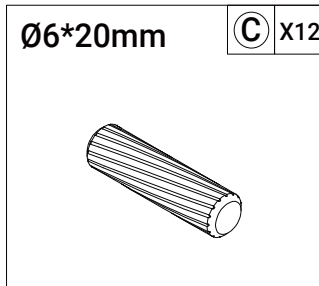
Ø20mm

Ⓑ X15



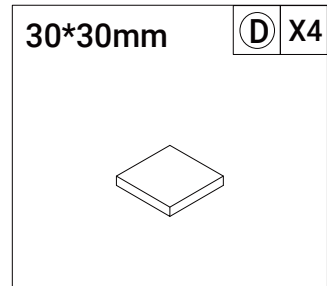
Ø6*20mm

Ⓒ X12



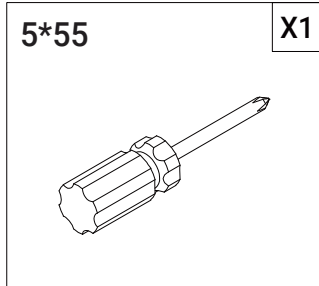
30*30mm

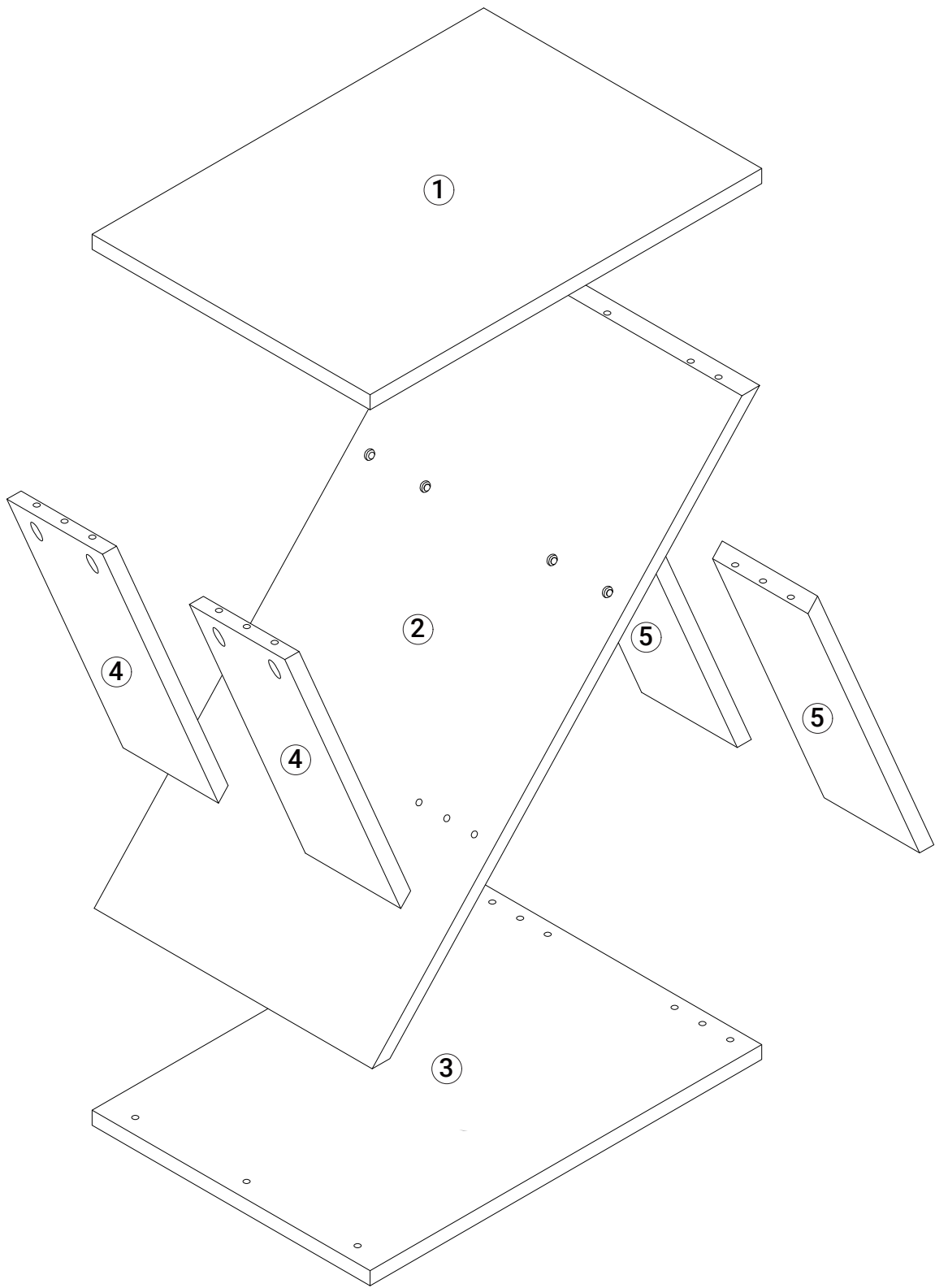
Ⓓ X4



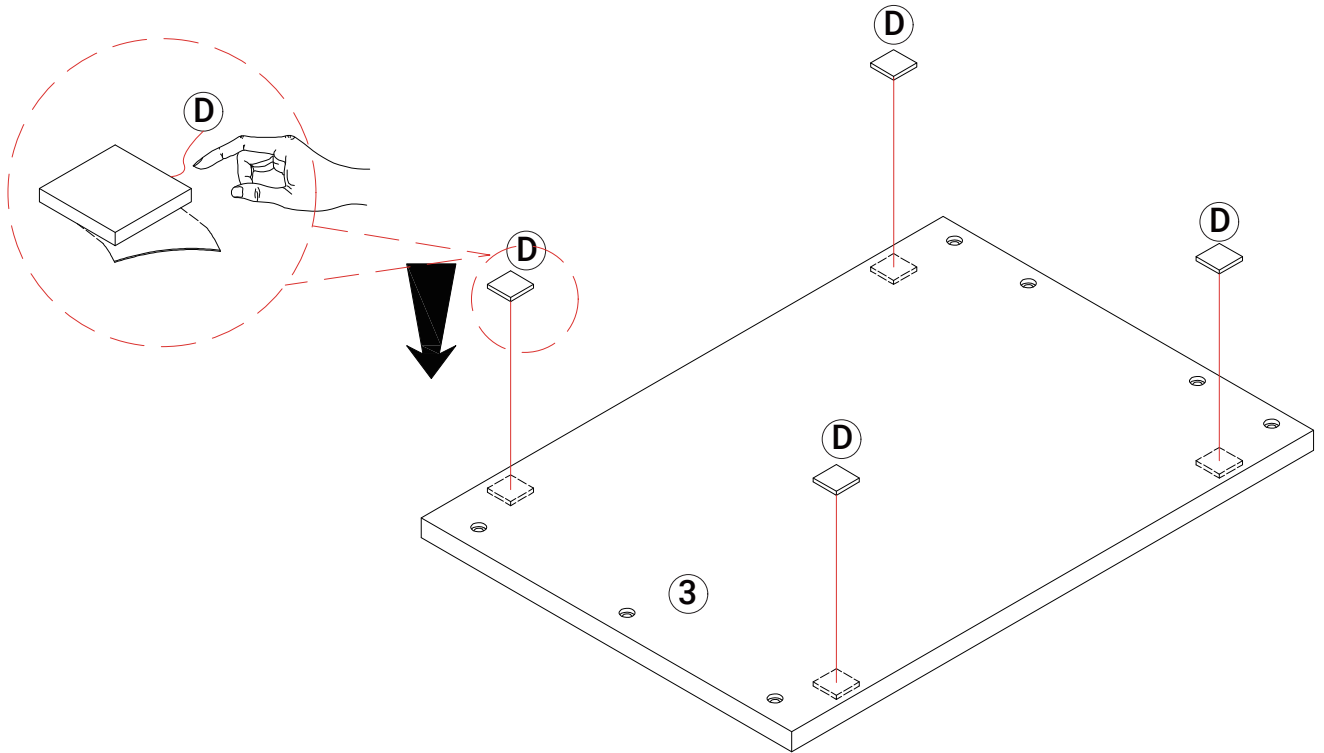
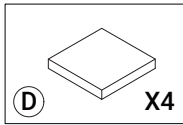
5*55

X1

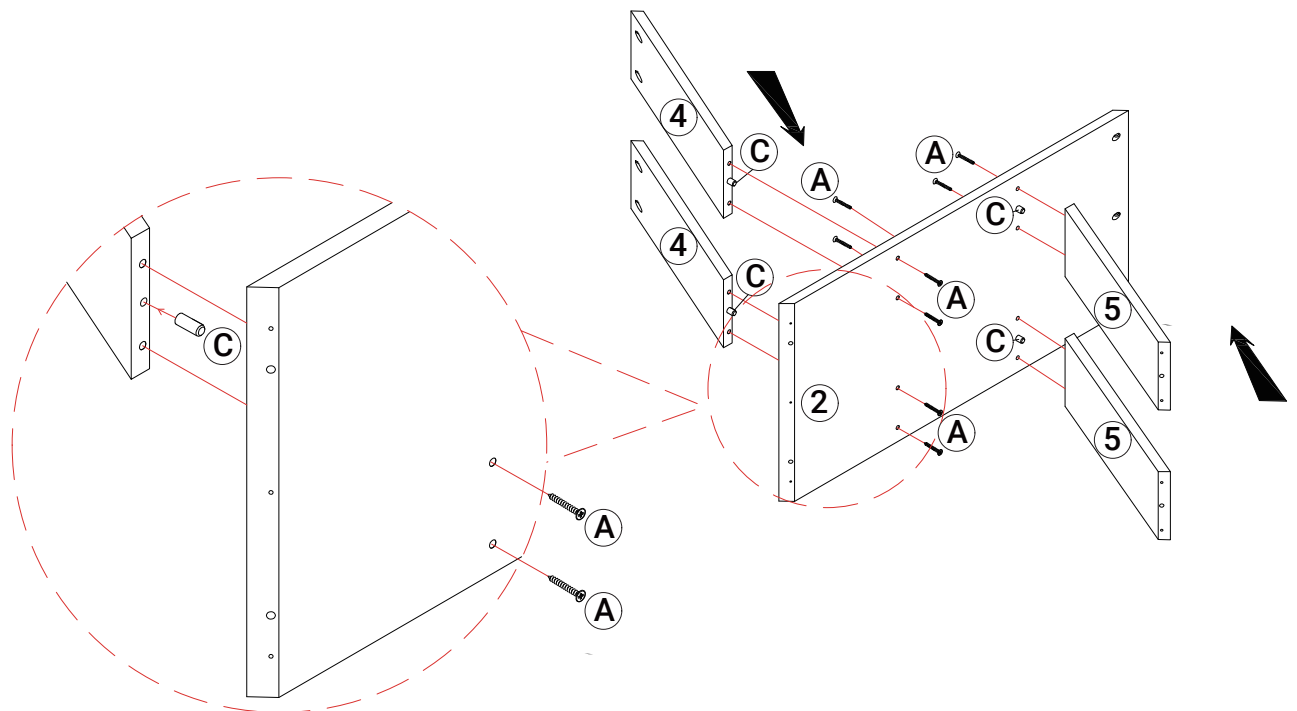
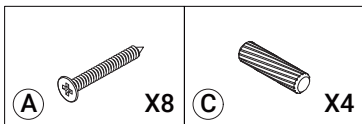




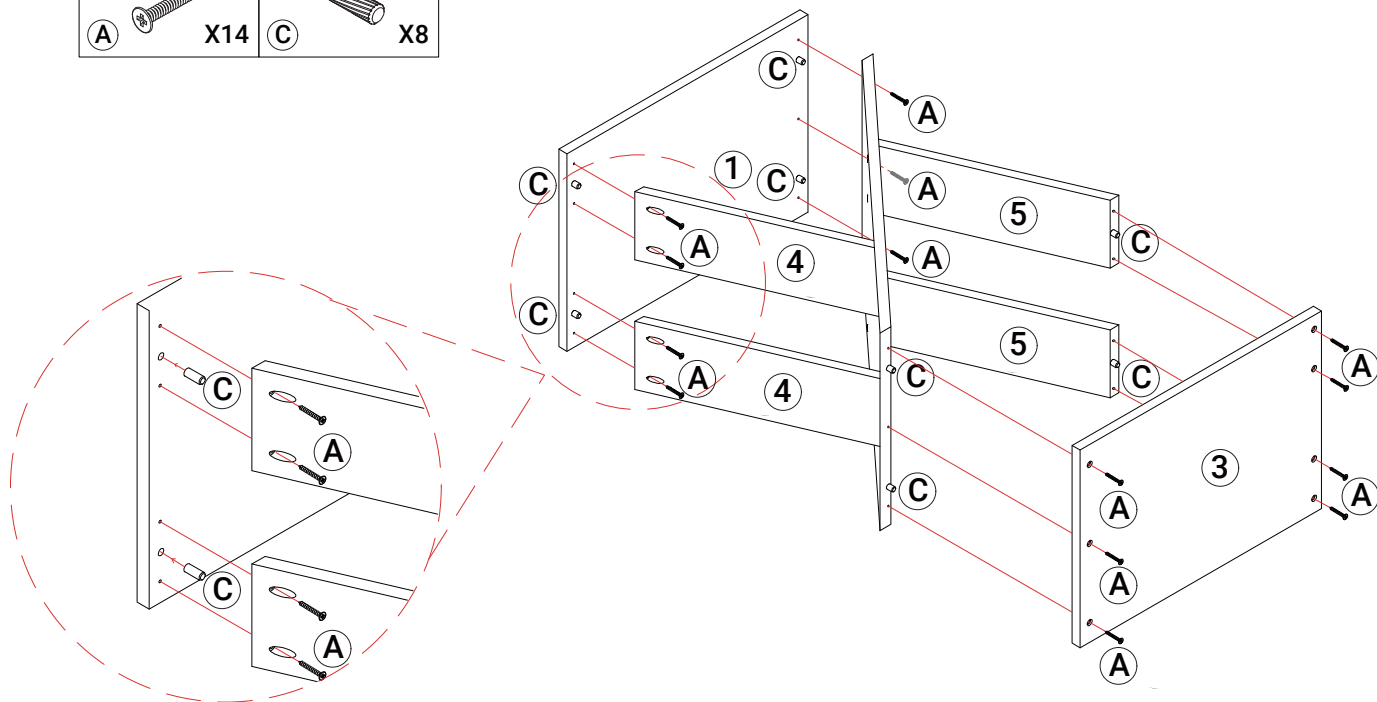
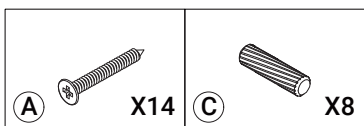
Step 1 | Let's get started. Start by adding the feet (D) to the base (3).



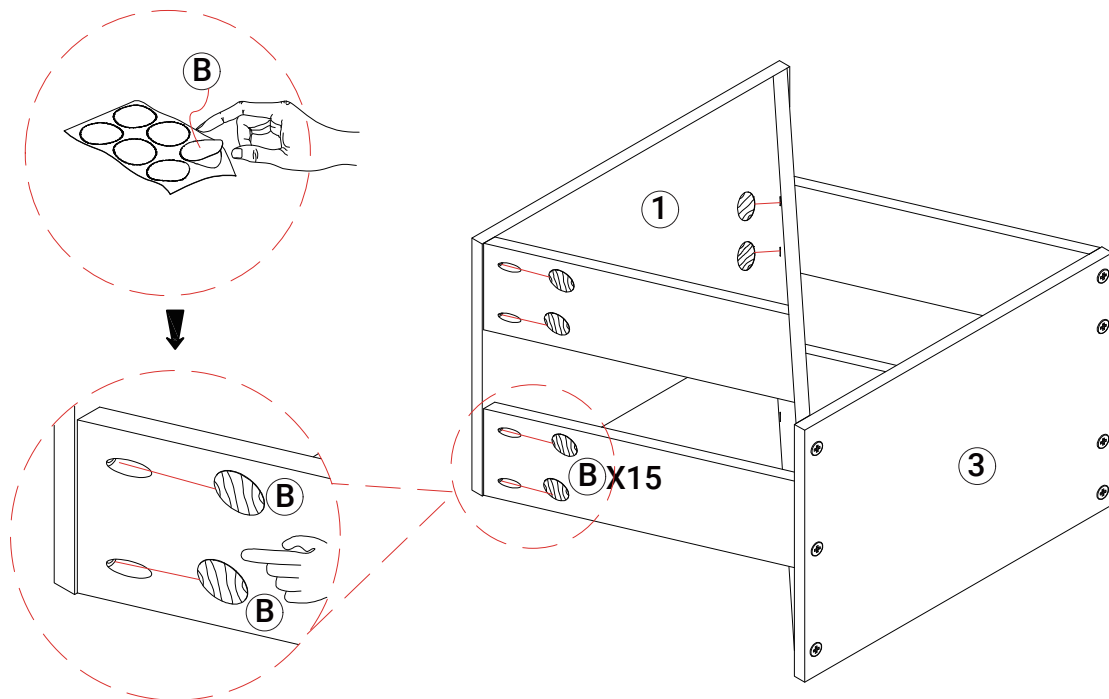
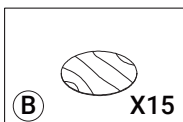
Step 2 | Next, build the frame by first putting a wooden dowel (C) in the center hole of boards 4 and 5, then attaching them to board 2 and securing in place with 2 screws (A) each.



Step 3 | Next, attach the table top (1) and bottom (3) to the frame by again placing a wooden dowel (C) in the center hole of boards 4 and 5 and the two inner holes of board 2 and then securing in place with 7 screws (A) for each side. Refer to the diagram for specific details.



Step 4 | Finally, cover all holes with the provided texture stickers (B).



Step 5 | Now that all your hard work is done, it's time to relax and enjoy your craftsmanship!

