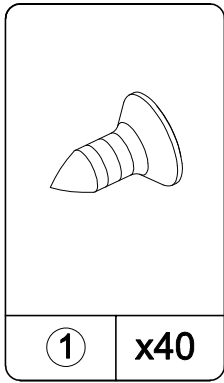


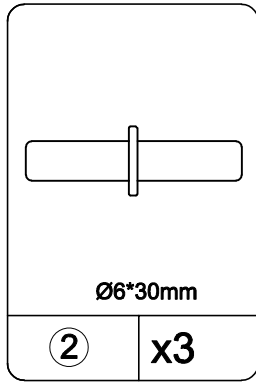
No.	Size	Qty
A	718x350x24mm	2
B	689.5x383x23mm	1
B1	689.5x383x23mm	1
B2	689.5x383x23mm	1
C1	671x337x20mm	1

No.	Size	Qty
C2	671x337x20mm	2
D	1201x352x38mm	1
E	320x1193x20mm	2
F	1186x301x25mm	1
G	1186x300x20mm	1



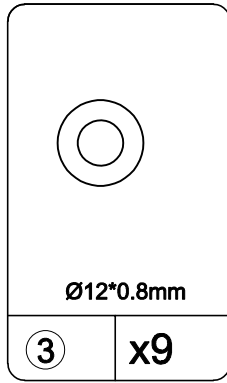
① x40

spare:2



Ø6*30mm

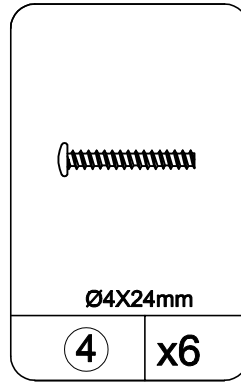
② x3



Ø12*0.8mm

③ x9

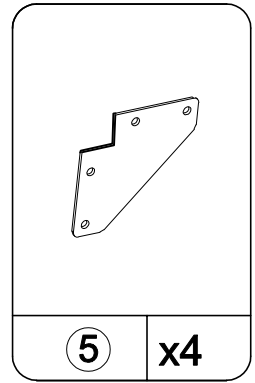
spare:2



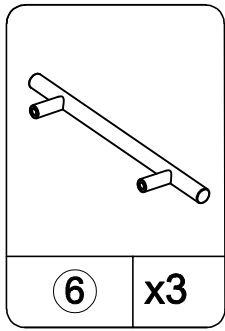
Ø4X24mm

④ x6

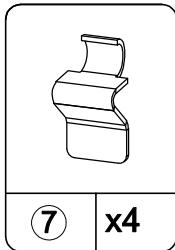
spare:2



⑤ x4

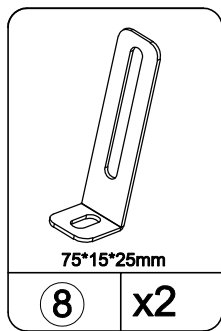


⑥ x3



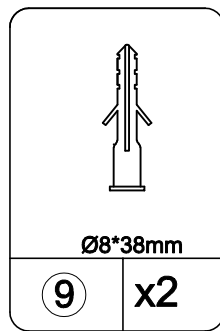
⑦ x4

spare:2



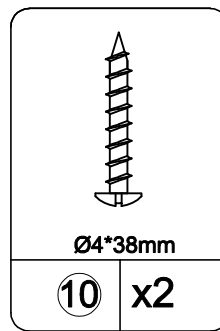
75*15*25mm

⑧ x2



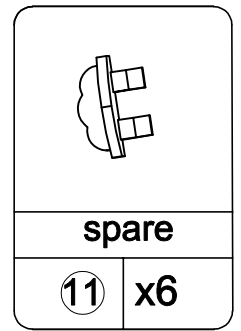
Ø8*38mm

⑨ x2



Ø4*38mm

⑩ x2

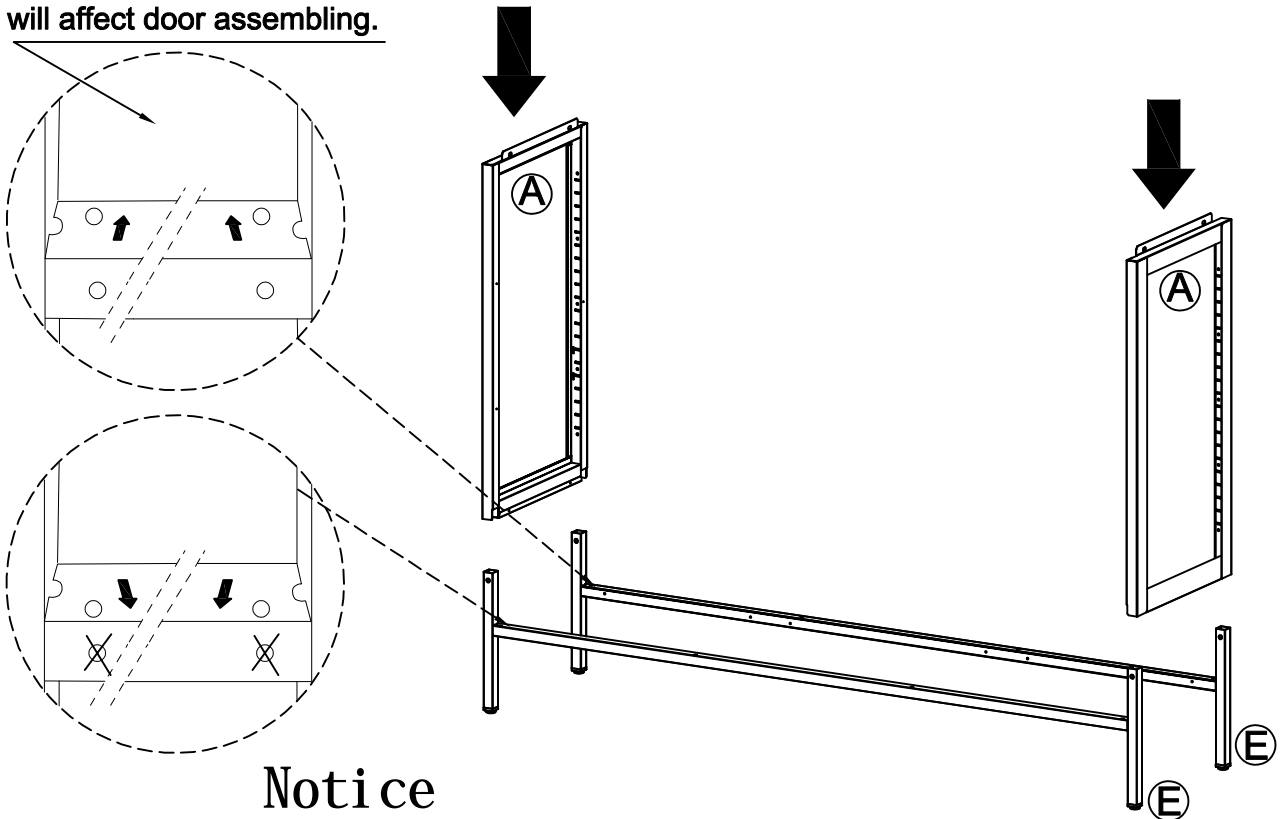


spare

⑪ x6

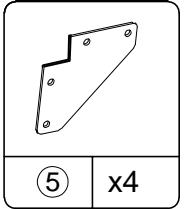
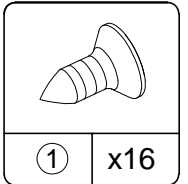
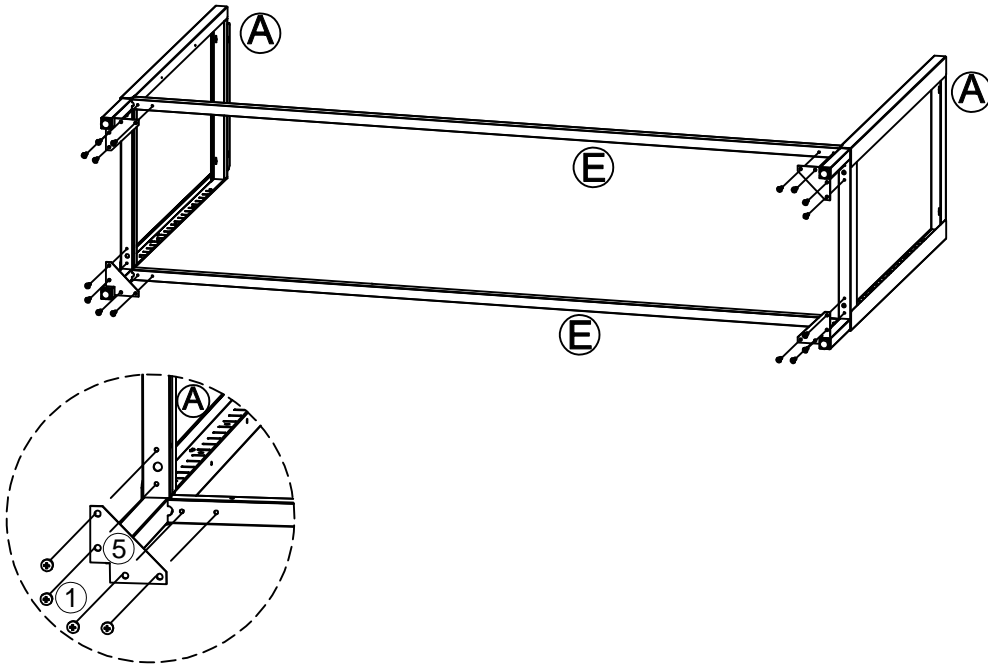
(1) - Attach (A) to (E) as below shown.

Make sure the holes are nearest to outside otherwise will affect door assembling.

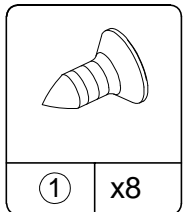
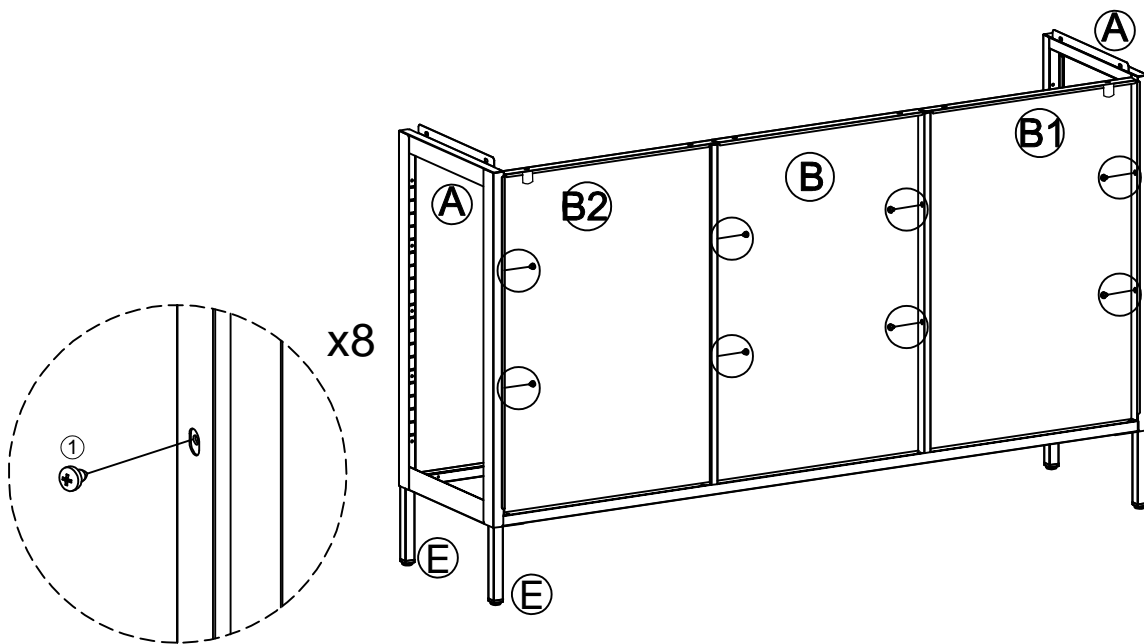


Notice

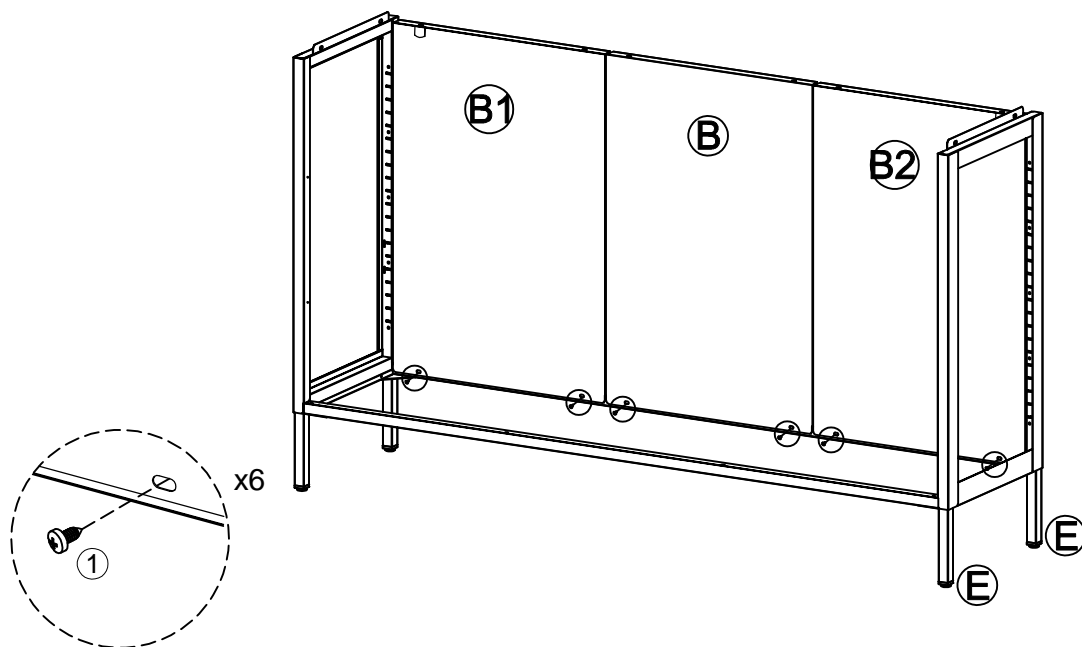
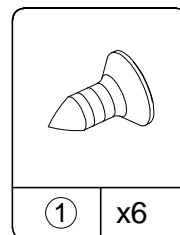
(2) - Attach ⑤ to (A) & (E) as below shown.



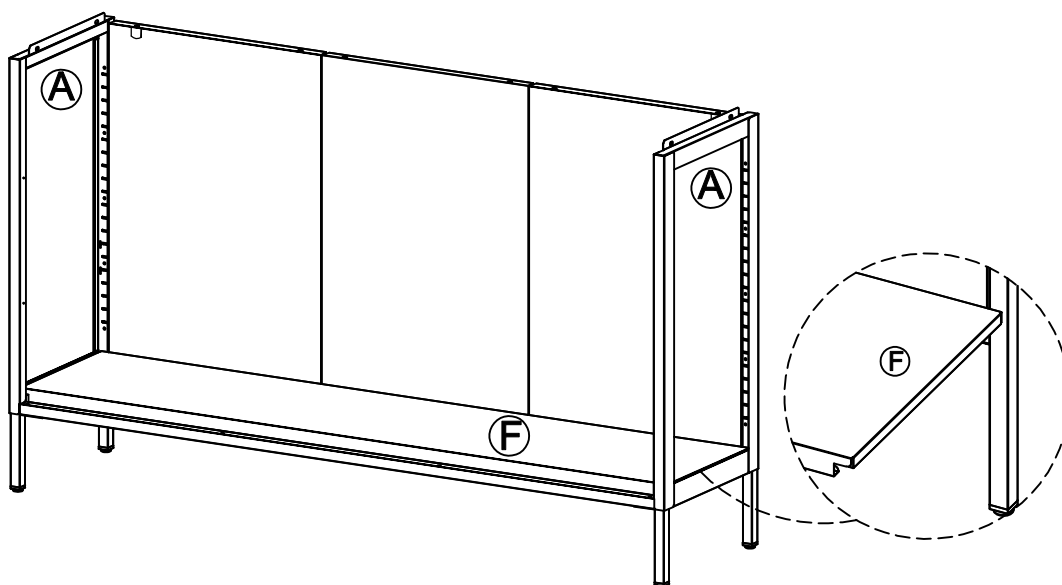
(3) - Attach (B) & (B1) & (B2) to (A) as below shown.



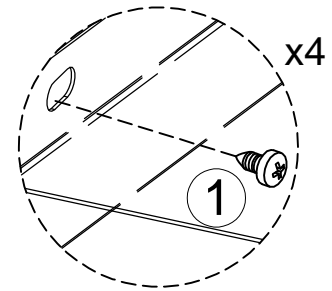
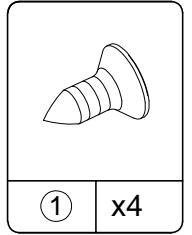
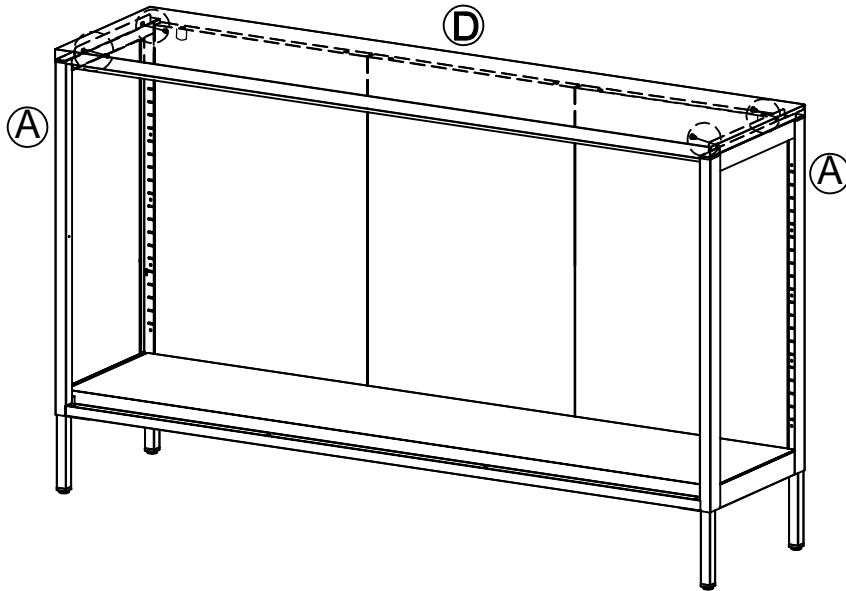
(4) - Attach (B) & (B1) & (B2) to (E) as below shown.



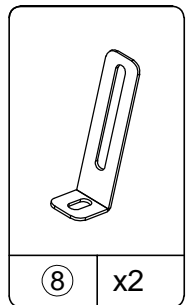
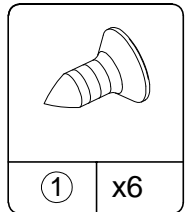
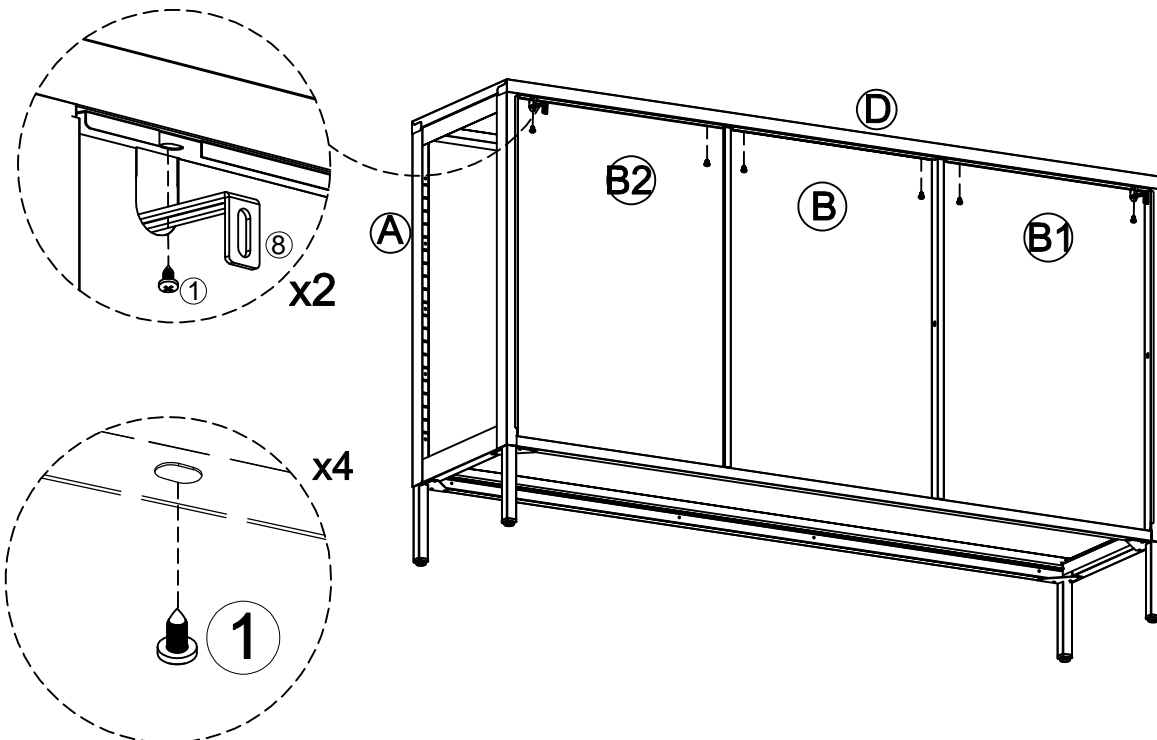
(5) - Attach (F) to (A) as below shown.



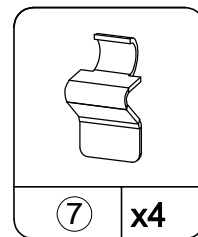
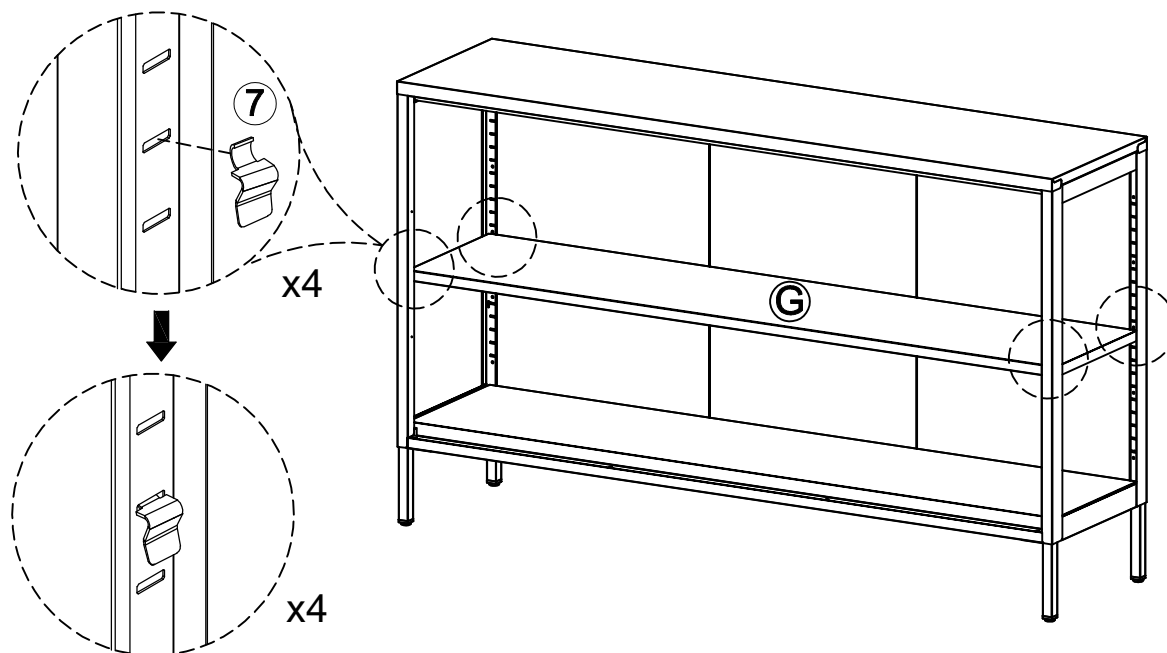
(6) - Attach (D) to (A) as below shown.



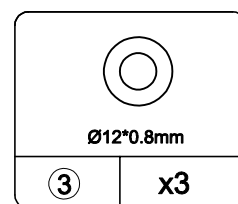
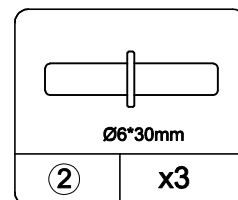
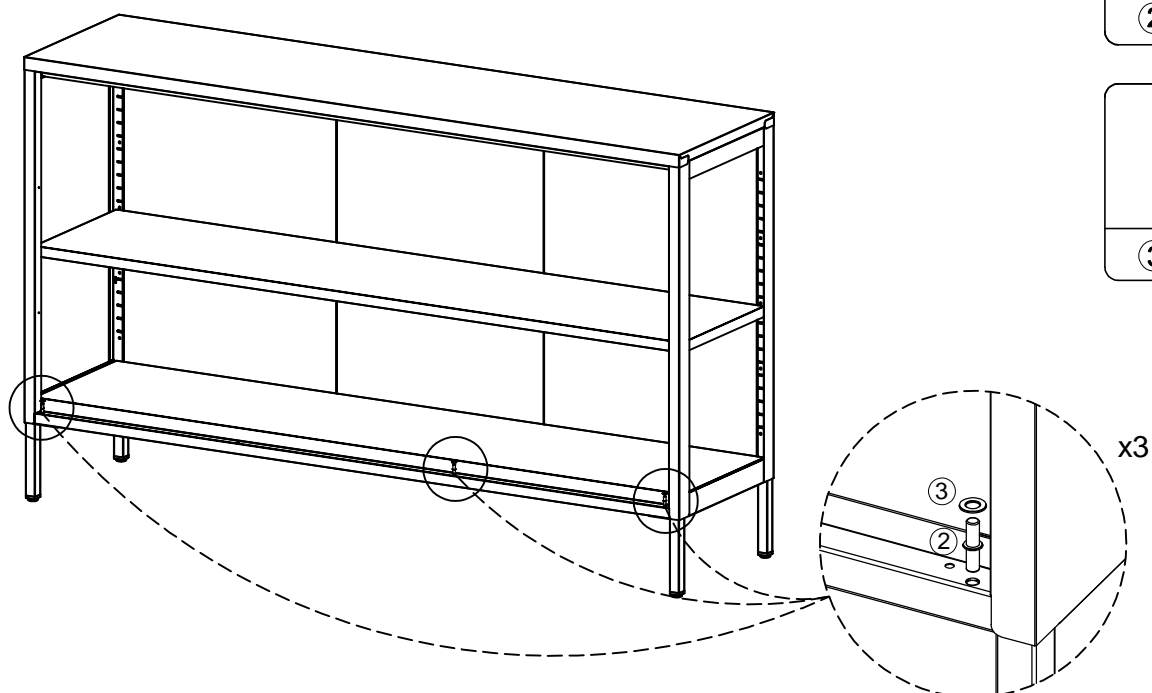
(7) - Attach (B) & (B1) & (B2) & (8) to (D) as below shown.



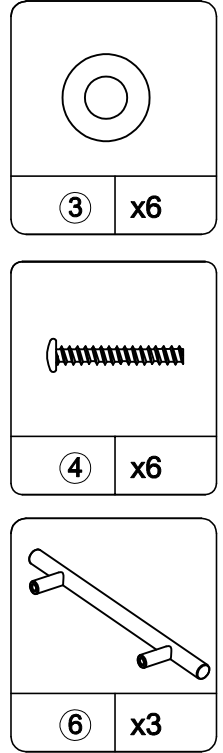
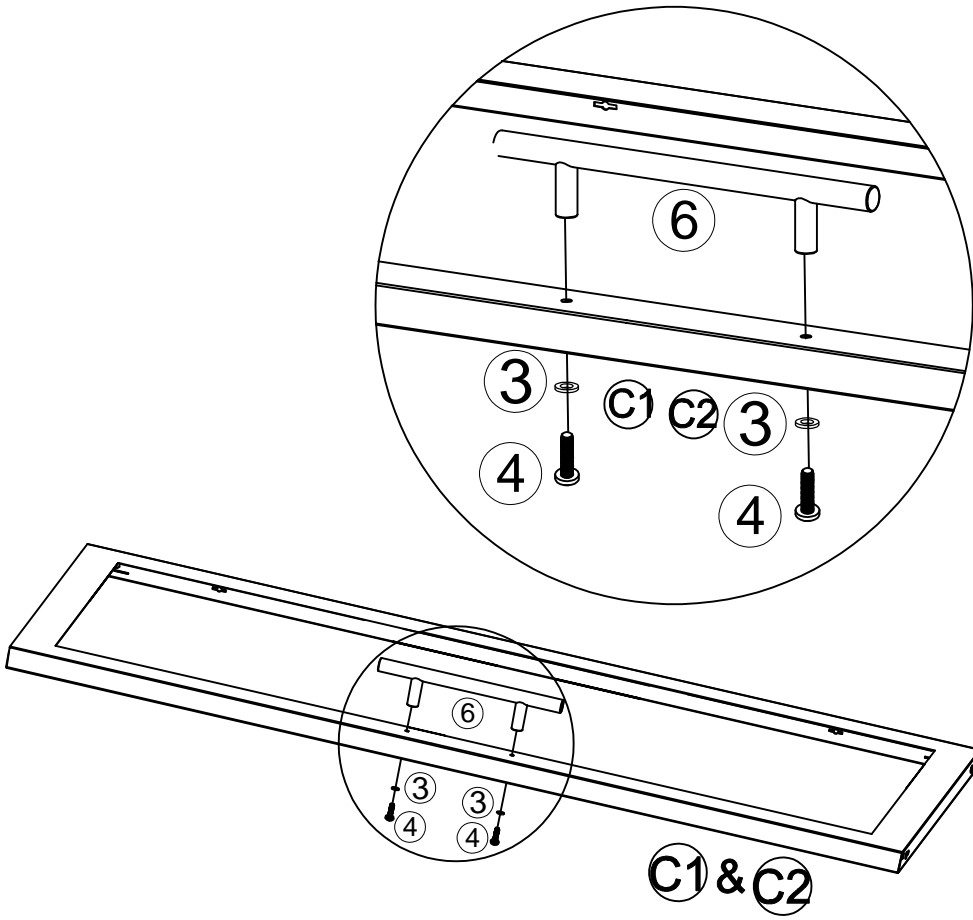
(8) - Attach (G) to pre-assembled unit as below shown.



(9) - Attach (2) & (3) to pre-assembled unit as below shown.

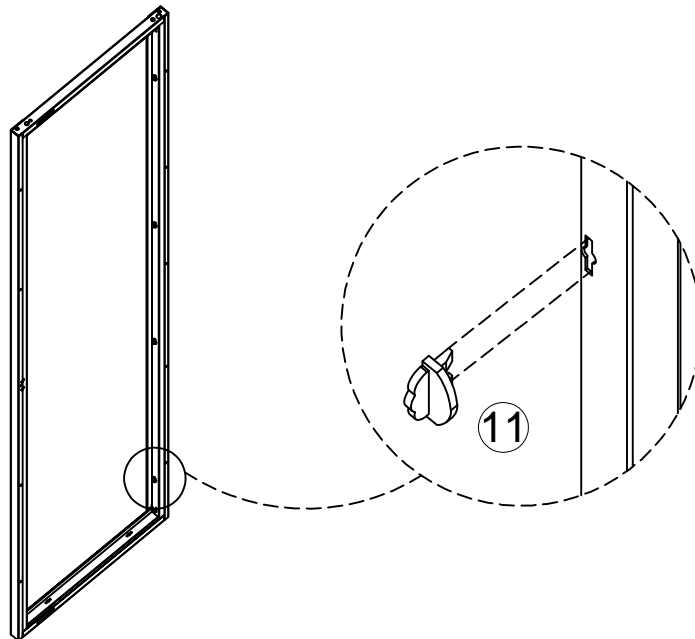


(10)- Attach (6) to (C1) &(C2)as below shown.

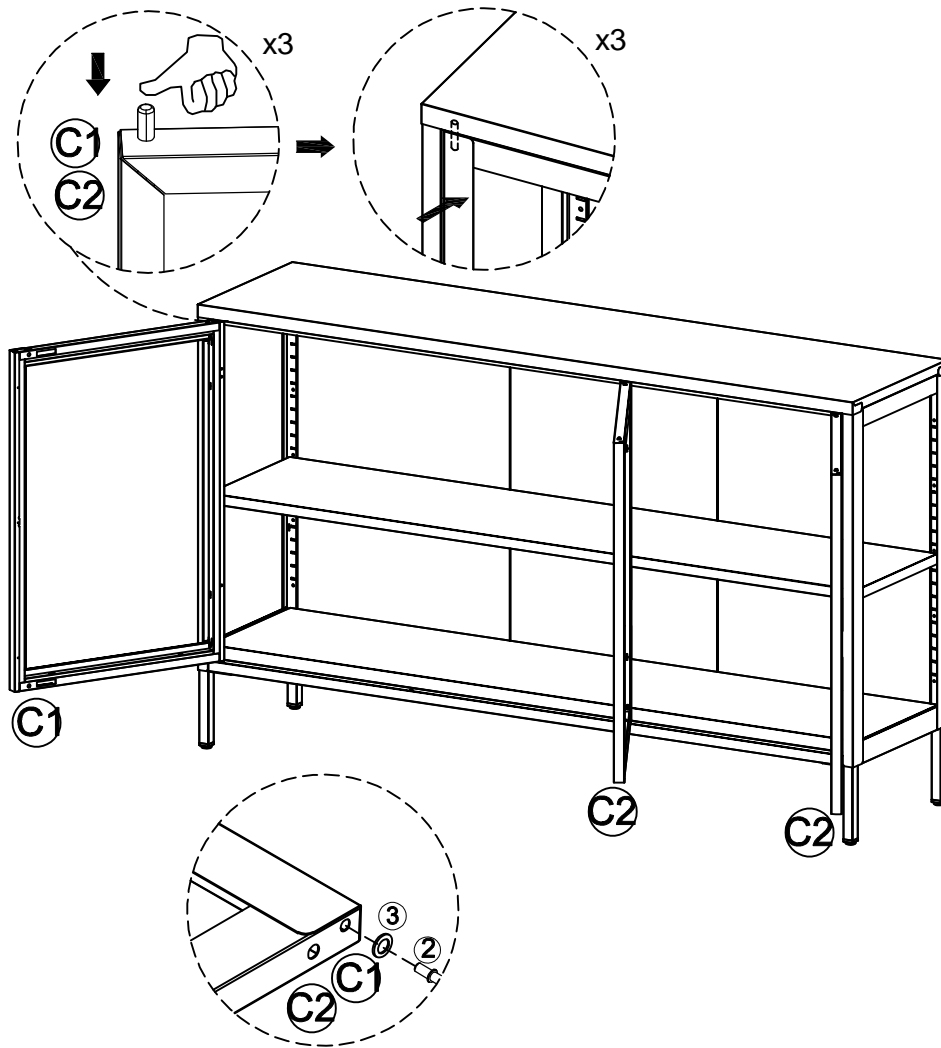


x3

spare parts of glass buckle



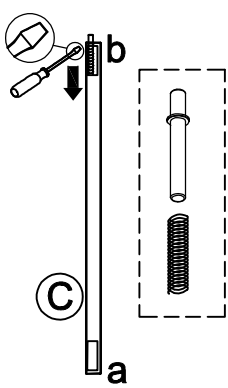
(11)- Attach (C1)&(C2) to pre-assembled unit as below shown.



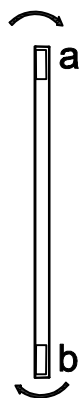
door pillar exchange process

WARNING

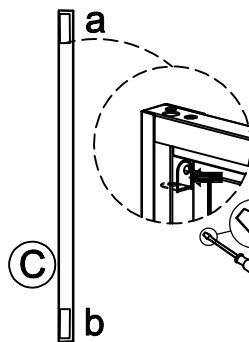
This step is just to switch the left door to the right door!



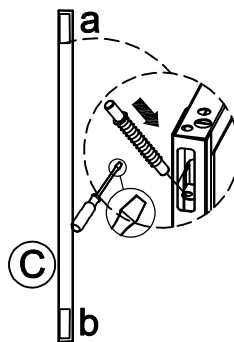
STEP 1



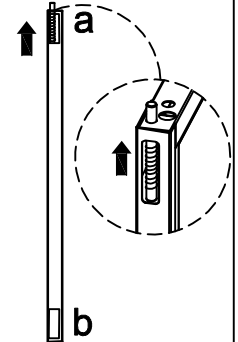
STEP 2



STEP 3

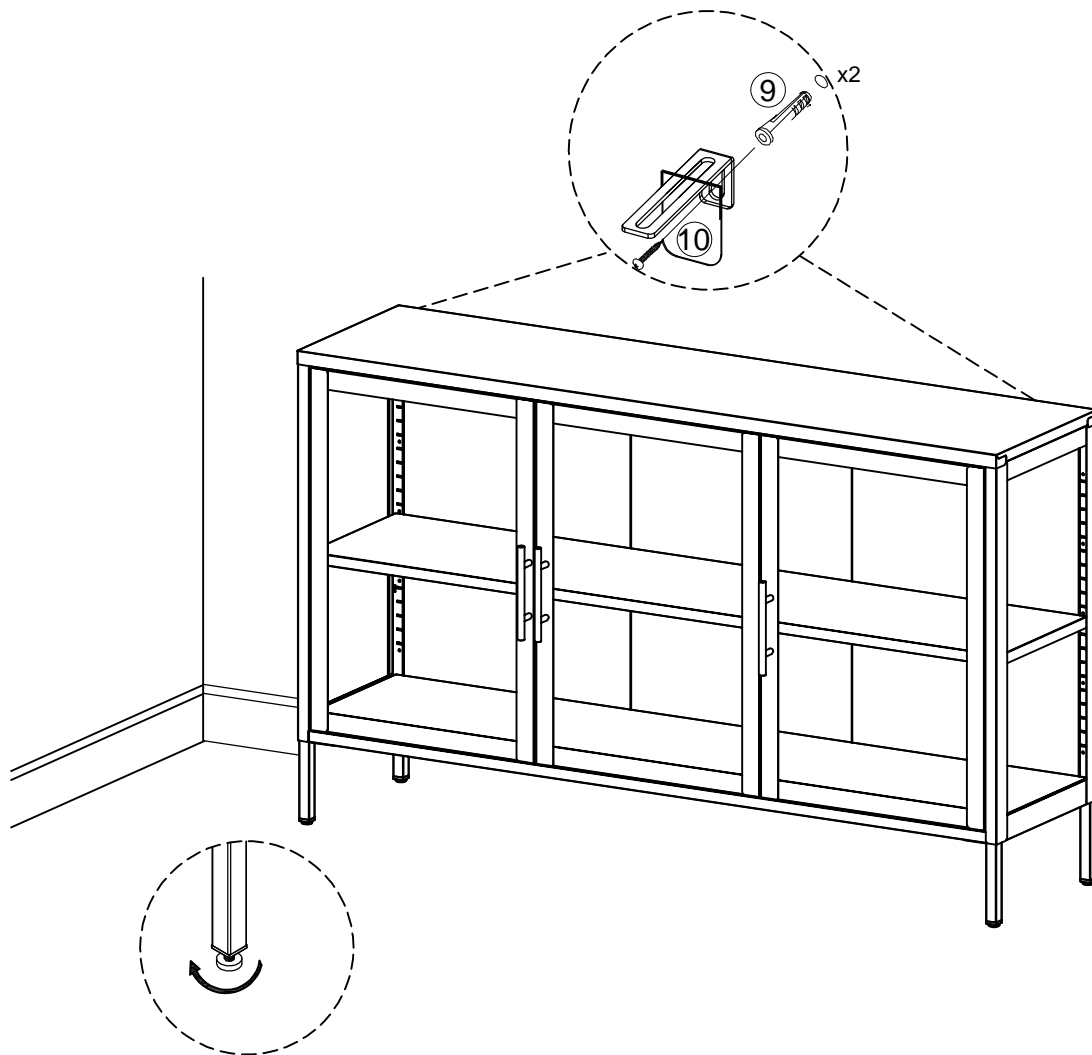
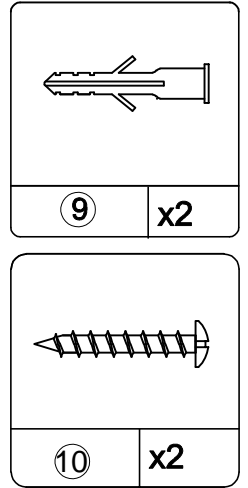


STEP 4



STEP 5

(12)



Gaps may appear between the top of the doors and the frame if the item is not on level ground; use the plastic foot cover to level.