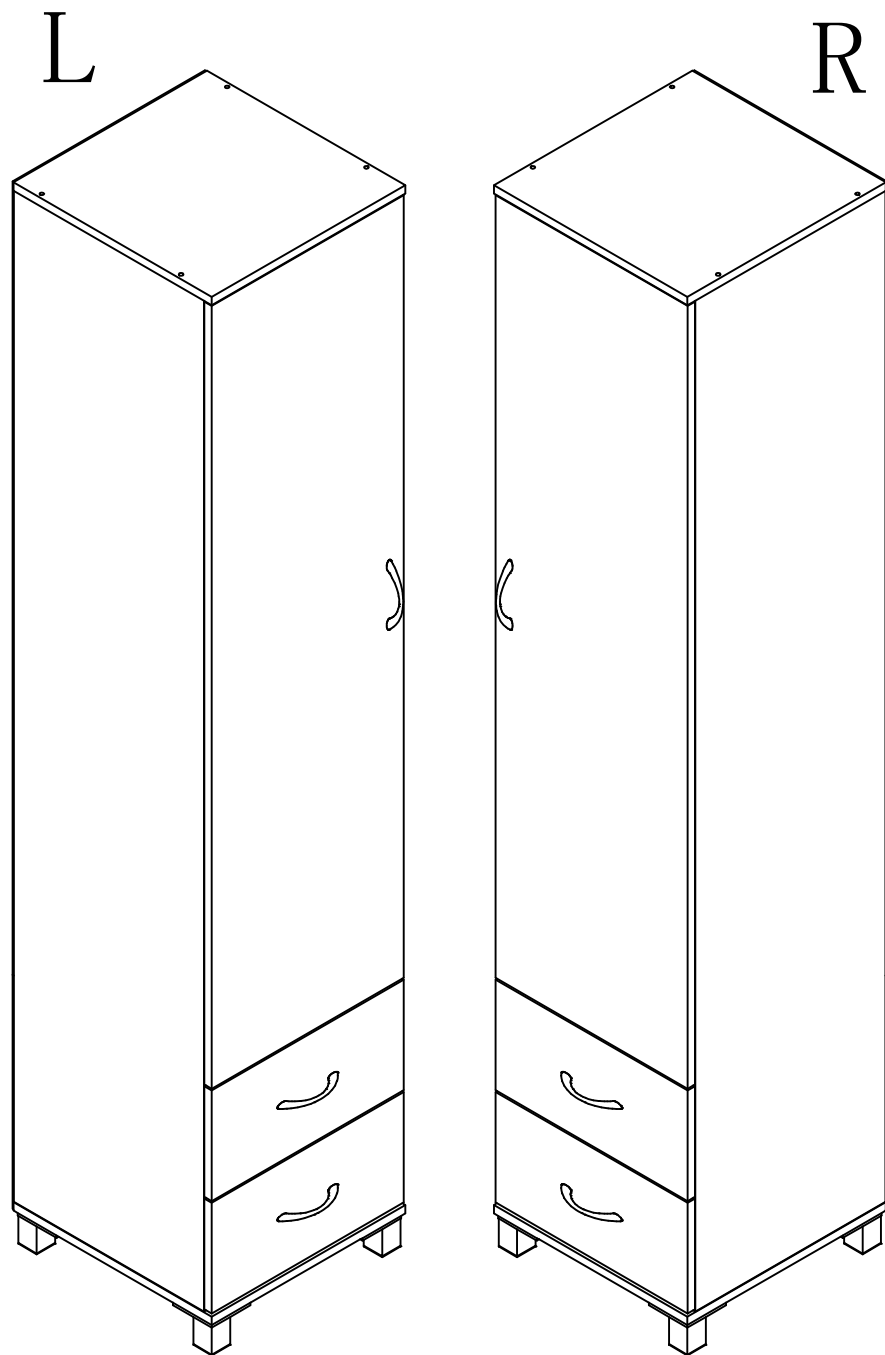


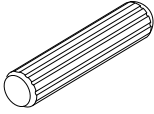

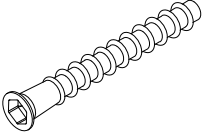
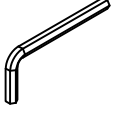
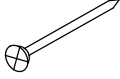
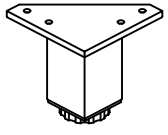
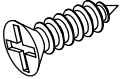
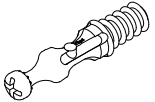
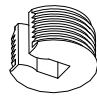
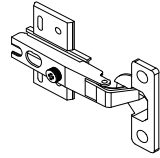
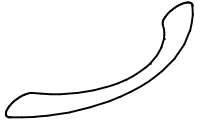

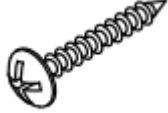
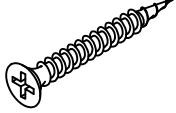
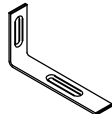
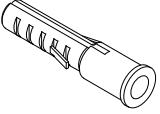
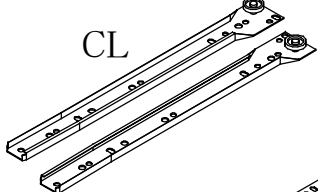
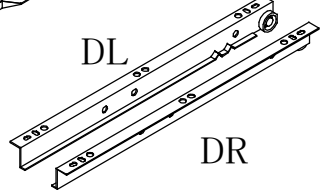


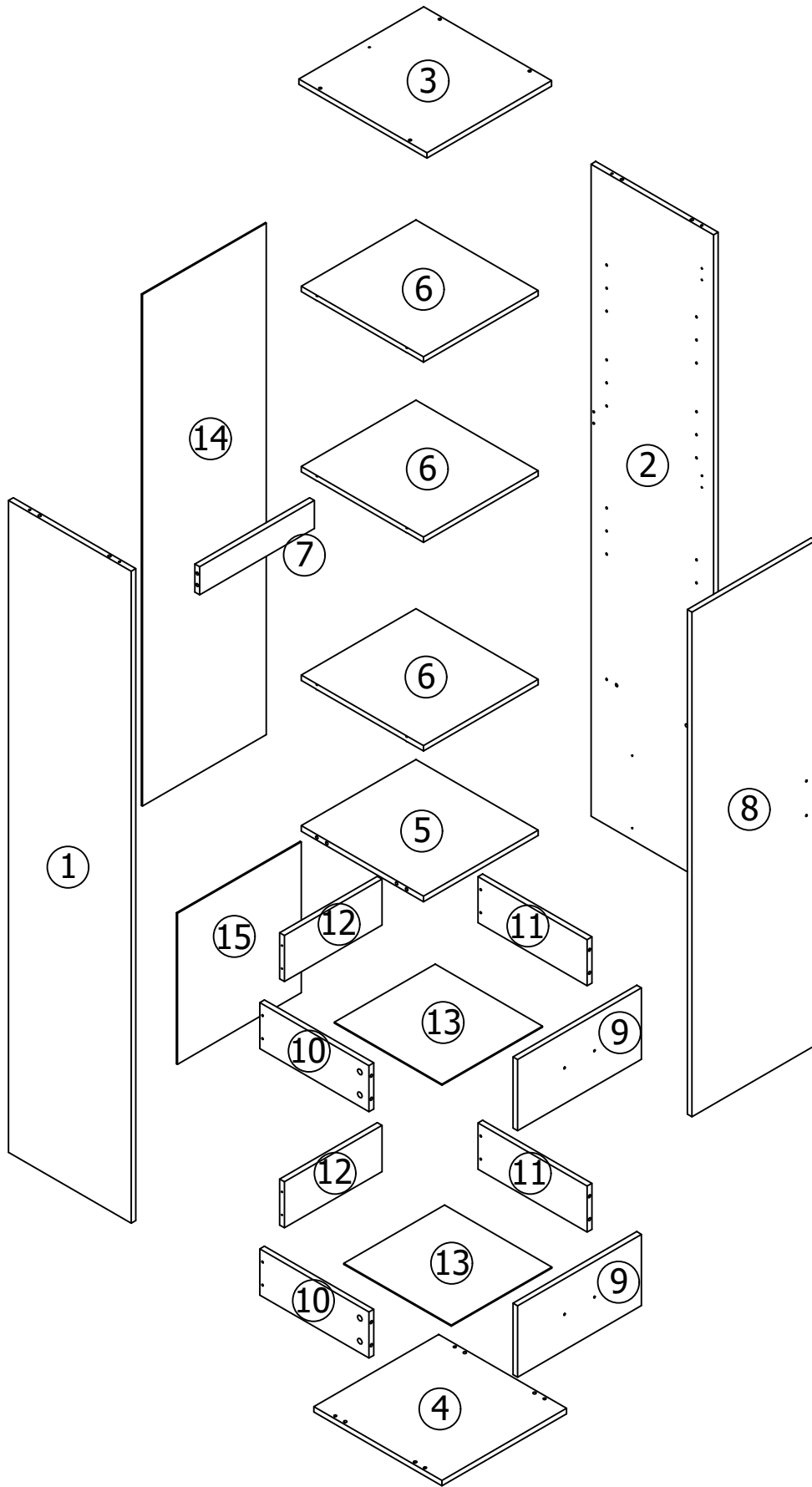
Wardrobe 1 Door+2 Drawers

Assembly Instructions



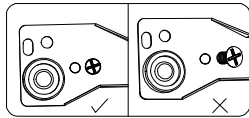
Assembly Instructions

| | | | |
|--|--|--|--|
| <p>Ø15x11</p>  <p>A x 16</p> | <p>Ø7x35</p>  <p>B x 16</p> | <p>Ø8x30</p>  <p>C x 12</p> | <p>Ø3.5x14</p>  <p>D x 16</p> |
| <p>Ø7x48</p>  <p>E x 8</p> | <p>4mm</p>  <p>F x 1</p> | <p>Ø3x16</p>  <p>G x 34</p> |  <p>H x 4</p> |
| <p>Ø4x16</p>  <p>I x 35</p> | <p>M6x16</p>  <p>J x 12</p> | <p>Ø20</p>  <p>K x 12</p> |  <p>L x 3</p> |
| <p>96mm</p>  <p>M x 3</p> | <p>4mm</p>  <p>N x 1</p> | <p>Ø4x25</p>  <p>O x 6</p> | <p>Ø4x40</p>  <p>P x 9</p> |
| <p>62x40x18x1.2</p>  <p>Q x 1</p> | <p>7.8x38</p>  <p>R x 1</p> | <p>14"</p>  <p>CL CR</p>  <p>DL DR</p> <p>2sets</p> | |

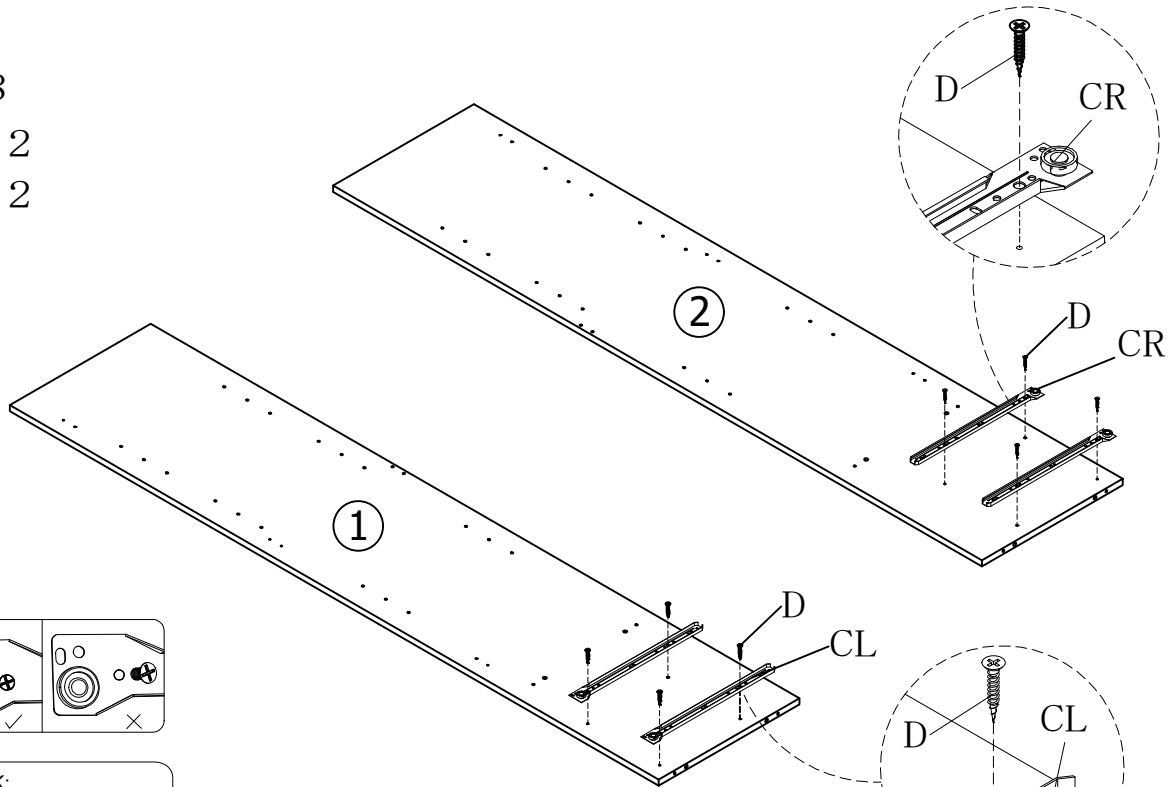


STEP 1

- D x 8
- CL x 2
- CR x 2

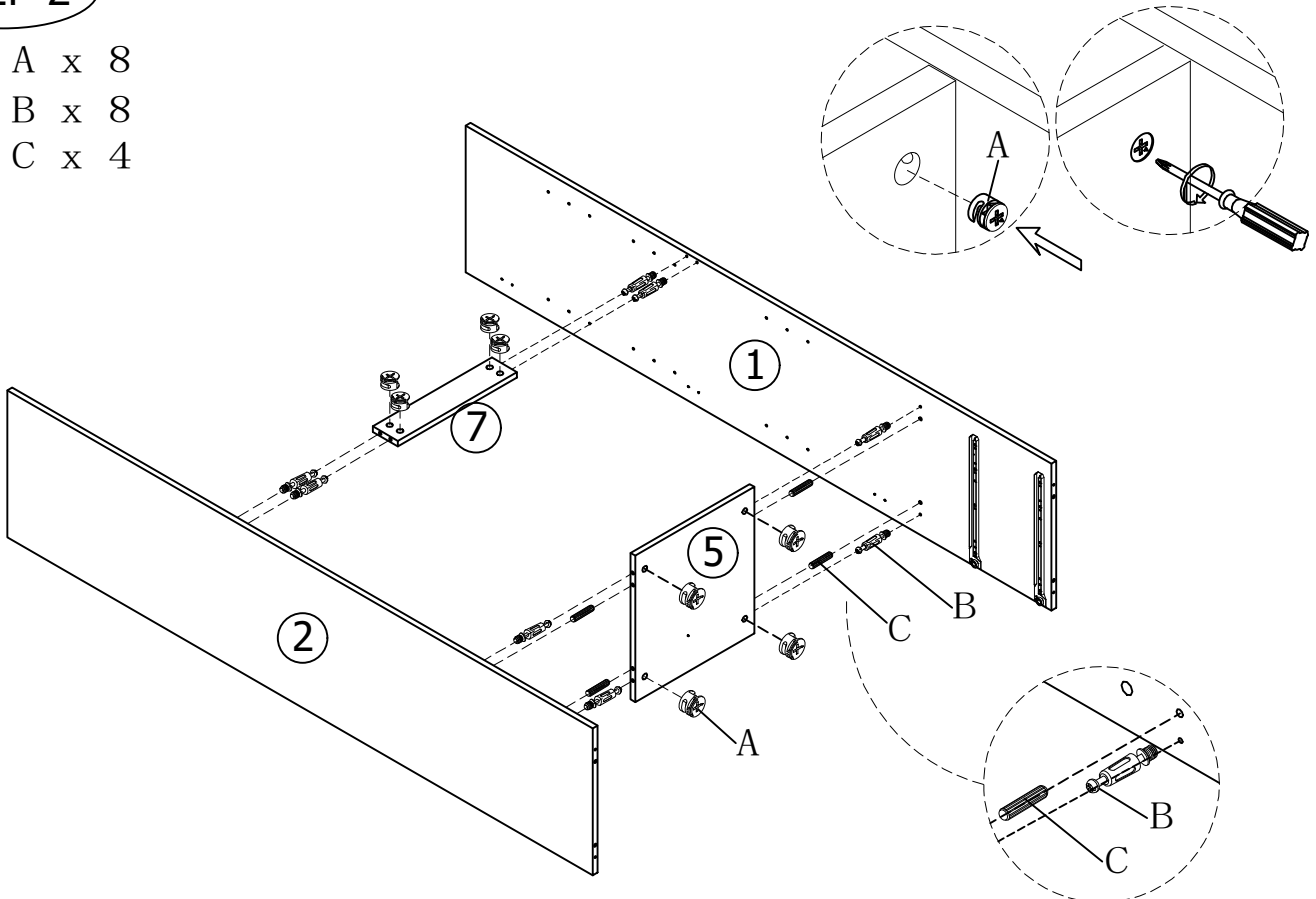


REMARK:
When installing, please make sure the screws are flattened, Not crooked; Otherwise the drawers will not be installed perfectly.



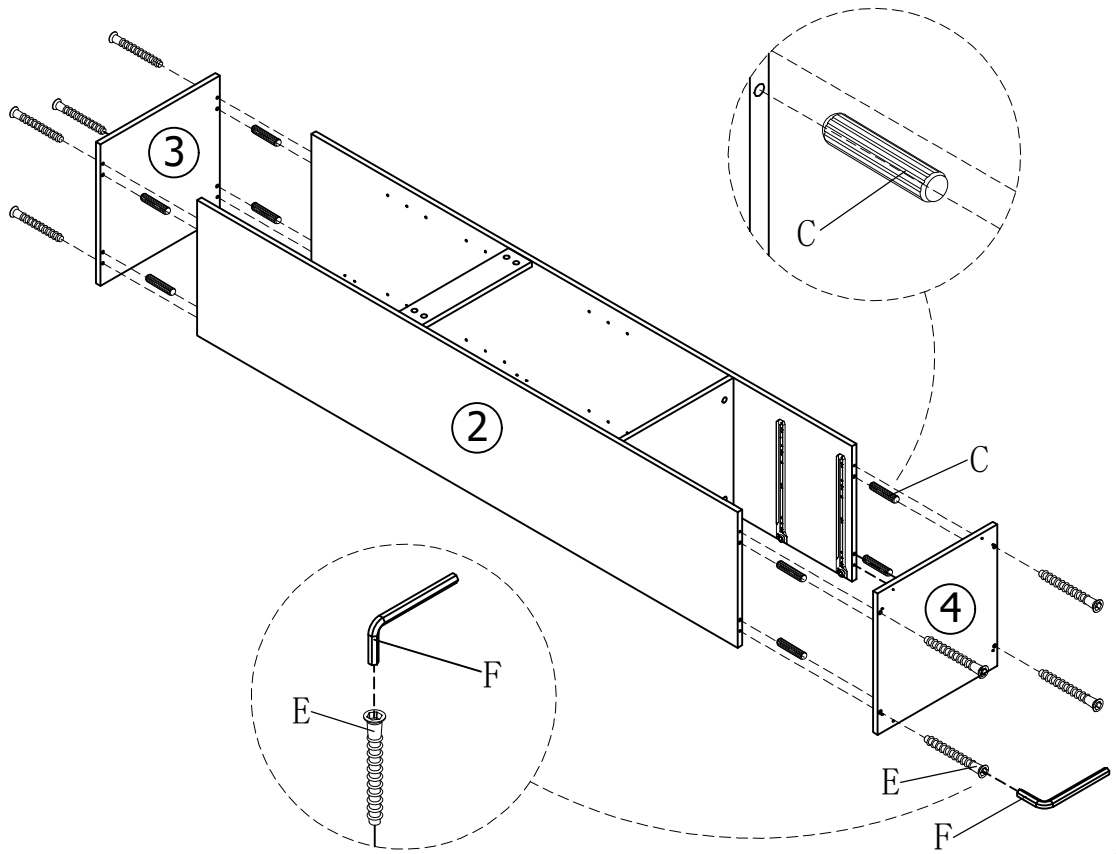
STEP 2

- A x 8
- B x 8
- C x 4



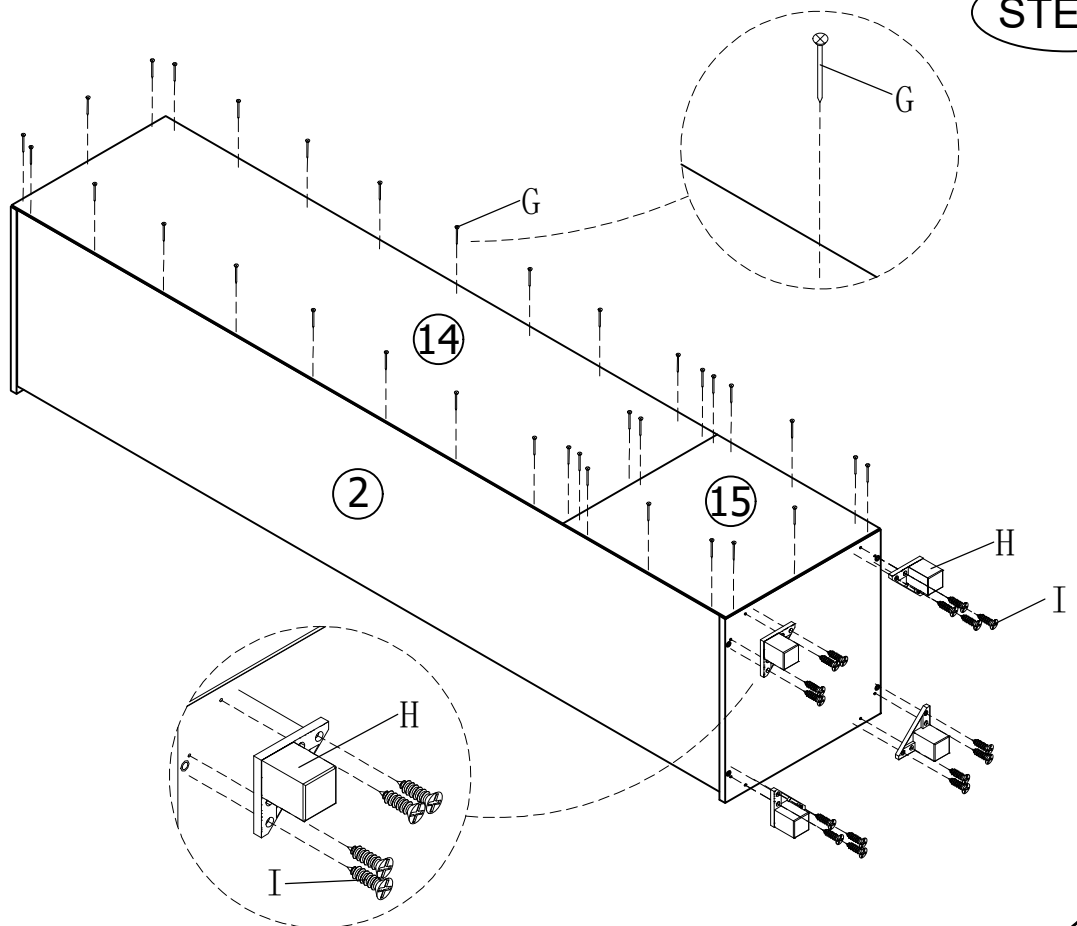
STEP 3

- C x 8
- E x 8
- F x 1



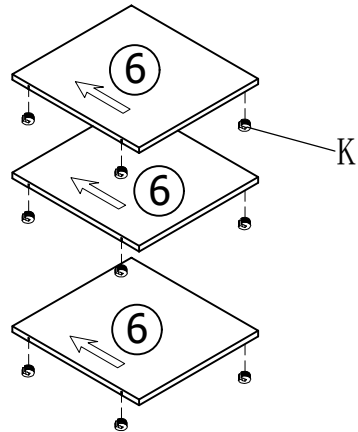
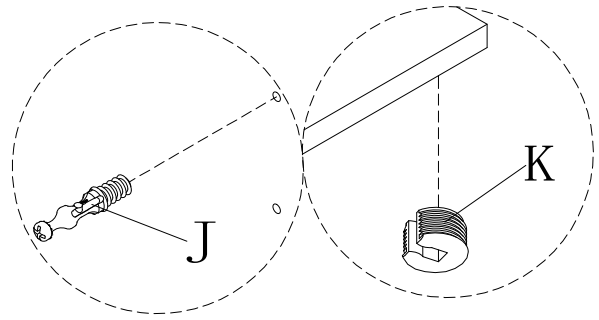
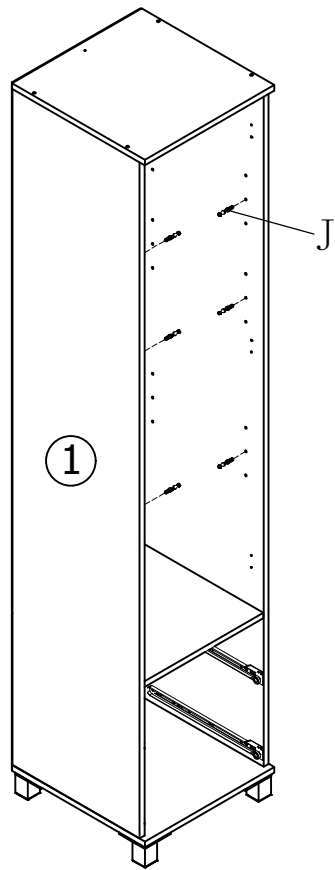
STEP 4

- G x 34
- H x 4
- I x 16



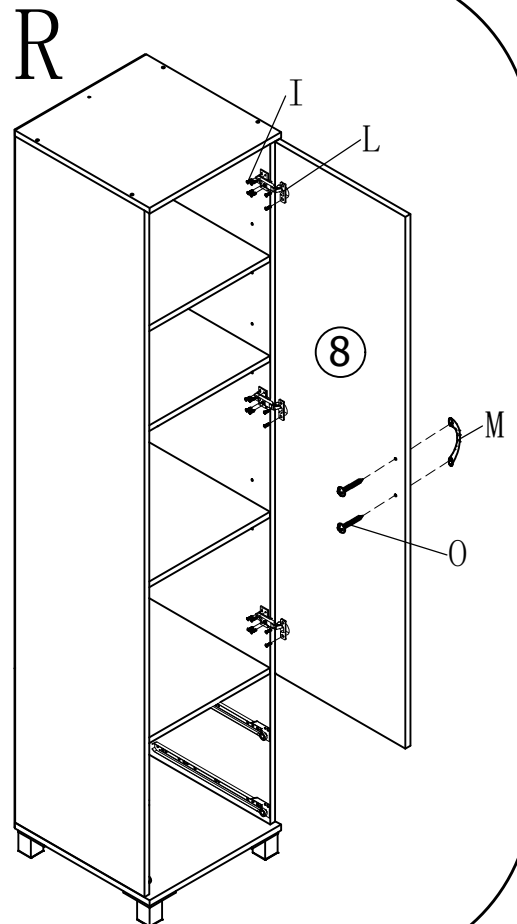
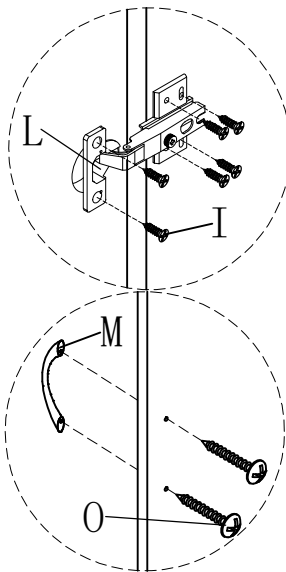
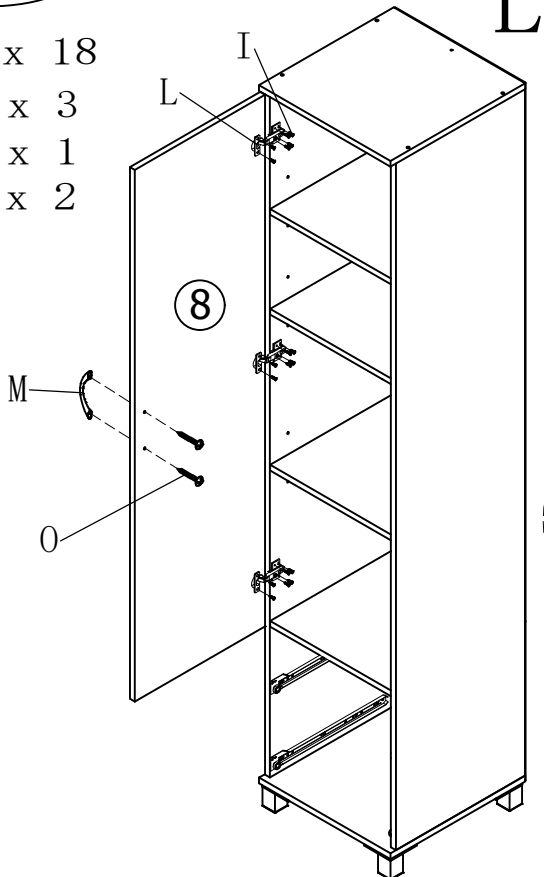
STEP 5

J x 12
K x 12



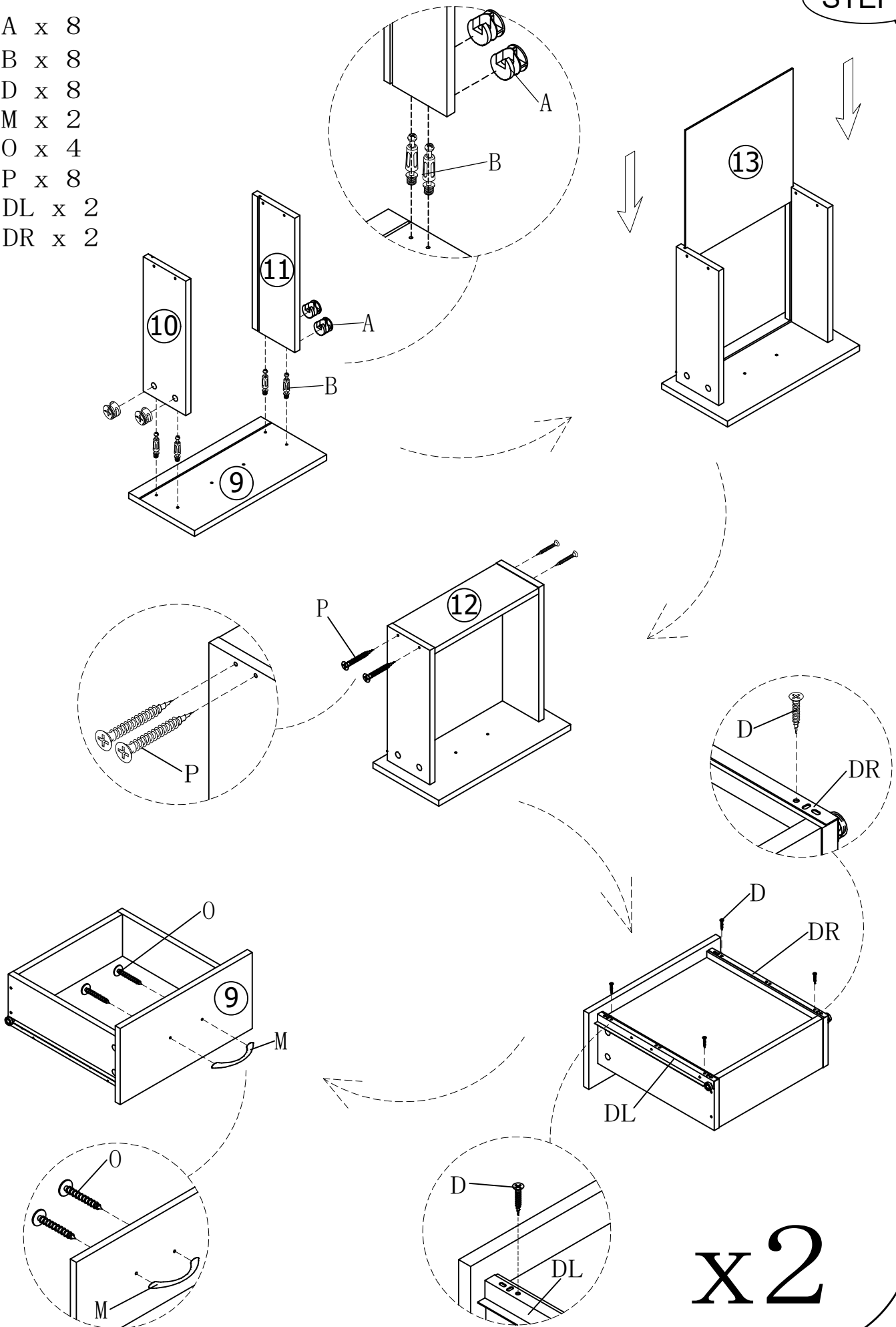
STEP 6

I x 18
L x 3
M x 1
O x 2



STEP 7

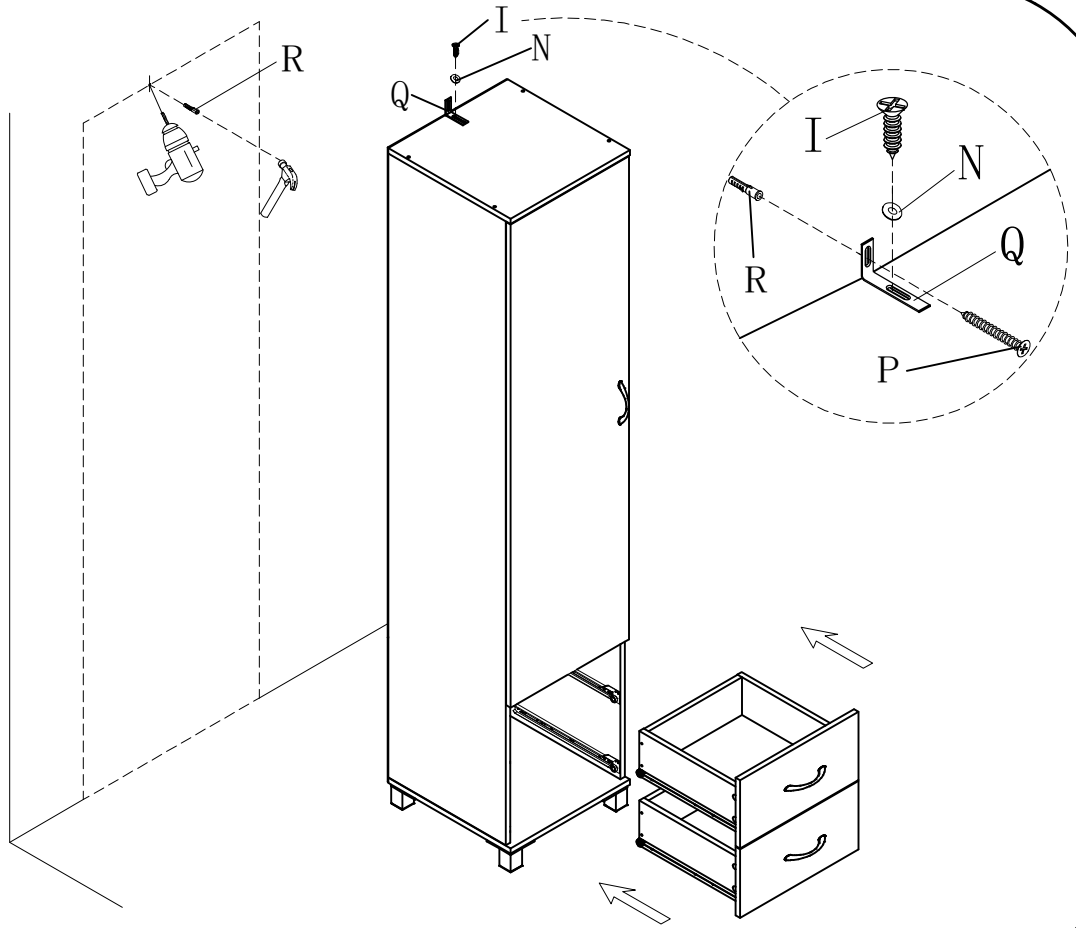
- A x 8
- B x 8
- D x 8
- M x 2
- O x 4
- P x 8
- DL x 2
- DR x 2



x2

STEP 8

- I x 1
- N x 1
- P x 1
- Q x 1
- R x 1



STEP 9

