

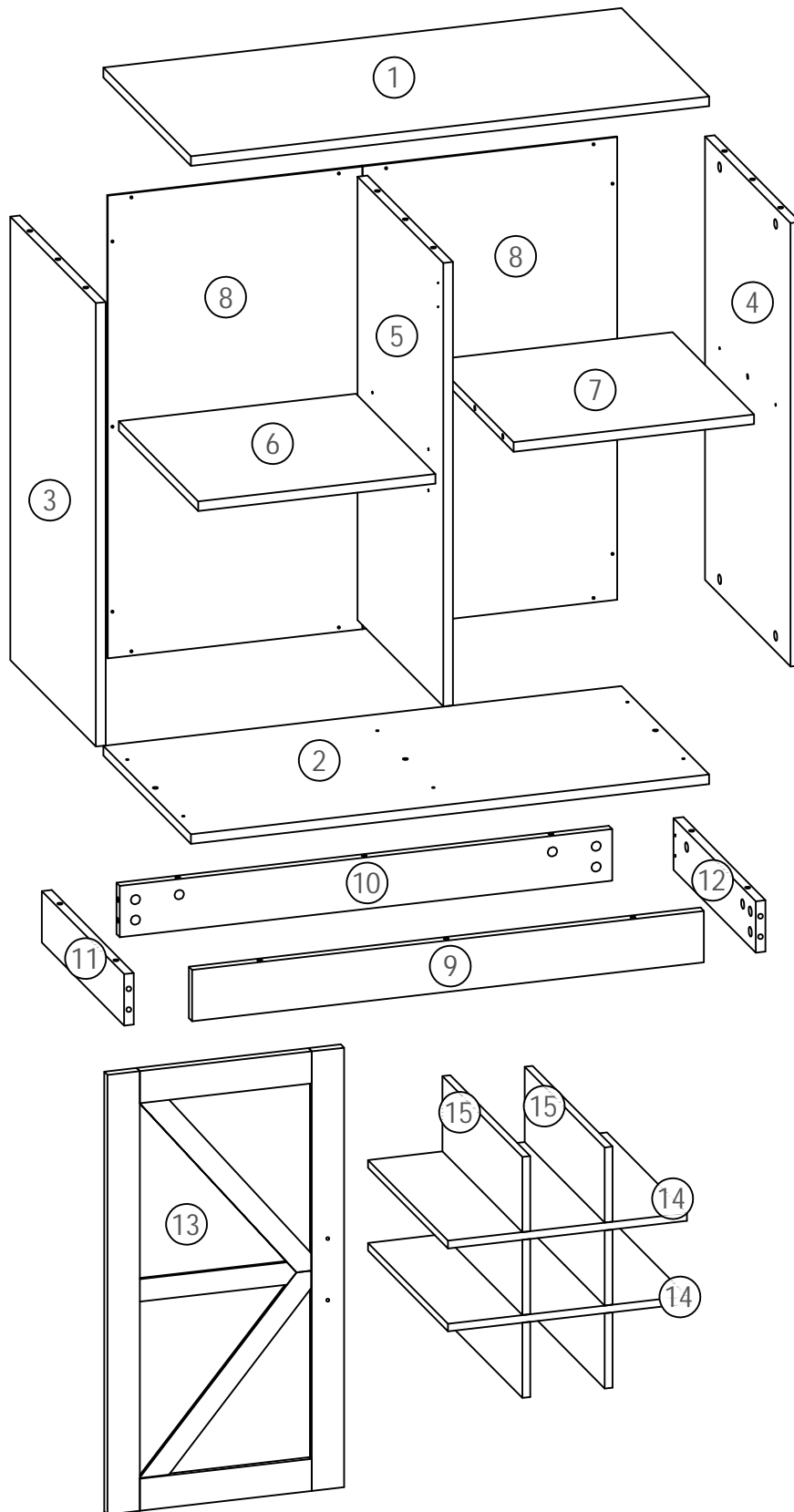
Wine Cabinet

Item#:YS-001

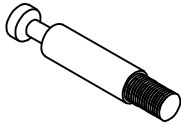
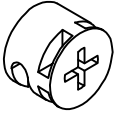
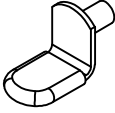
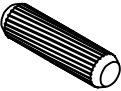
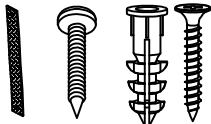

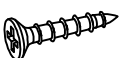
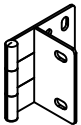
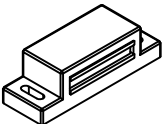

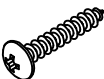


Assembly Instructions

NOTE: This instruction manual contains **IMPORTANT** safety information.
Please read carefully before assembling the product

List of Parts

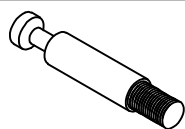


List of Hareware

No.	Hare ware	Quanti ty
A		32
B		32
C		4
D		10
E		2
F		1
G		14
H		2
I		1
J		2
K		17
L		2
M		1

STEP1

A

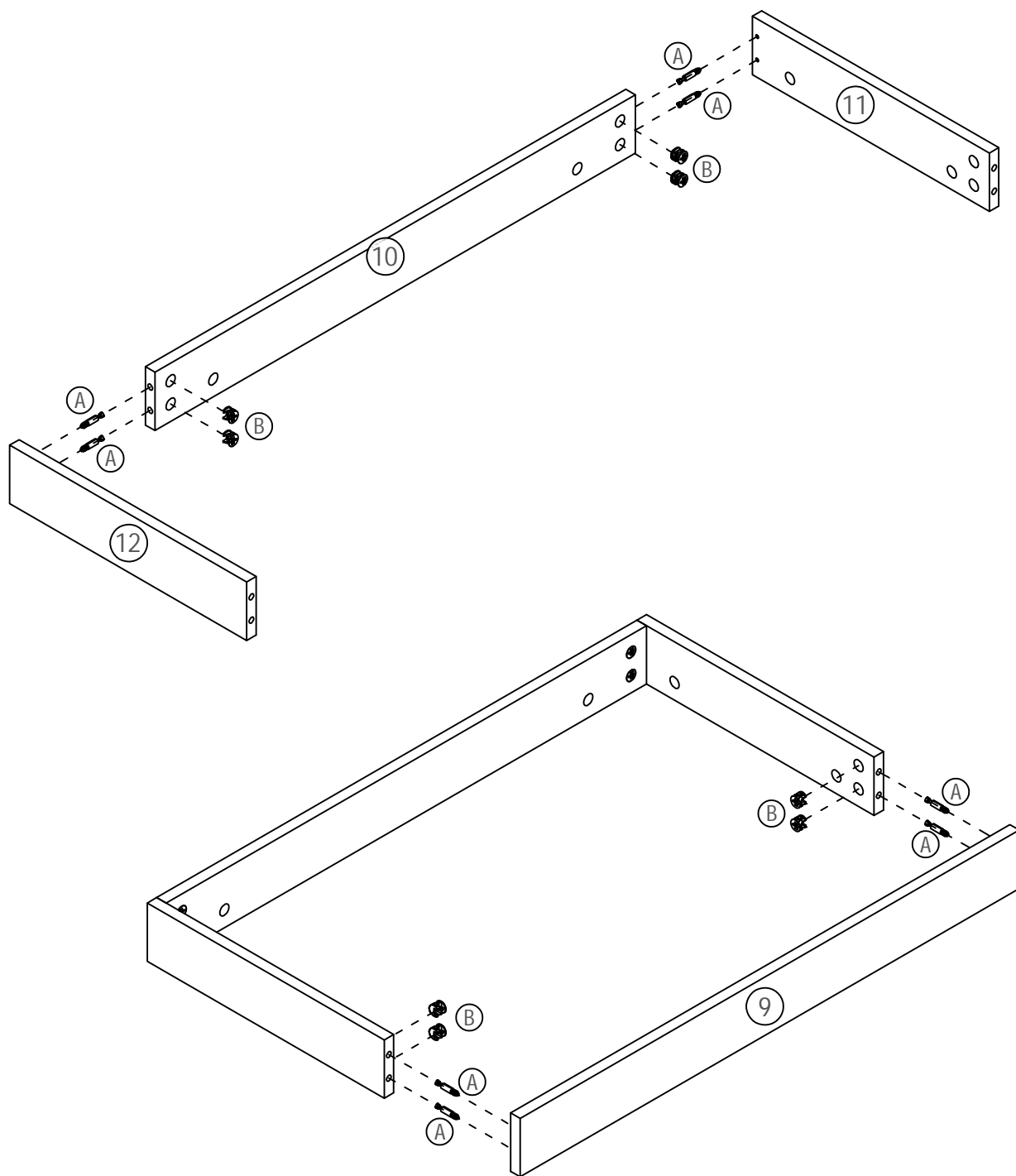


8 PCS

B

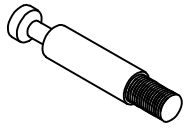


8 PCS



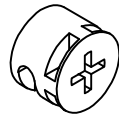
STEP2

A



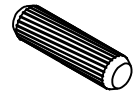
8 PCS

B

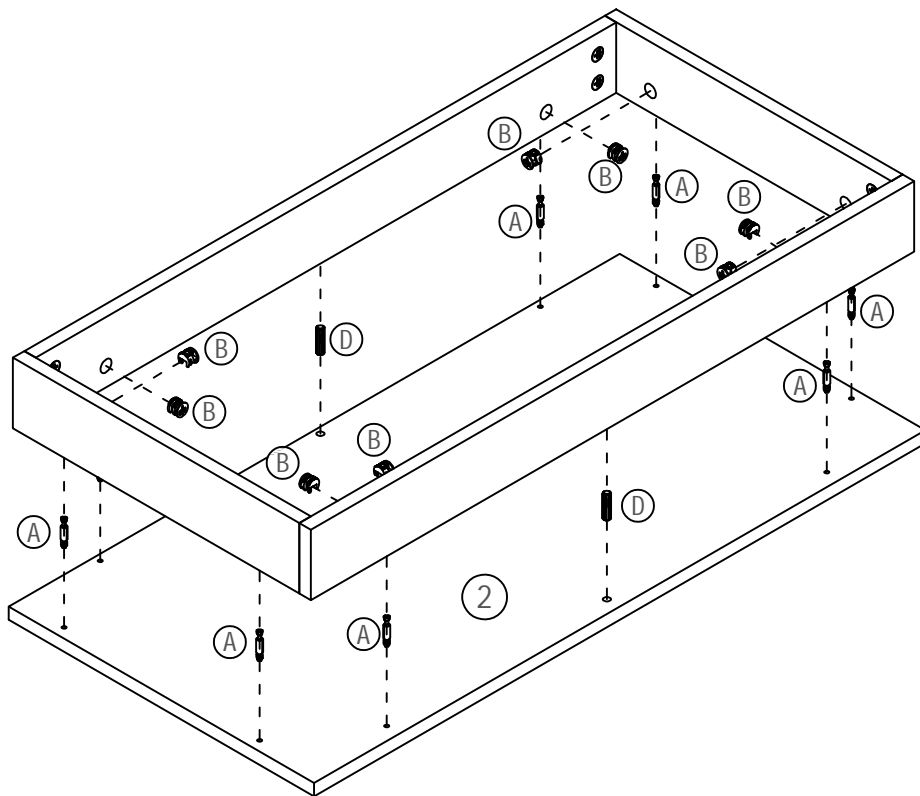


8 PCS

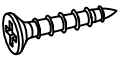
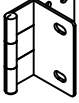
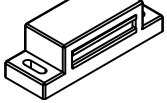

D

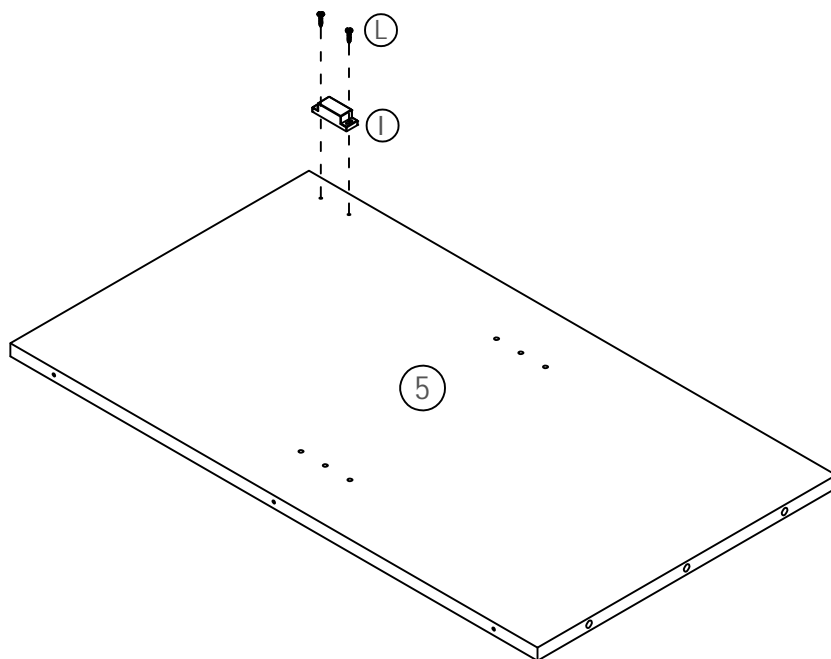
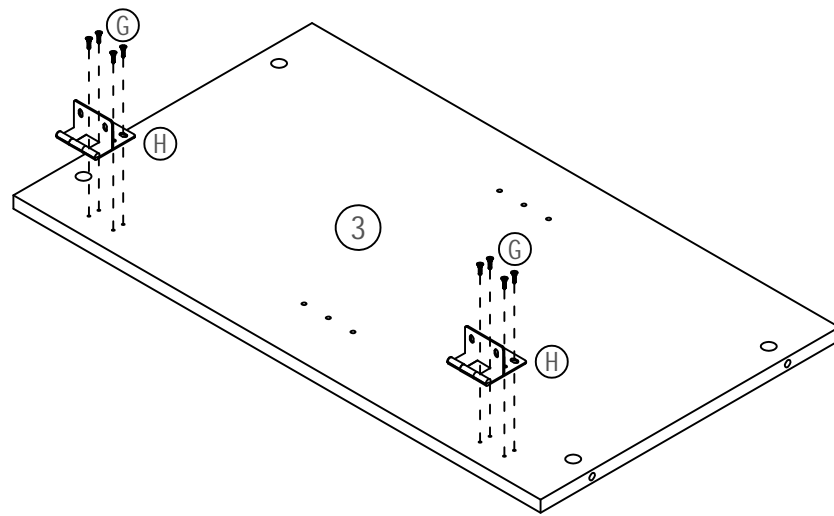


2 PCS



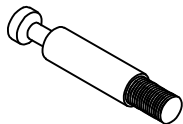
STEP3

<p>(G)  8 PCS</p>	<p>(H)  2 PCS</p>	<p>(I)  1 PCS</p>
<p>(L)  2 PCS</p>		



STEP4

A



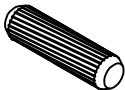
4 PCS

B

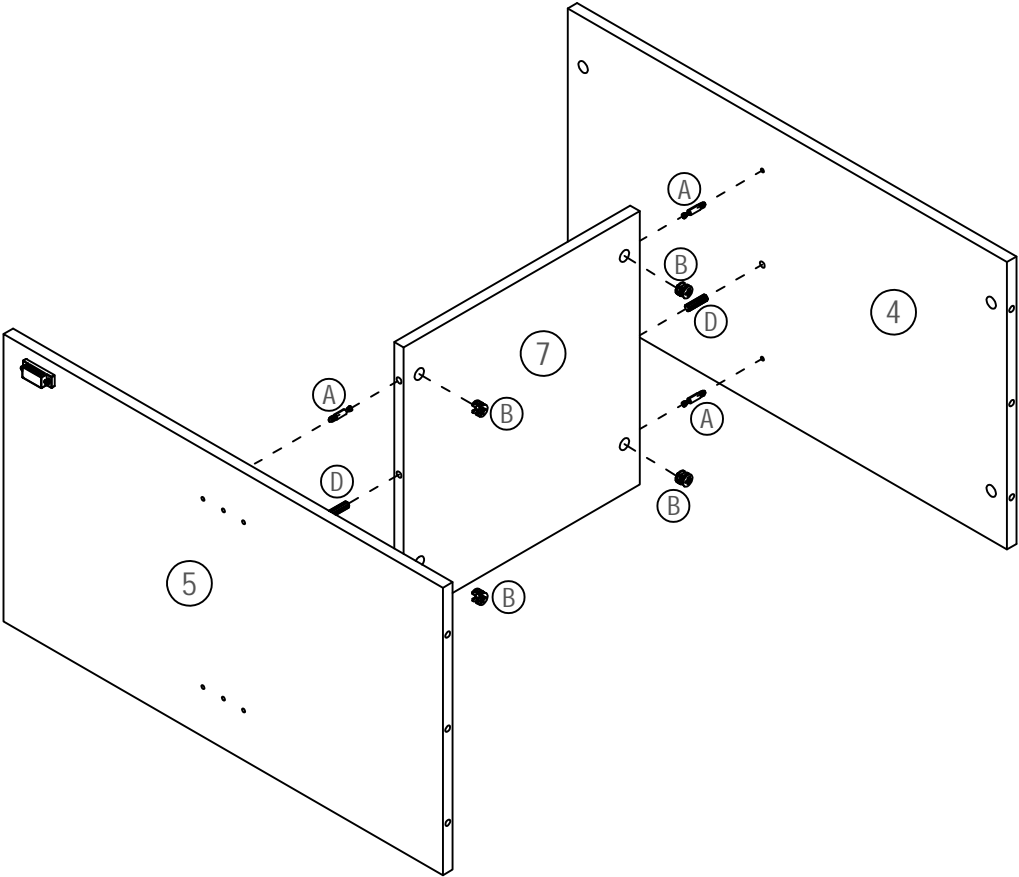


4 PCS

D

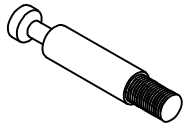


2 PCS



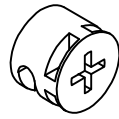
STEP5

A



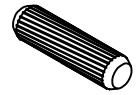
6 PCS

B

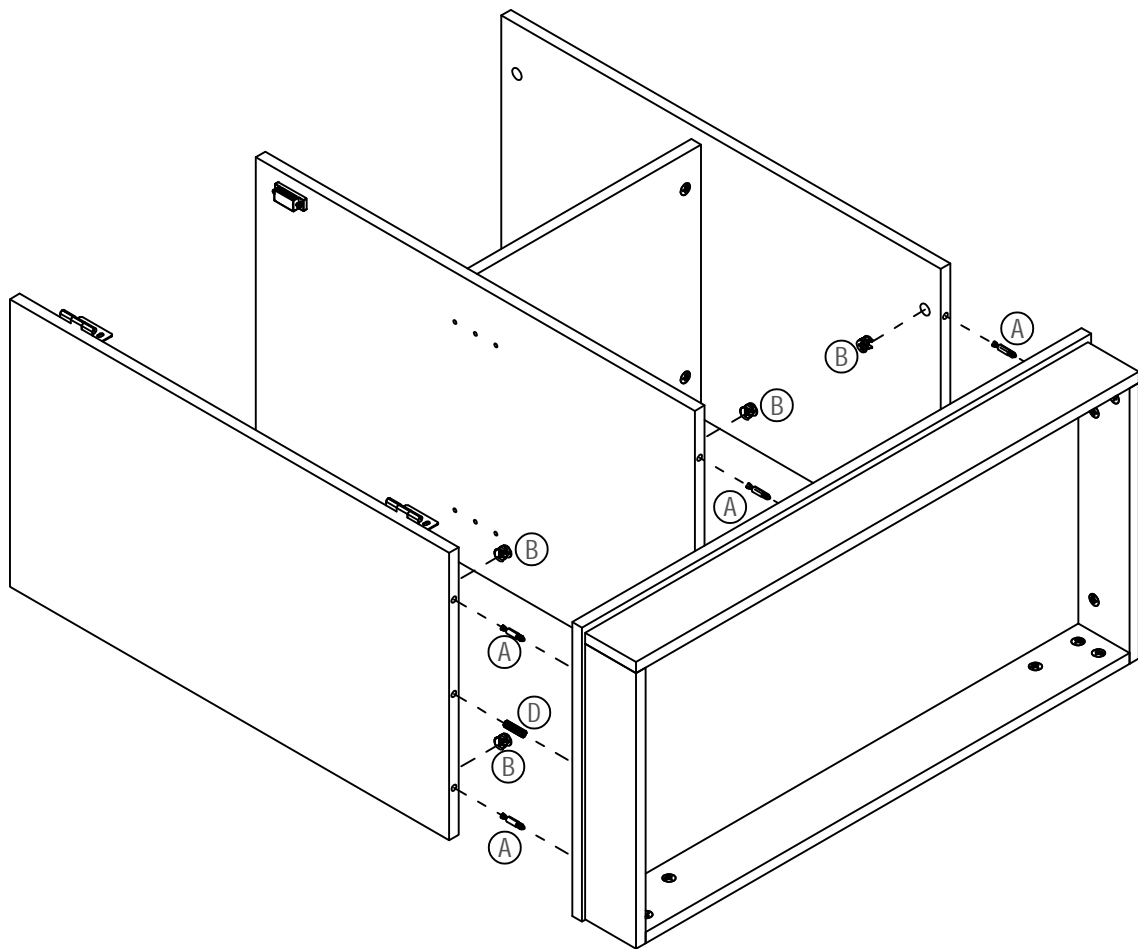


6 PCS

D

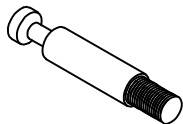


3 PCS



STEP6

A



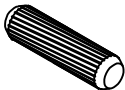
6 PCS

B

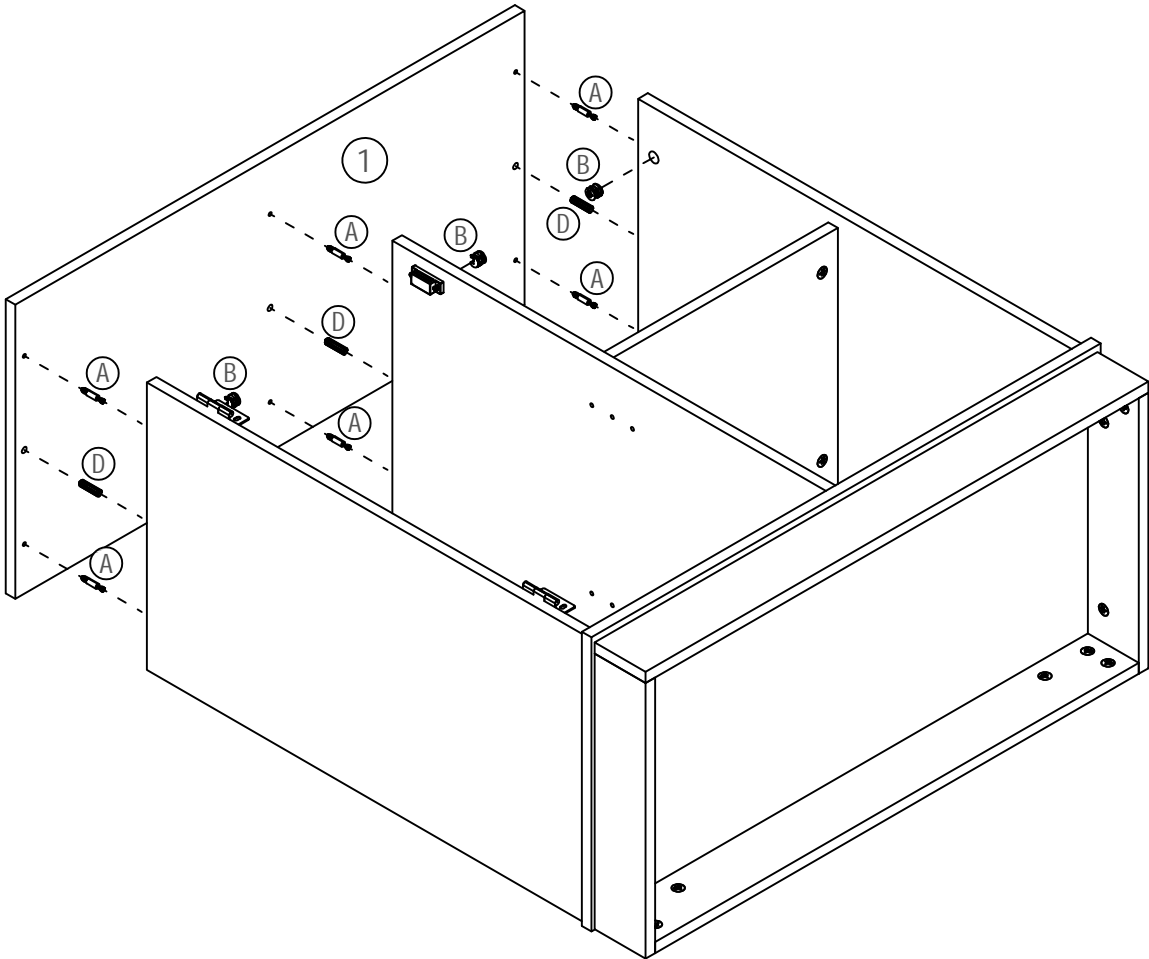


6 PCS

D

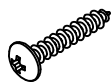


3 PCS

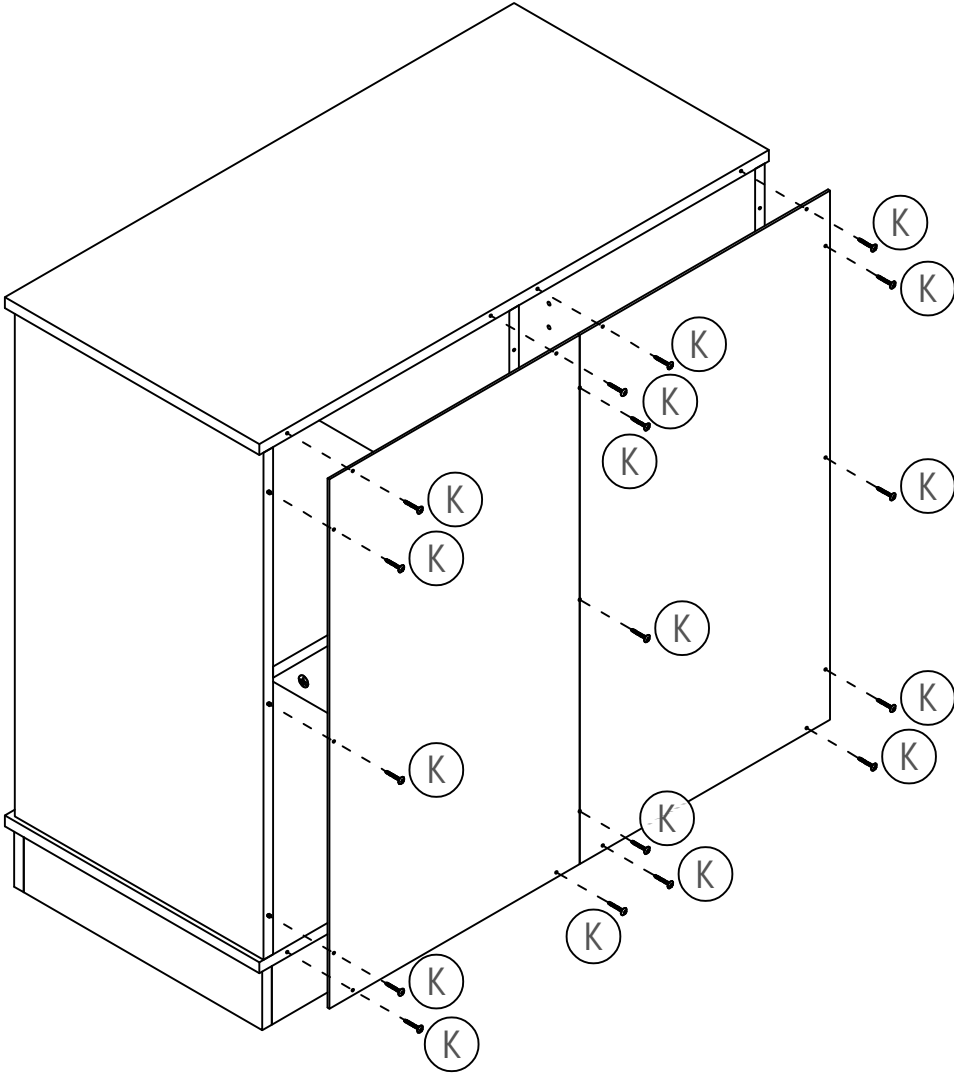


STEP 7

(K)

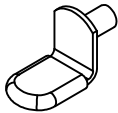


17 PCS

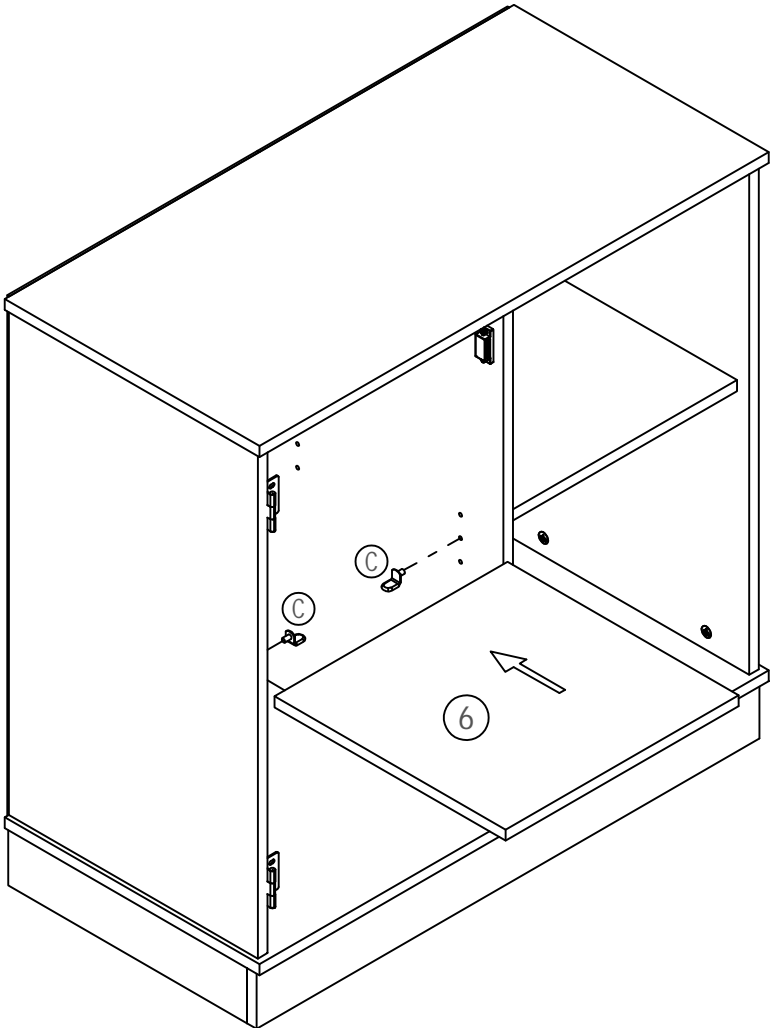


STEP8

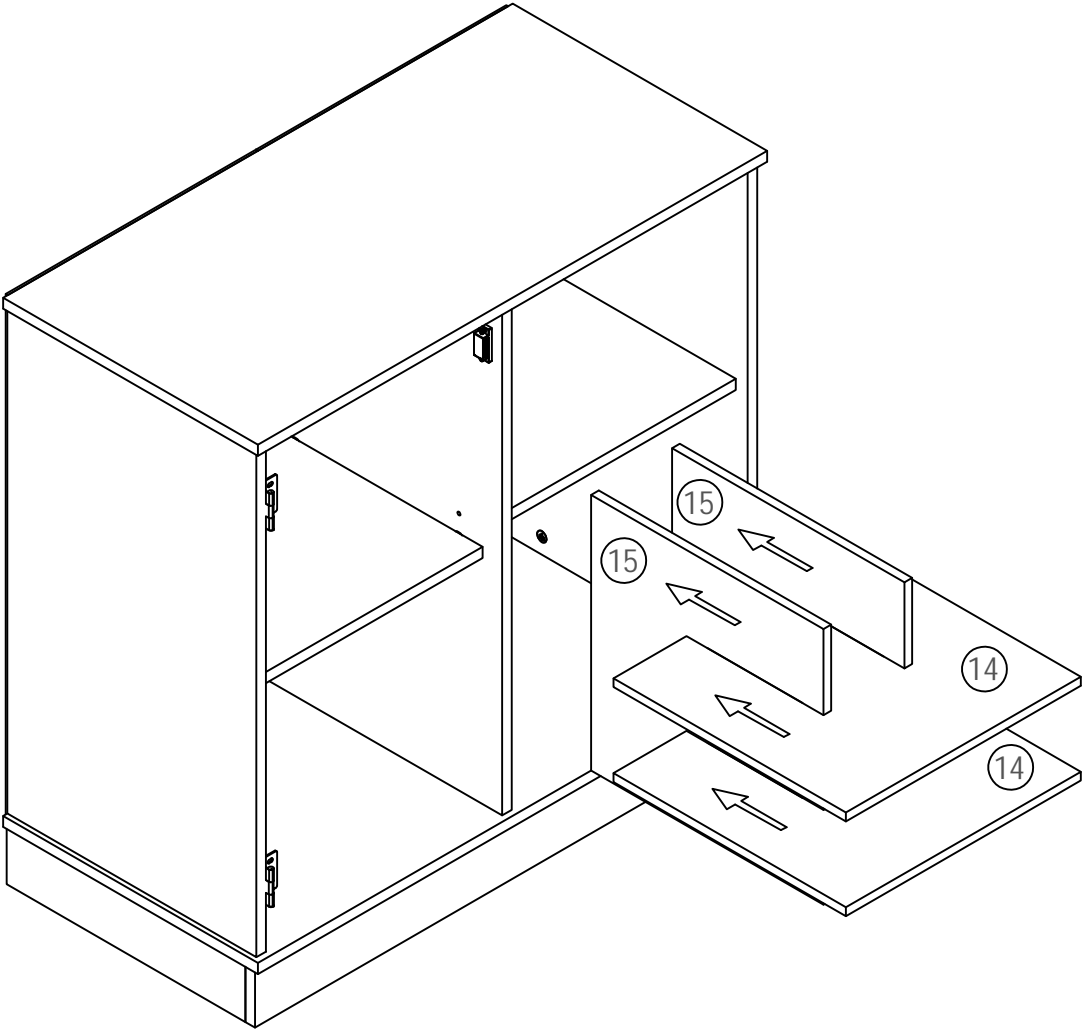
(C)



4 PCS

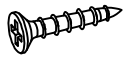


STEP 9



STEP10

G



2 PCS

F



1 PCS

J

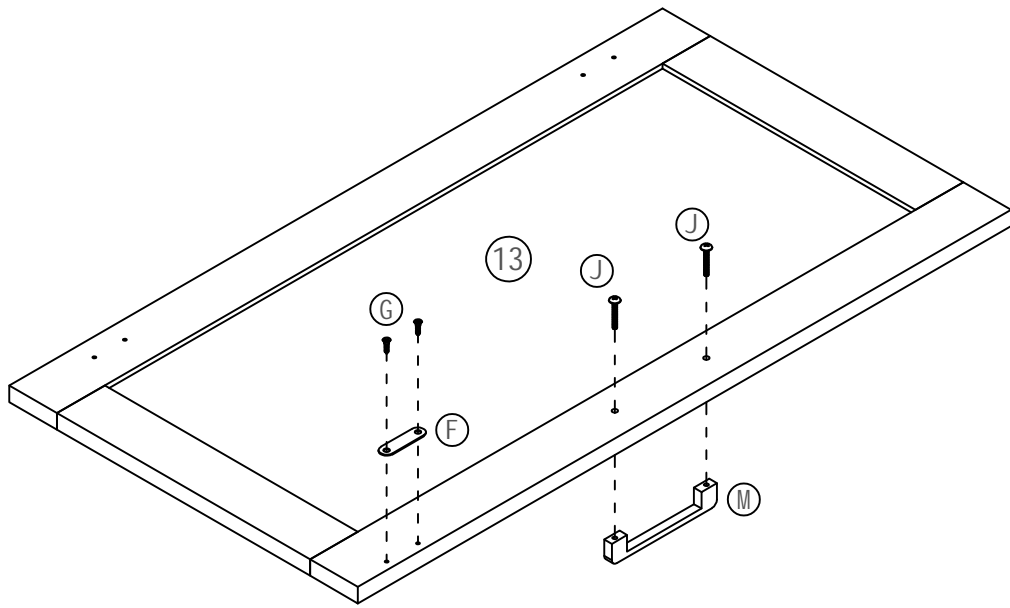


2 PCS

M

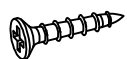


1 PCS

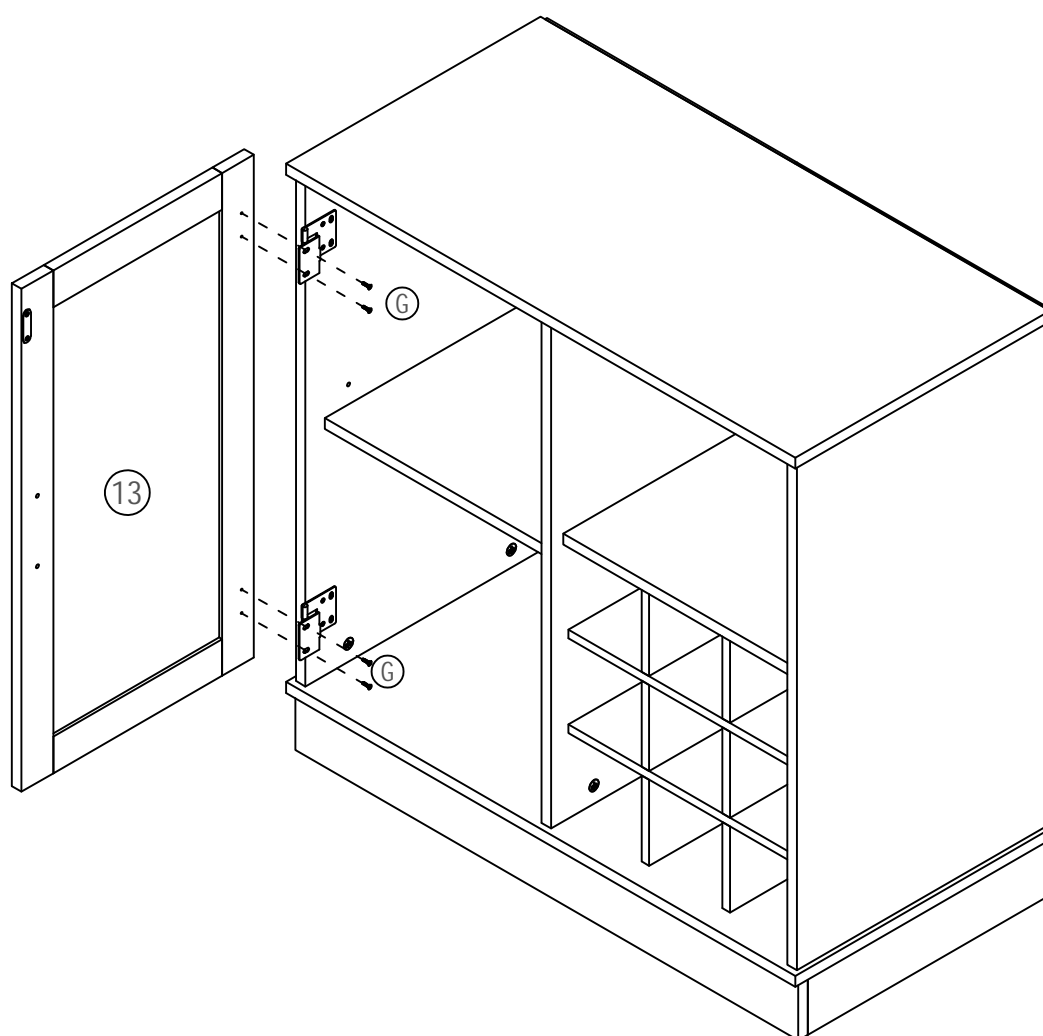


STEP11

G



4 PCS



STEP 12

