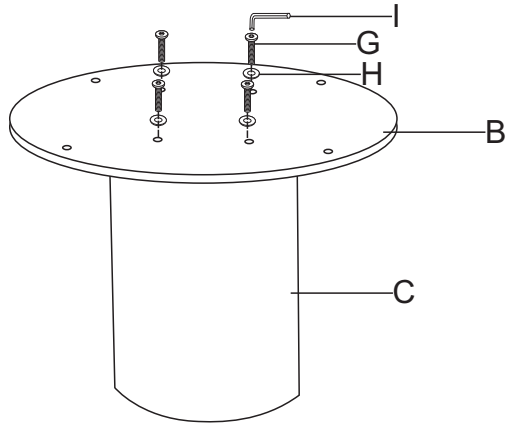
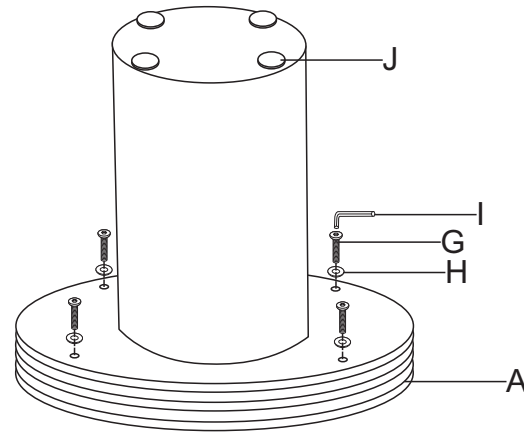


# ASSEMBLY INSTRUCTION

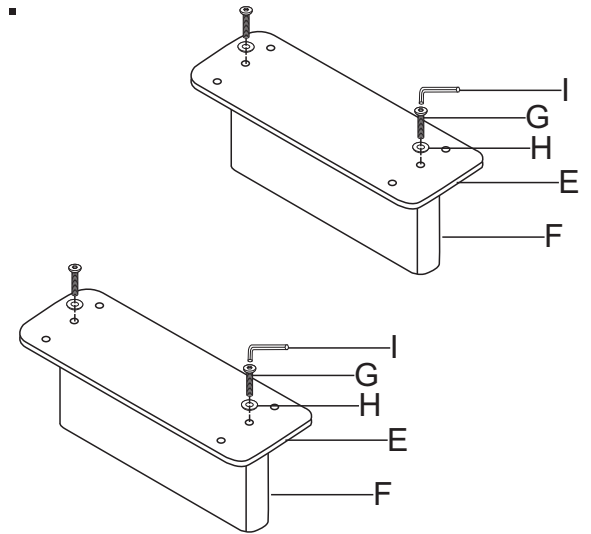
1.



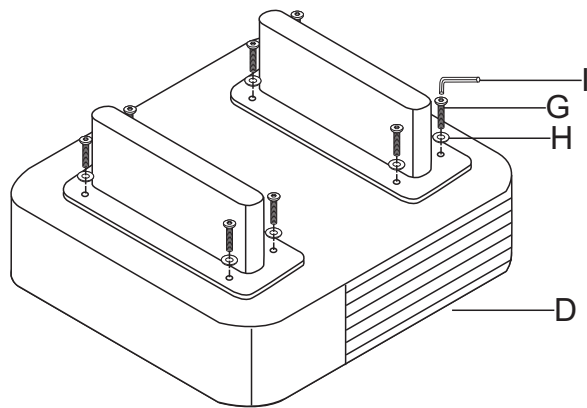
2.



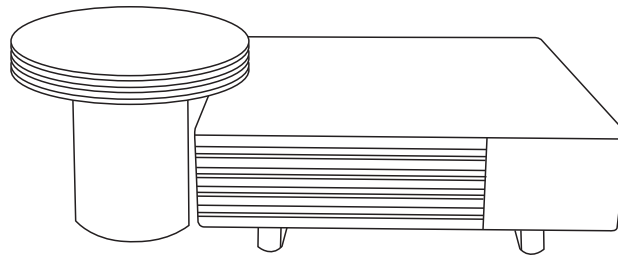
3.



4.



5.



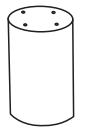
Ax1



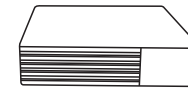
Bx1



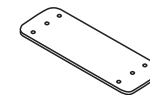
Cx1



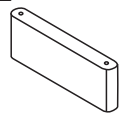
Dx1



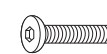
Ex2



Fx2



Gx20



Hx20



Ix1



Jx4

