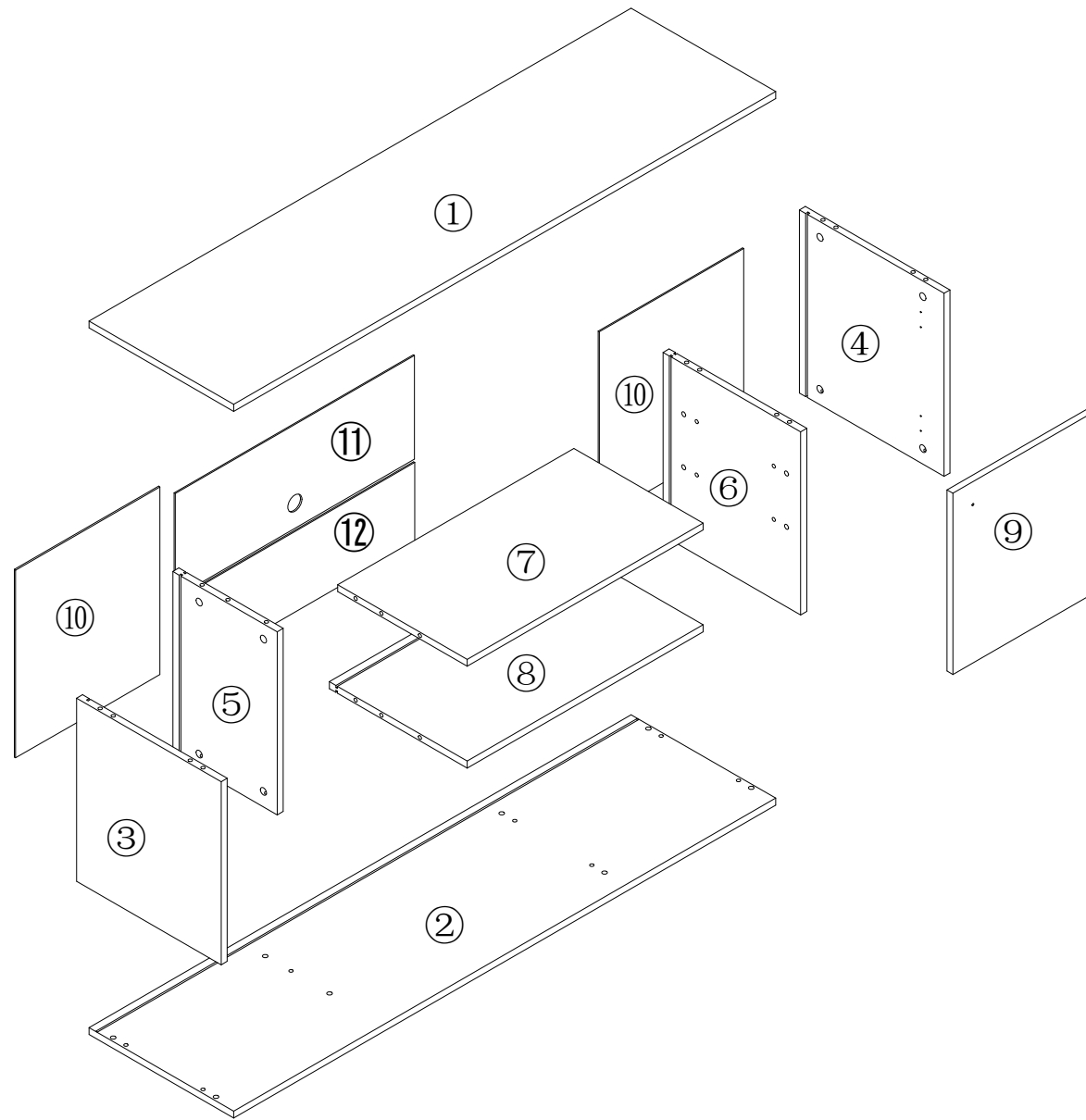


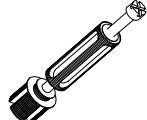

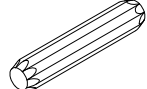


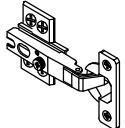
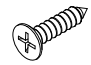
OME2206015






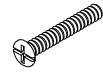
<b>K</b>	3*12	<b>L</b>
		
16PCS		1PCS

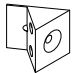
<b>A</b>	<b>B</b>
	
24PCS	24PCS

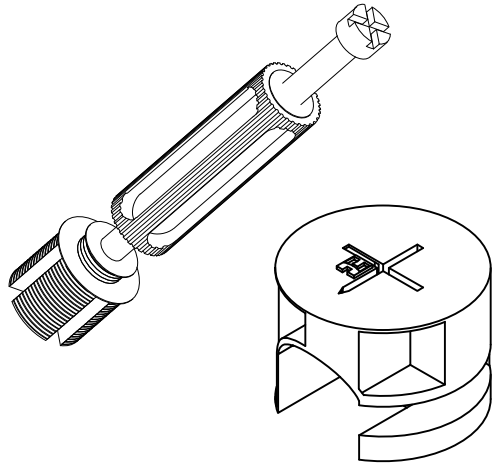
<b>C</b>	8*40
	
20PCS	

<b>D</b>	<b>E</b>
	3.5*14
2PCS	
	40PCS

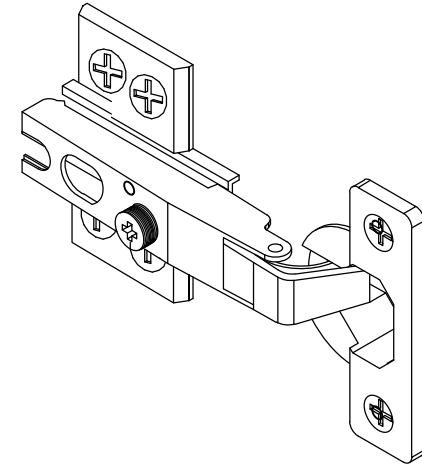
<b>F</b>	<b>G</b>
	
4PCS	4PCS

<b>H</b>	<b>I</b>
	4*20
1PCS	
	1PCS

<b>J</b>

16PCS

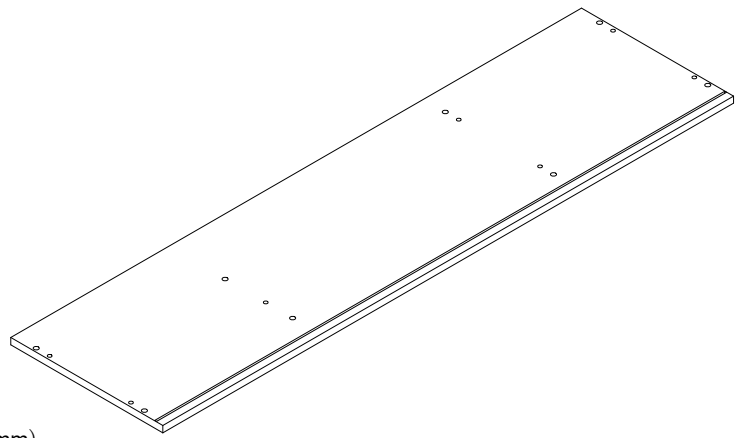


Scan QR code for hardware instructions



Scan QR code for hardware instructions

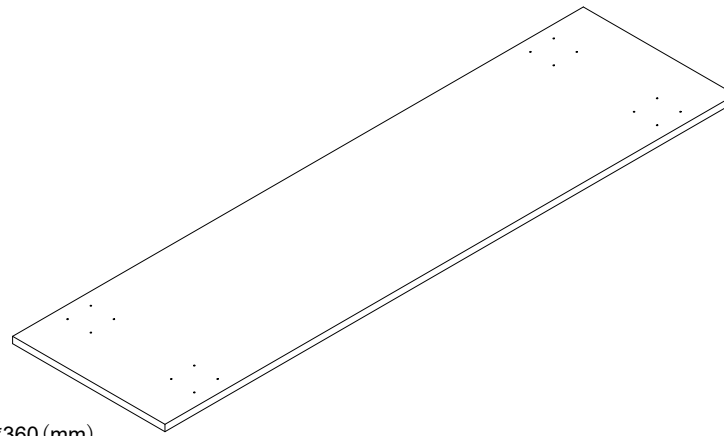
1



1350\*360 (mm)  
53.15\*14.17 (inch)

1PCS

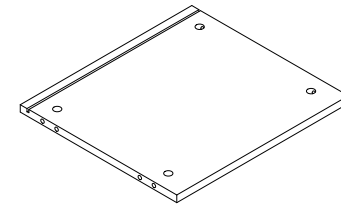
2



1350\*360 (mm)  
53.15\*14.17 (inch)

1PCS

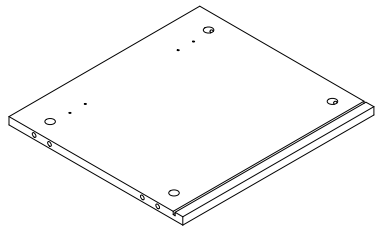
3



395\*360 (mm)  
15.55\*14.17 (inch)

1PCS

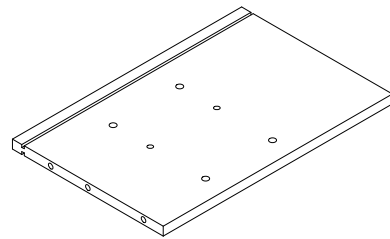
4



395\*360 (mm)  
15.55\*14.17 (inch)

1PCS

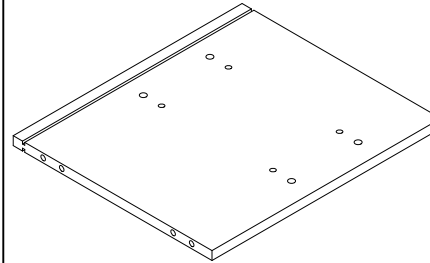
5



395\*260 (mm)  
15.55\*10.24 (inch)

1PCS

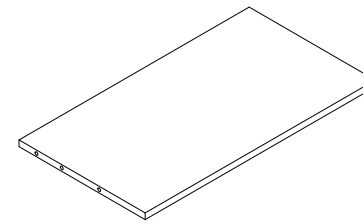
6



395\*343 (mm)  
15.55\*13.5 (inch)

1PCS

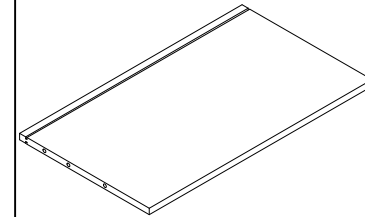
7



588\*322 (mm)  
23.15\*12.68 (inch)

1PCS

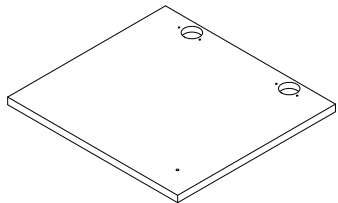
8



588\*343 (mm)  
23.15\*13.5 (inch)

1PCS

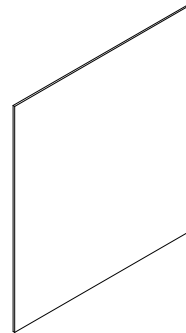
9



391\*363 (mm)  
15.4\*14.29 (inch)

1PCS

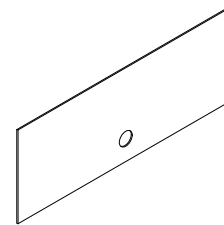
10



405\*359 (mm)  
15.94\*14.13 (inch)

2PCS

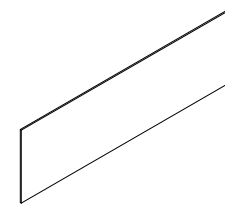
11



596\*224 (mm)  
23.46\*8.82 (inch)

1PCS

12



596\*174 (mm)  
23.46\*6.85 (inch)

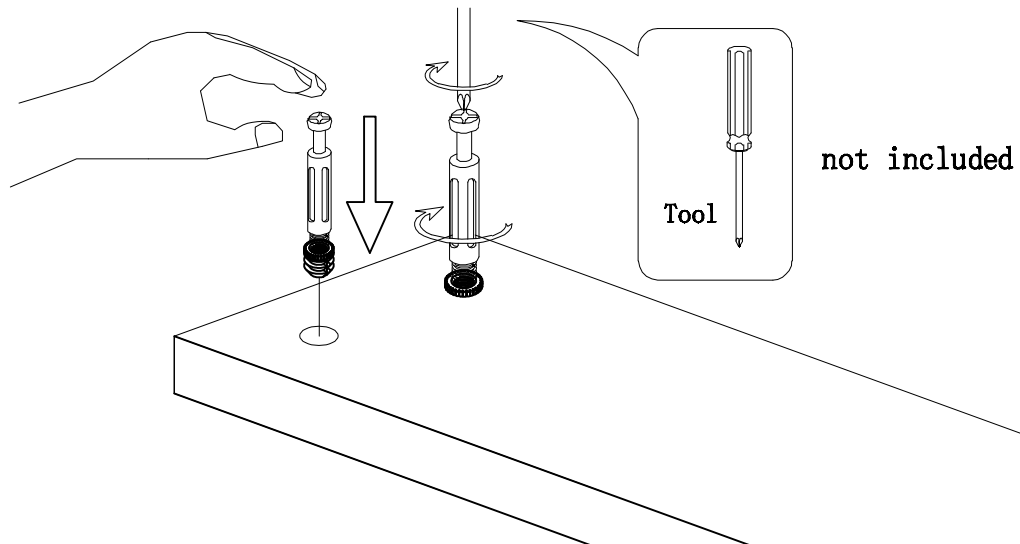
1PCS



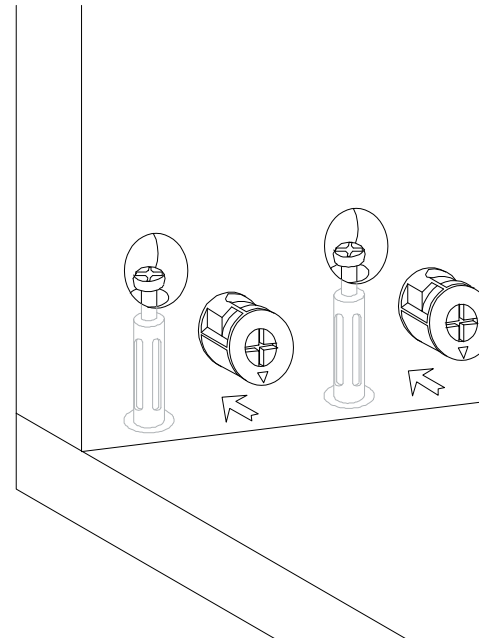
## Hardware installation demonstration

NOTE: Please make sure "A" hardware tightened and can't be pulled out!

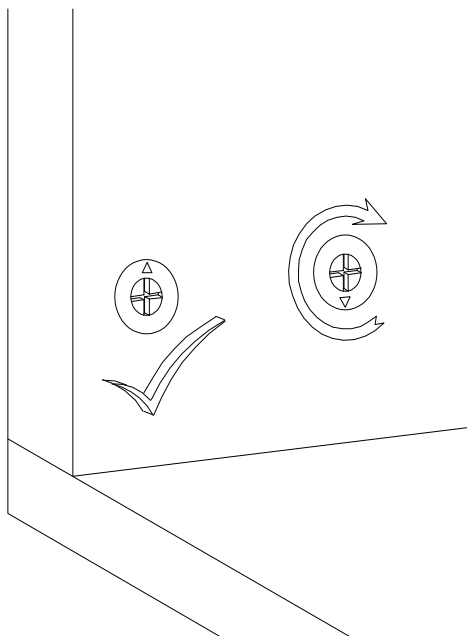
I



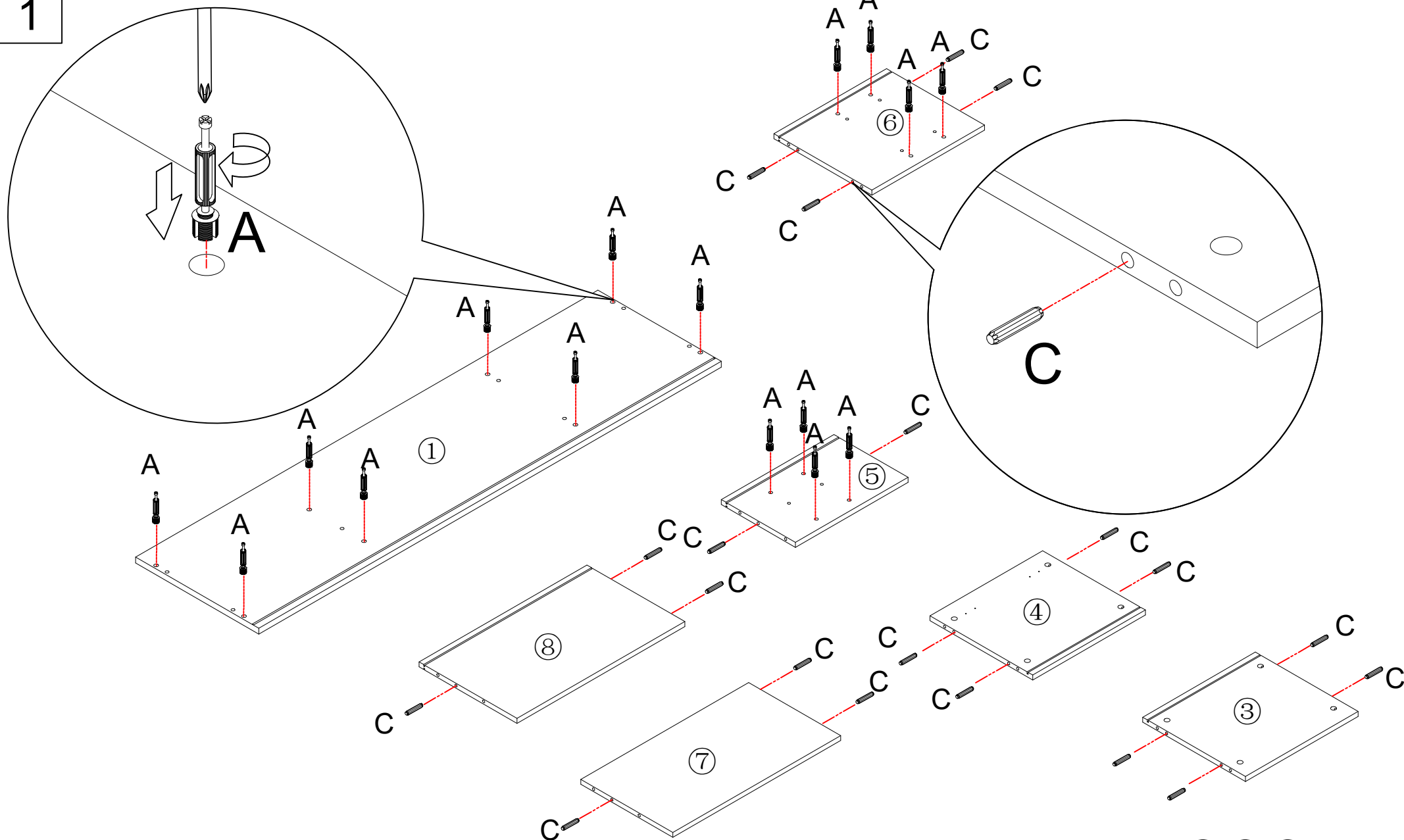
II



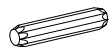
III



1



A\*16

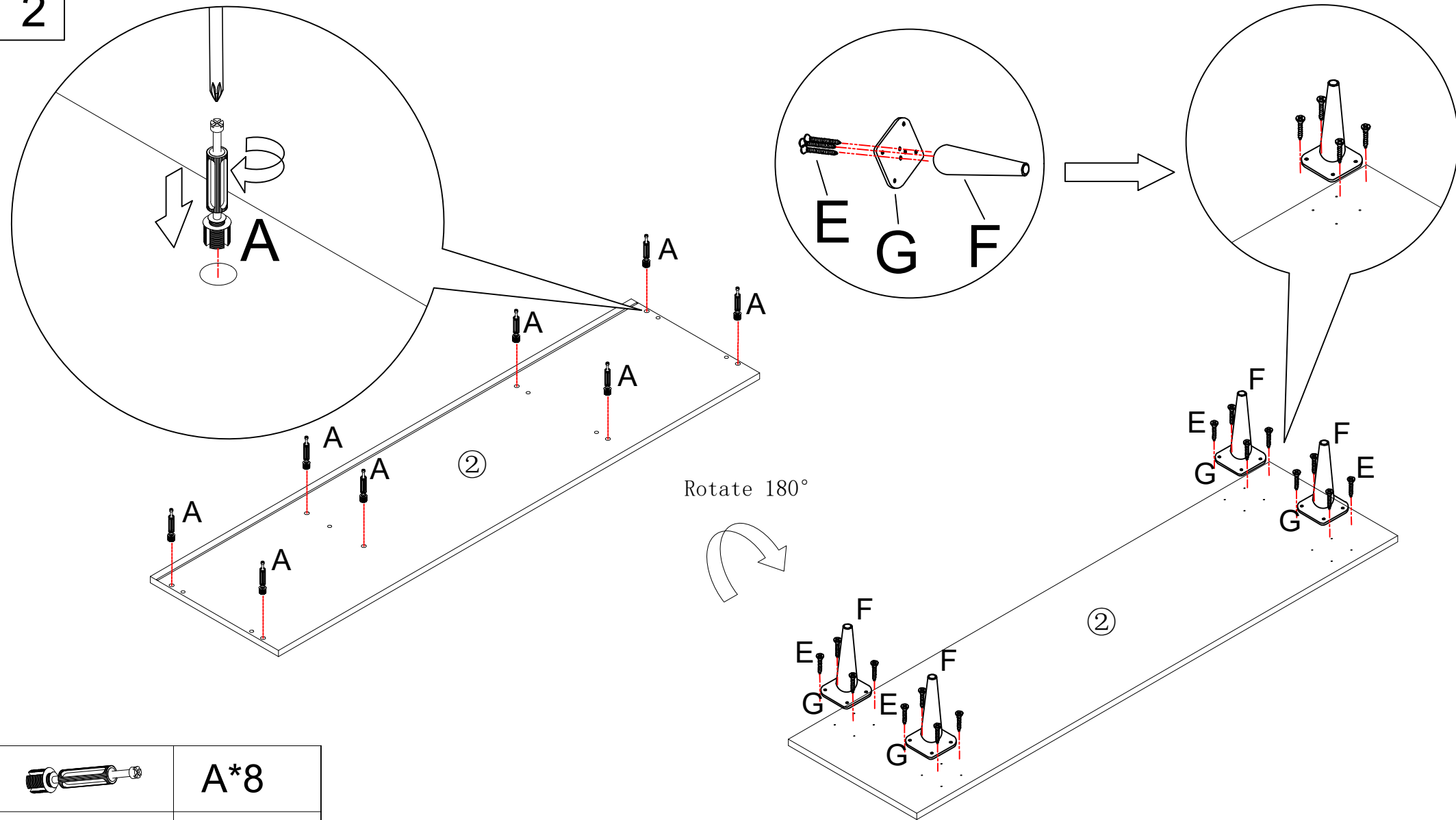


C\*20

Put A on board ①⑤⑥

Put C on board ③④⑤⑥⑦⑧

2



A\*8



E\*28

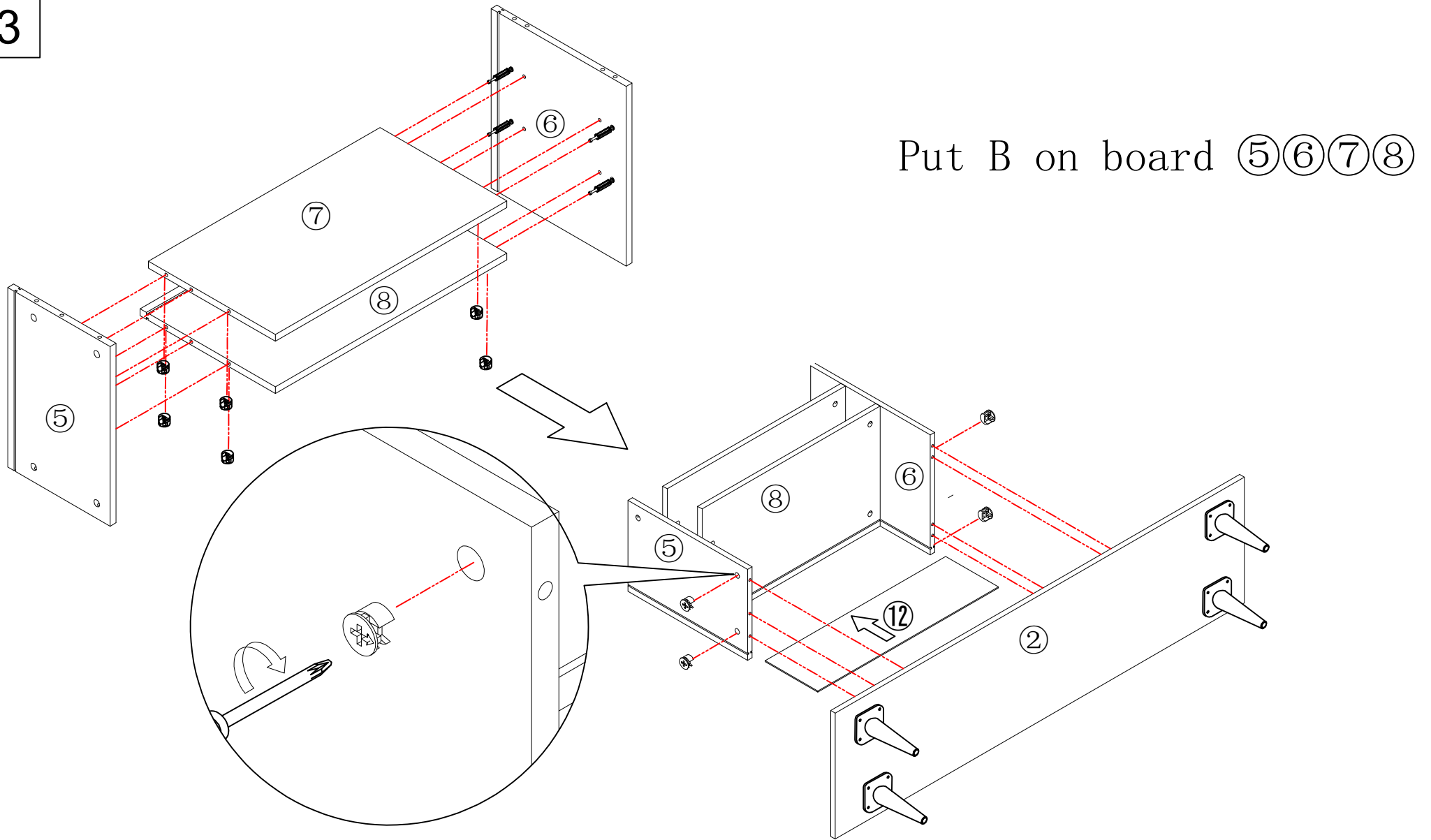


F\*4



G\*4

3



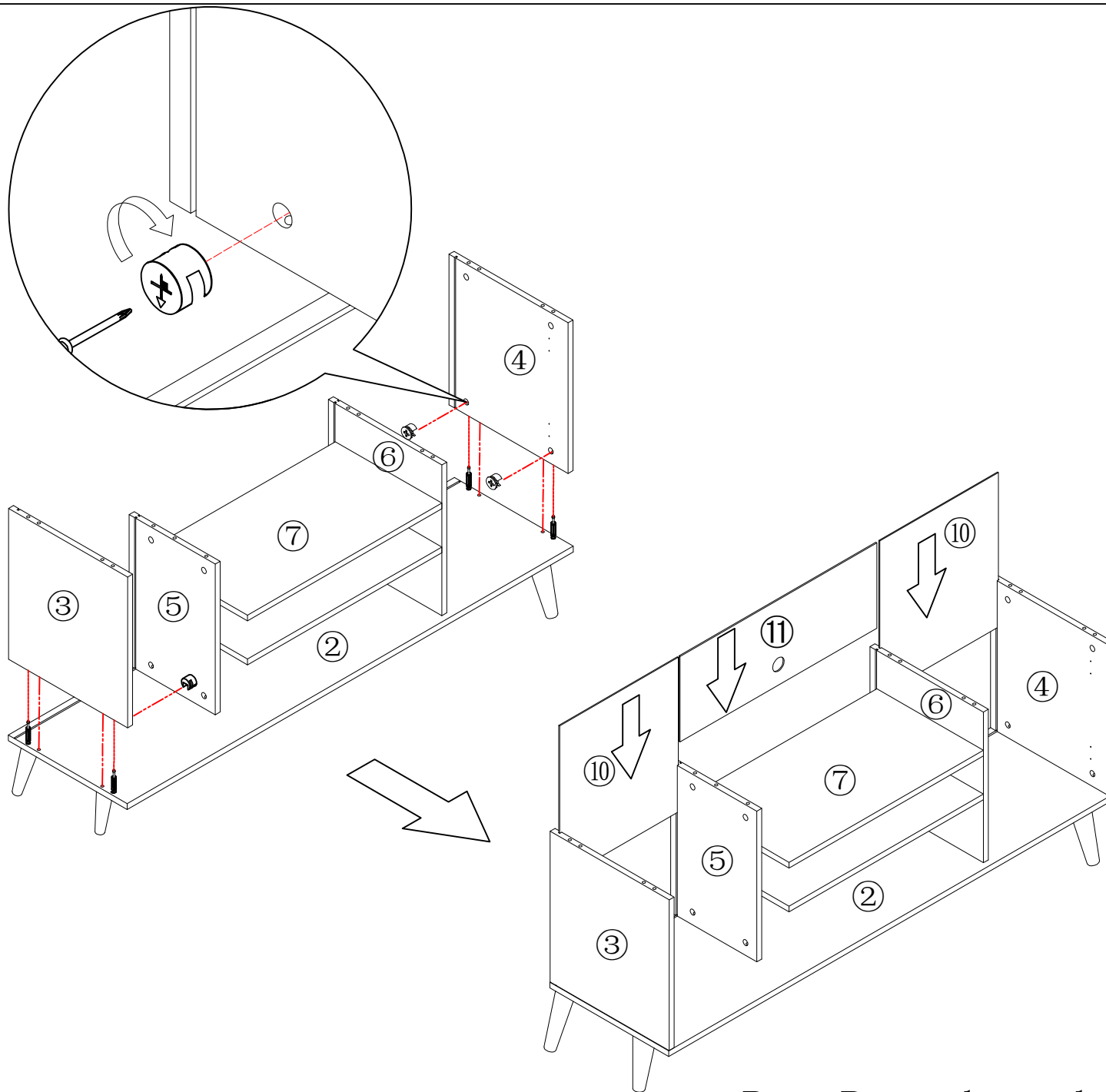
Make sure the arrow on the screw align to the hole on the side



**B\*12**



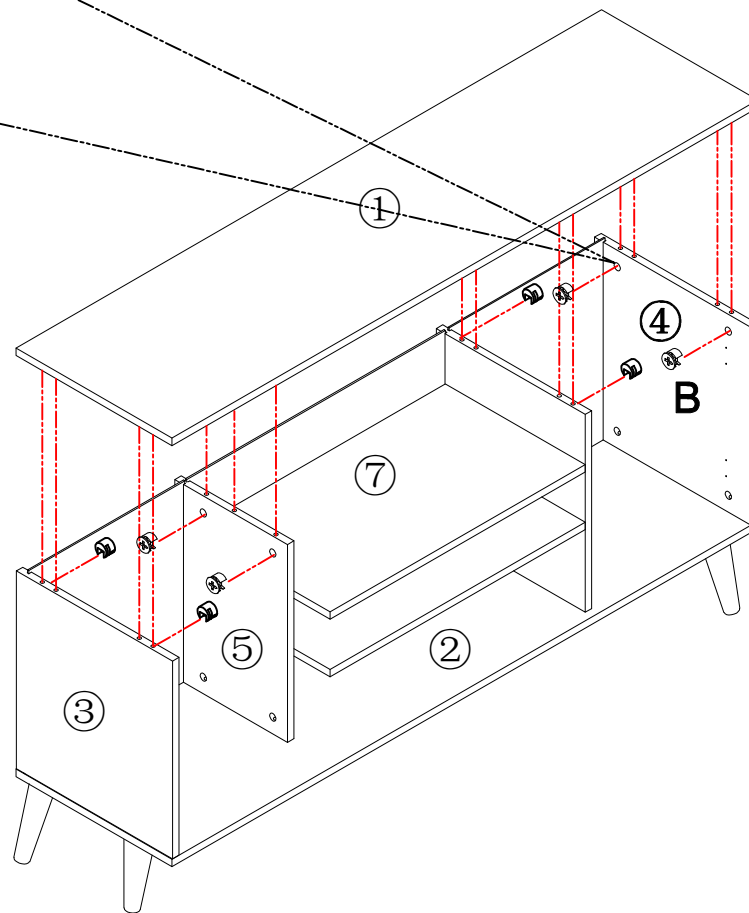
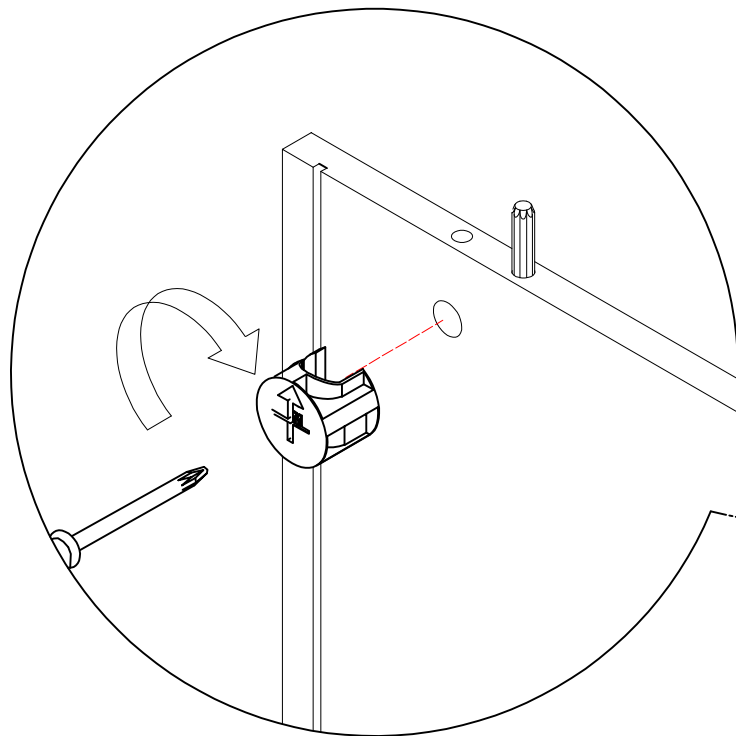
4



B\*4

Put B on board ③④

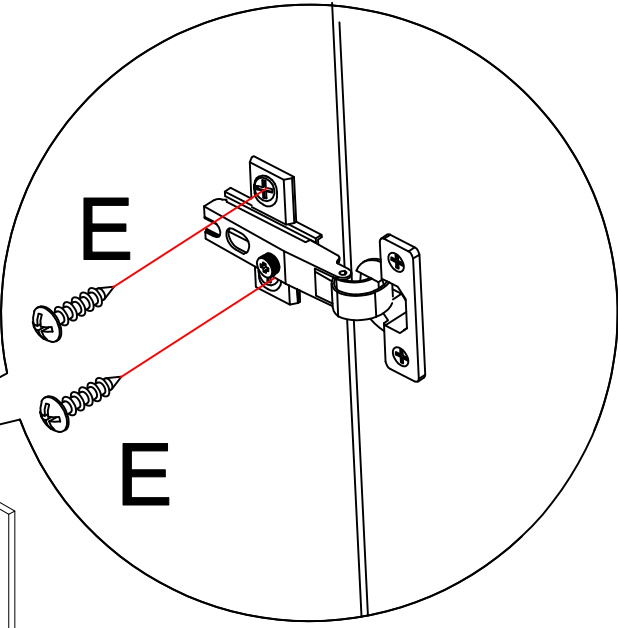
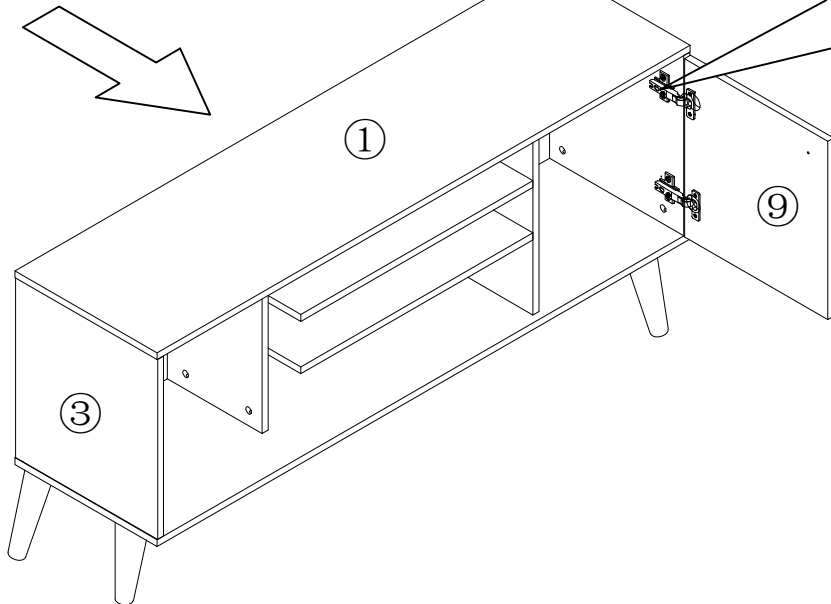
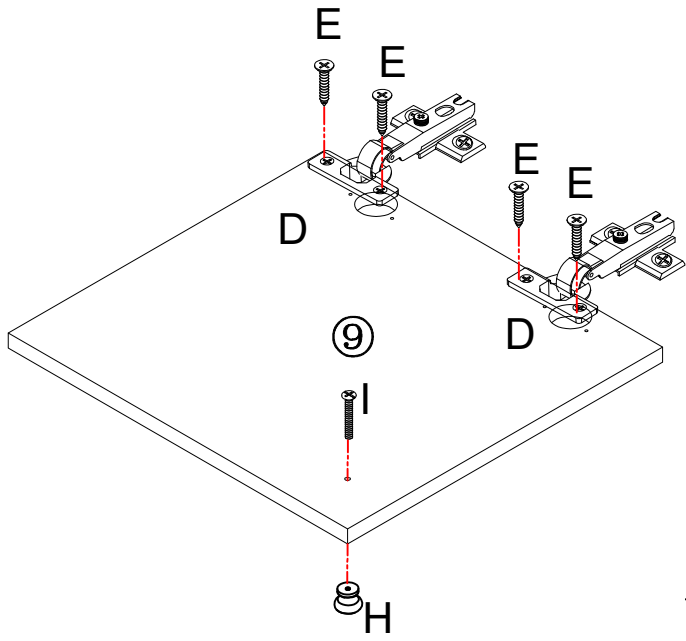
5

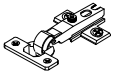





**B\*8**

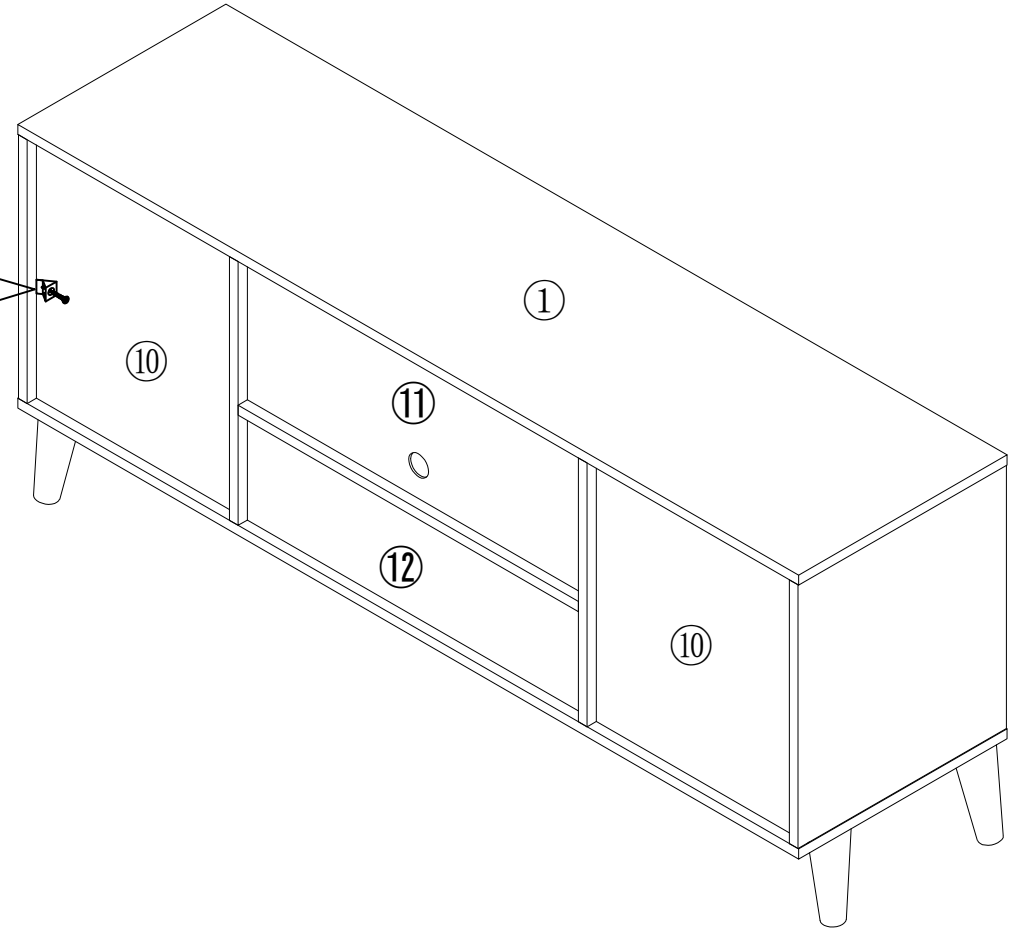
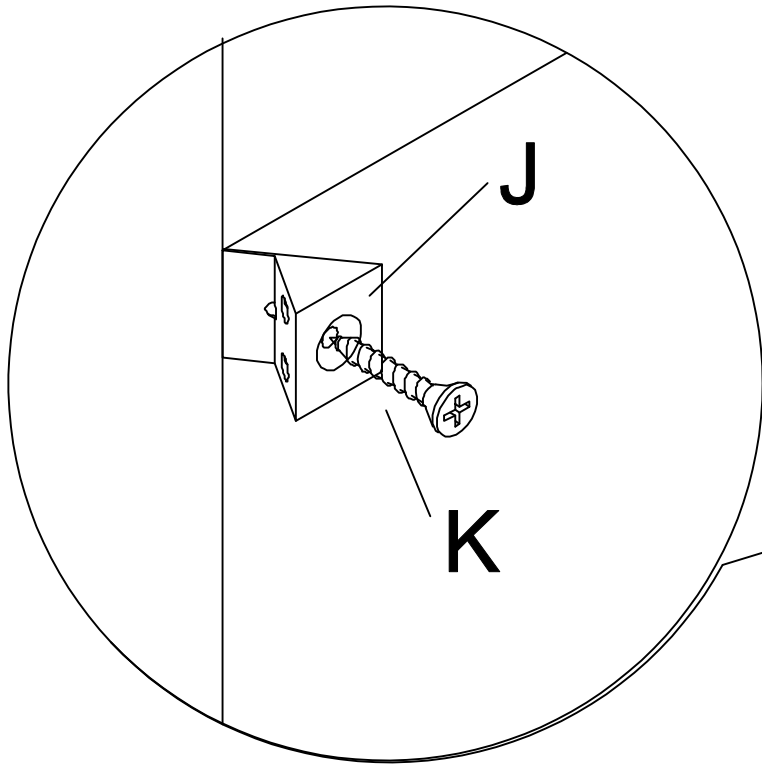
Put B on board ③④

6



	<b>D*2</b>
	<b>E*12</b>
	<b>H*1</b>
	<b>I*1</b>

7



**J\*16**



**K\*16**

