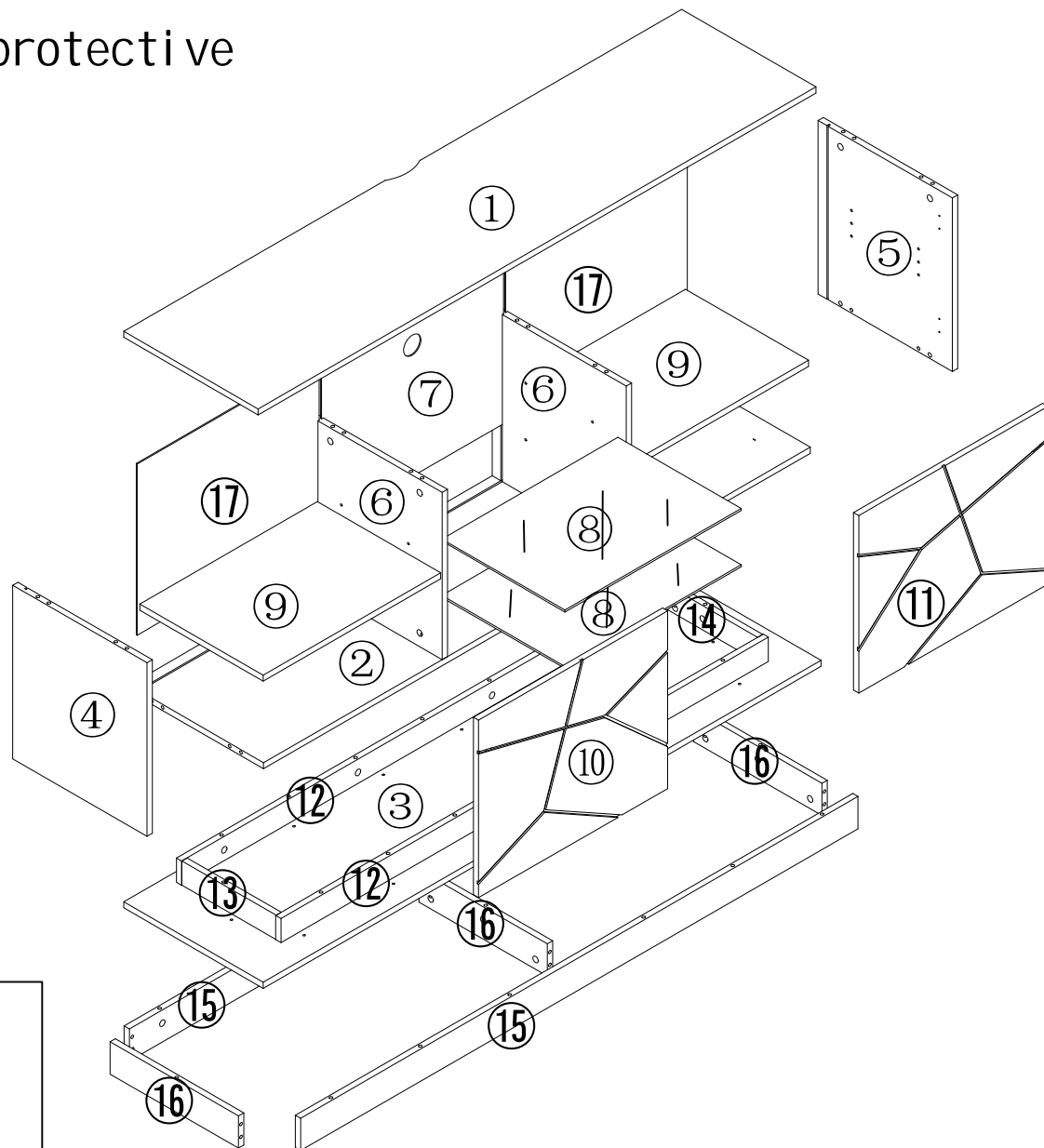

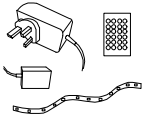
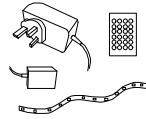

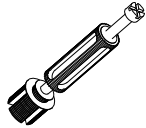

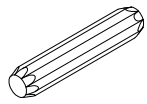
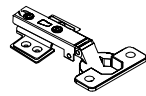


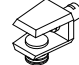
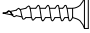
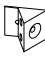

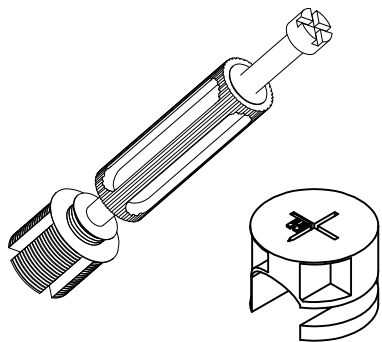


OME2206022

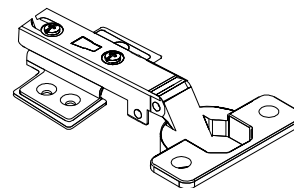
Note: No. 10 and 11 board with protective film. Please tear it off after installation !



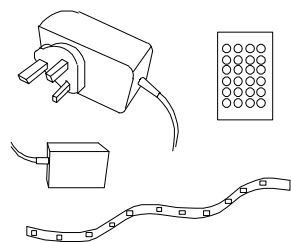
K  15PCS	LED  1PCS	LED  1PCS	 1PCS						
A  47PCS	B  47PCS	C 8*40  36PCS	D  4PCS	E 7*50  14PCS	F  8PCS	G  8PCS	H 3.5*14  24PCS	I  25PCS	J 3*12  25PCS



Scan QR code for hardware instructions



Scan QR code for hardware instructions

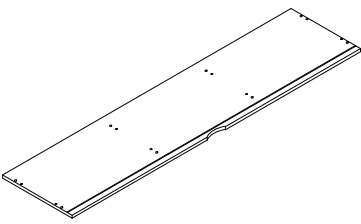


Scan QR code for hardware instructions



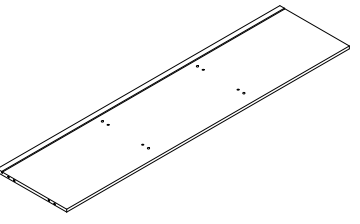
Scan QR code for LED operation

1 1599*385 (mm)
62.95*15.16 (inch)



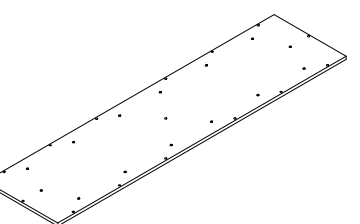
1PCS

2 1567*385 (mm)
61.7*15.16 (inch)



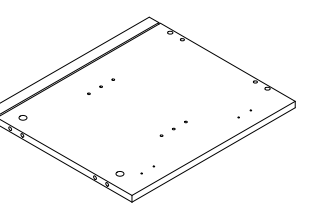
1PCS

3 1599*400 (mm)
62.95*15.75 (inch)



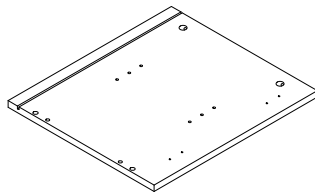
1PCS

4 431*385 (mm)
16.97*15.16 (inch)



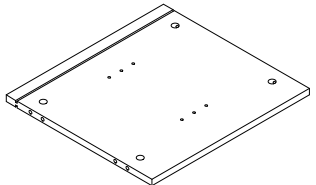
1PCS

5 431*385 (mm)
16.97*15.16 (inch)



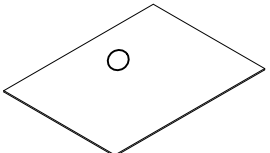
1PCS

6 415*385 (mm)
16.34*15.16 (inch)



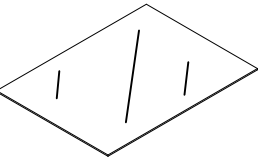
2PCS

7 521*425 (mm)
20.51*16.73 (inch)



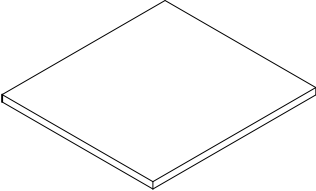
1PCS

8 504*353 (mm)
19.84*13.9 (inch)



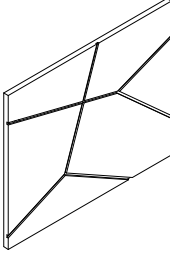
2PCS

9 509*353 (mm)
20.04*13.9 (inch)



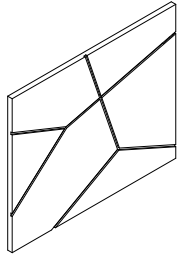
2PCS

10 542*441 (mm)
21.34*17.36 (inch)



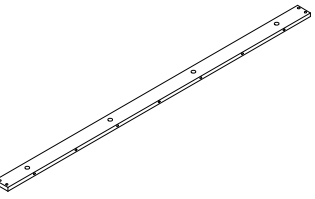
1PCS

11 542*441 (mm)
21.34*17.36 (inch)



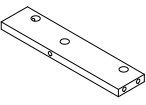
1PCS

12 1397*60 (mm)
55*2.36 (inch)



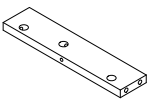
2PCS

13 270*60 (mm)
10.63*2.36 (inch)



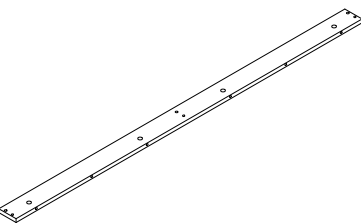
1PCS

14 270*60 (mm)
10.63*2.36 (inch)



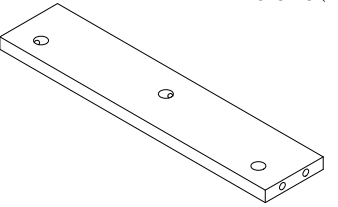
1PCS

15 1598*80 (mm)
62.91*3.15 (inch)



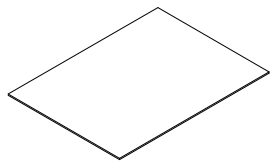
2PCS

16 368*80 (mm)
14.49*3.15 (inch)



3PCS

17 521*425 (mm)
20.51*16.73 (inch)



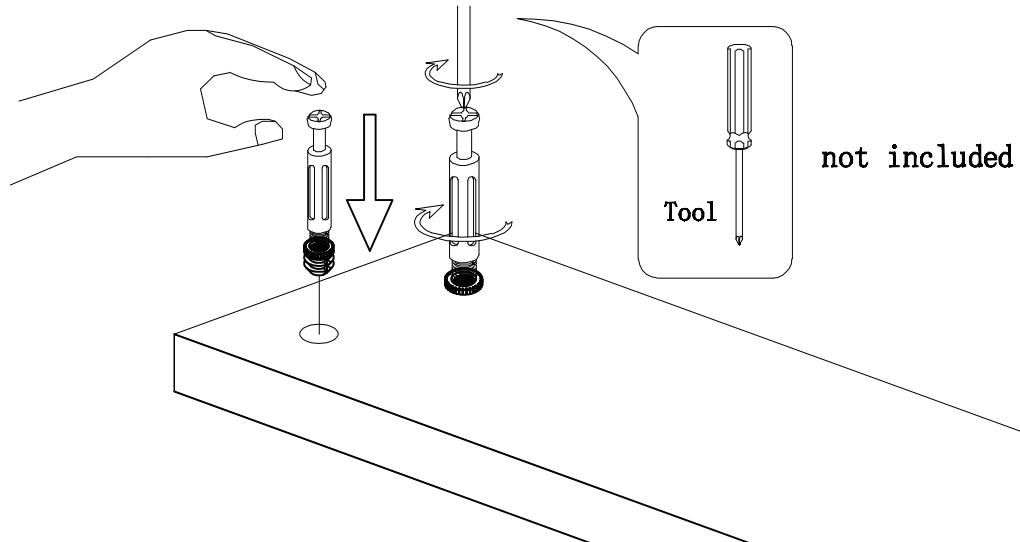
2PCS



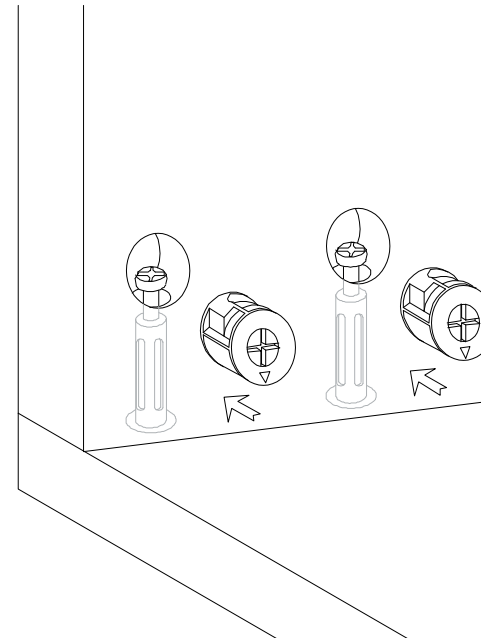
Hardware installation demonstration

NOTE: Please make sure "A" hardware tightened and can't be pulled out!

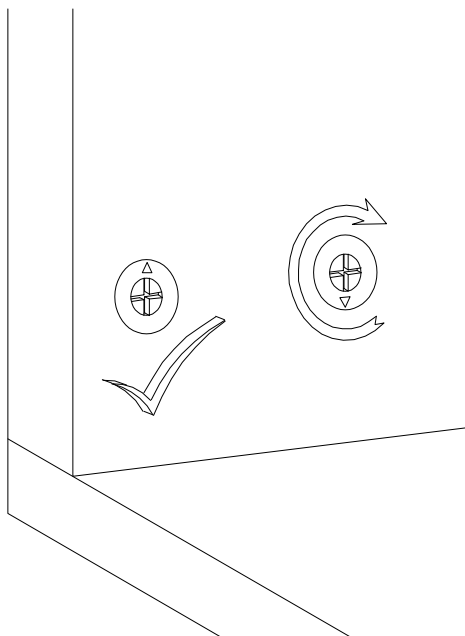
I



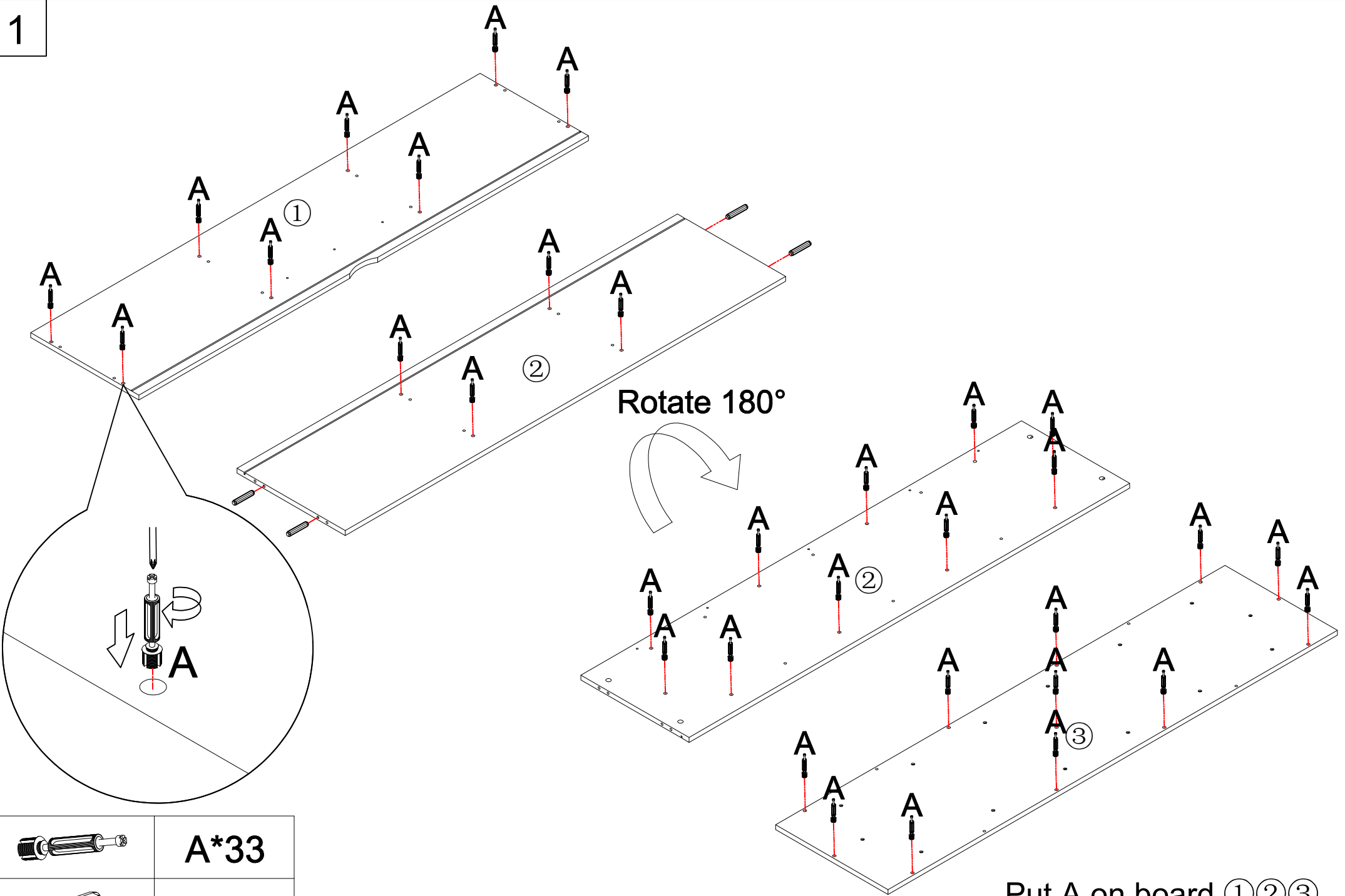
II



III



1



Rotate 180°

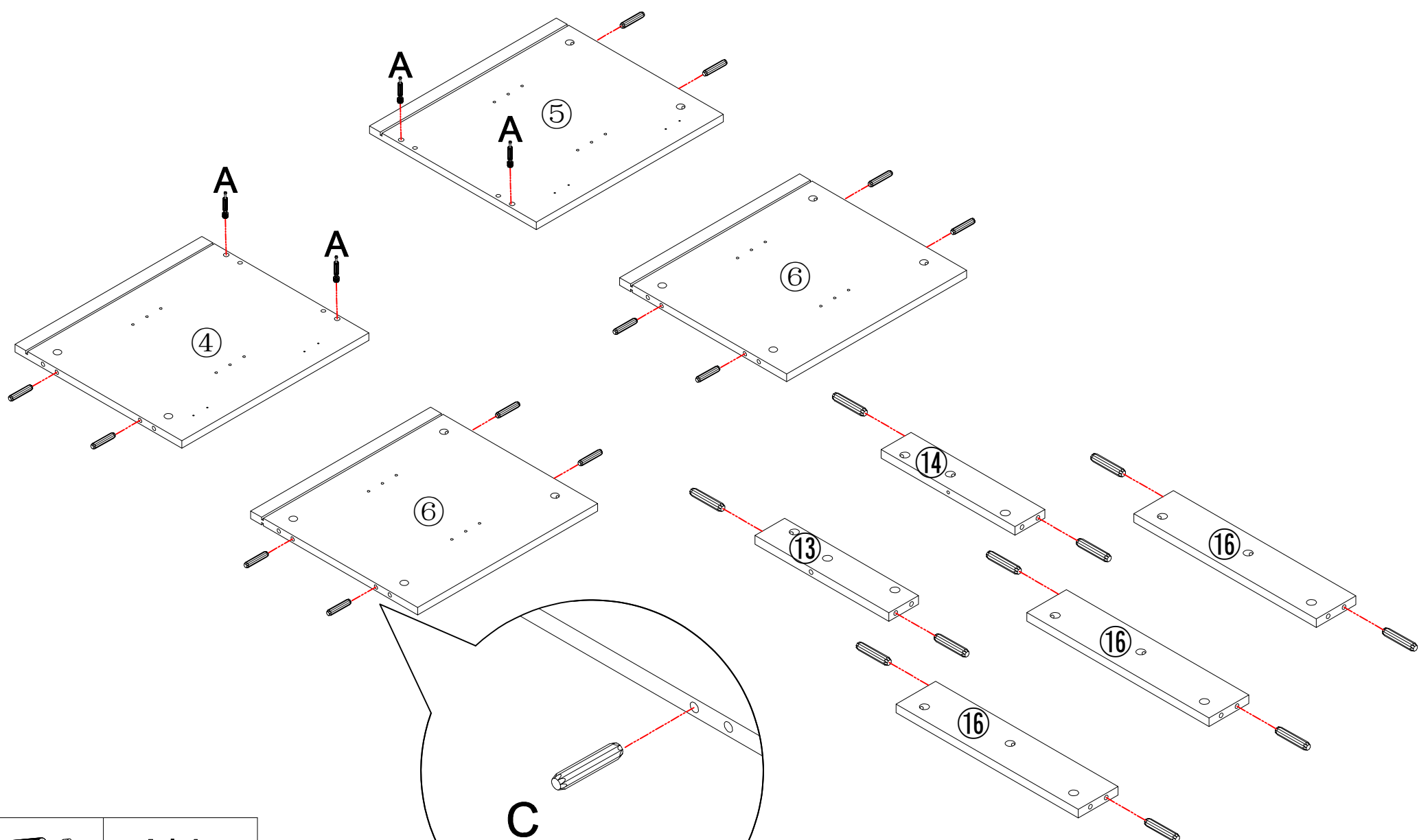
Put A on board ①②③





A*33



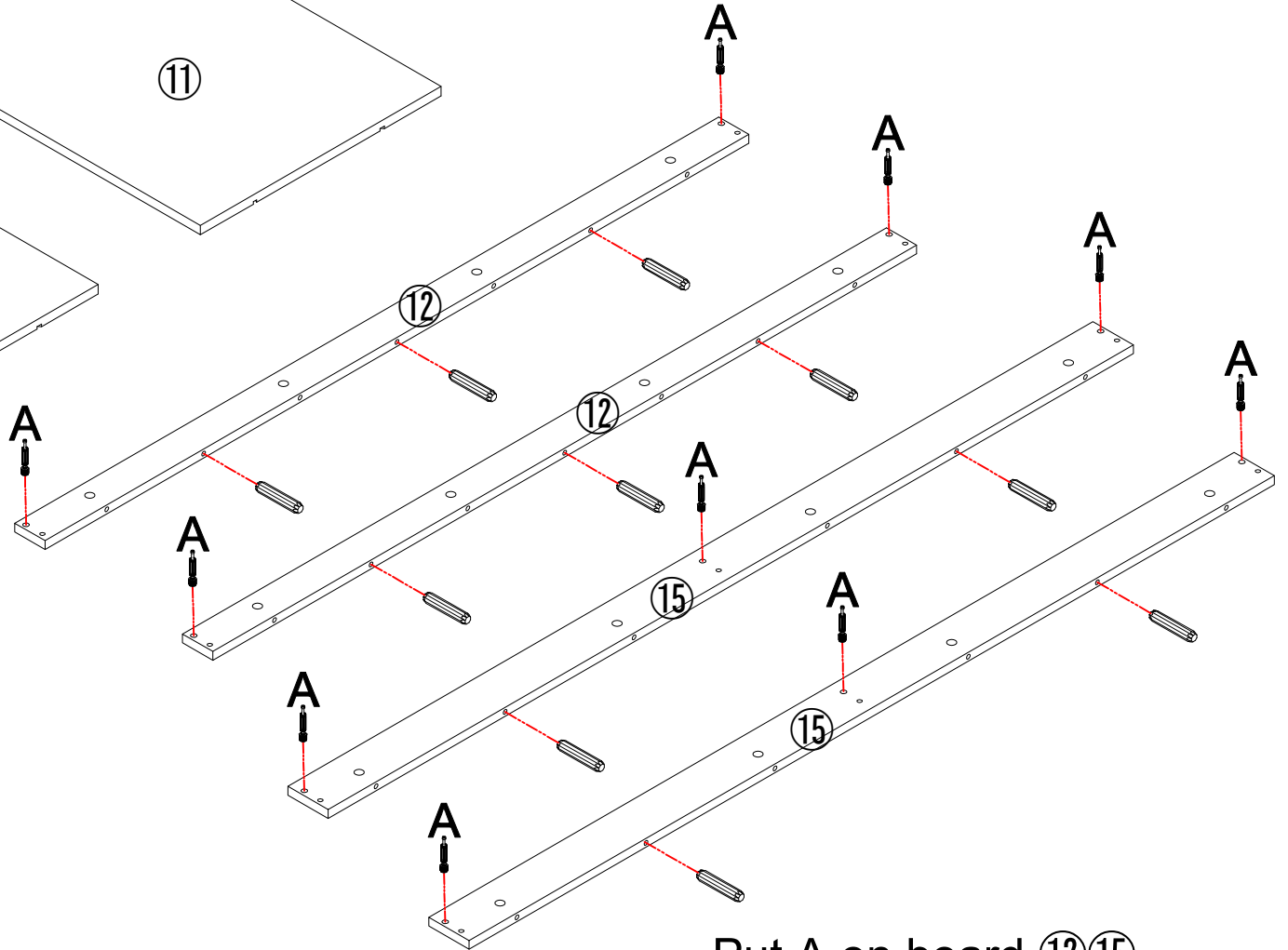
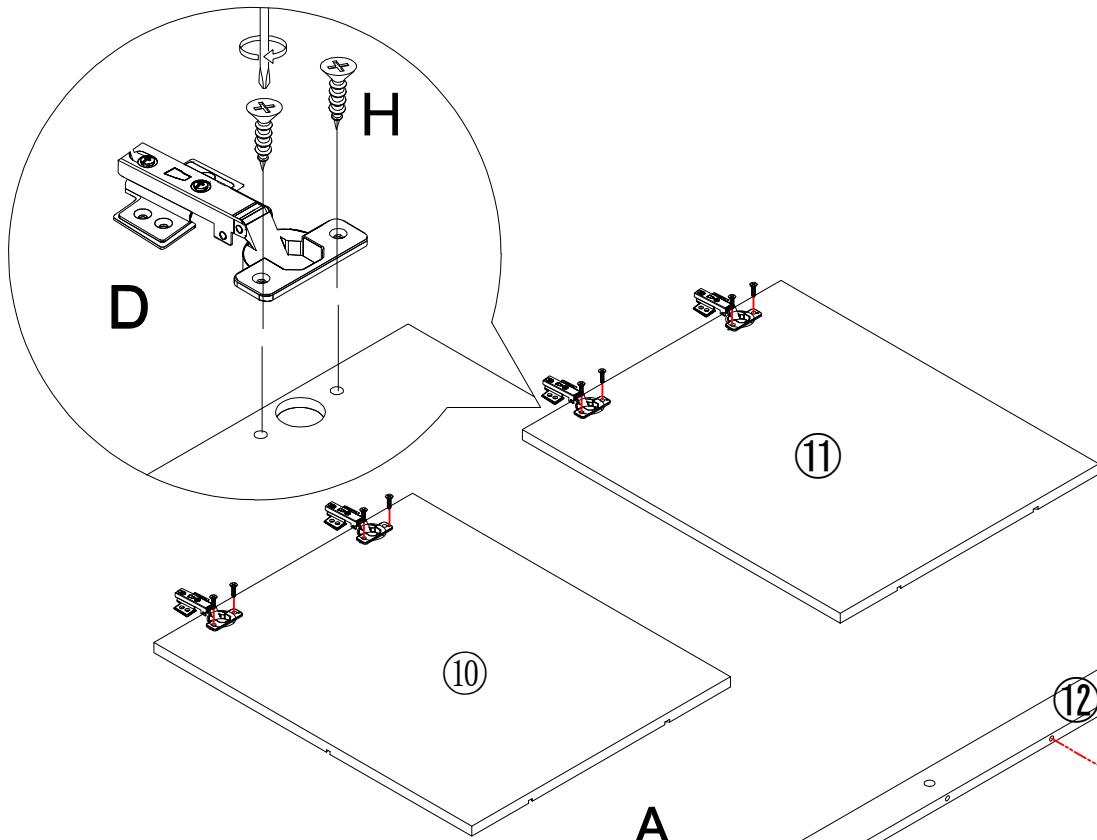
C*4



	A*4
	C*22

Put A on board ④⑤
Put C on board ④⑤⑥⑬⑭⑯

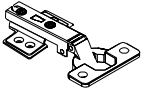
3



A*10



C*10



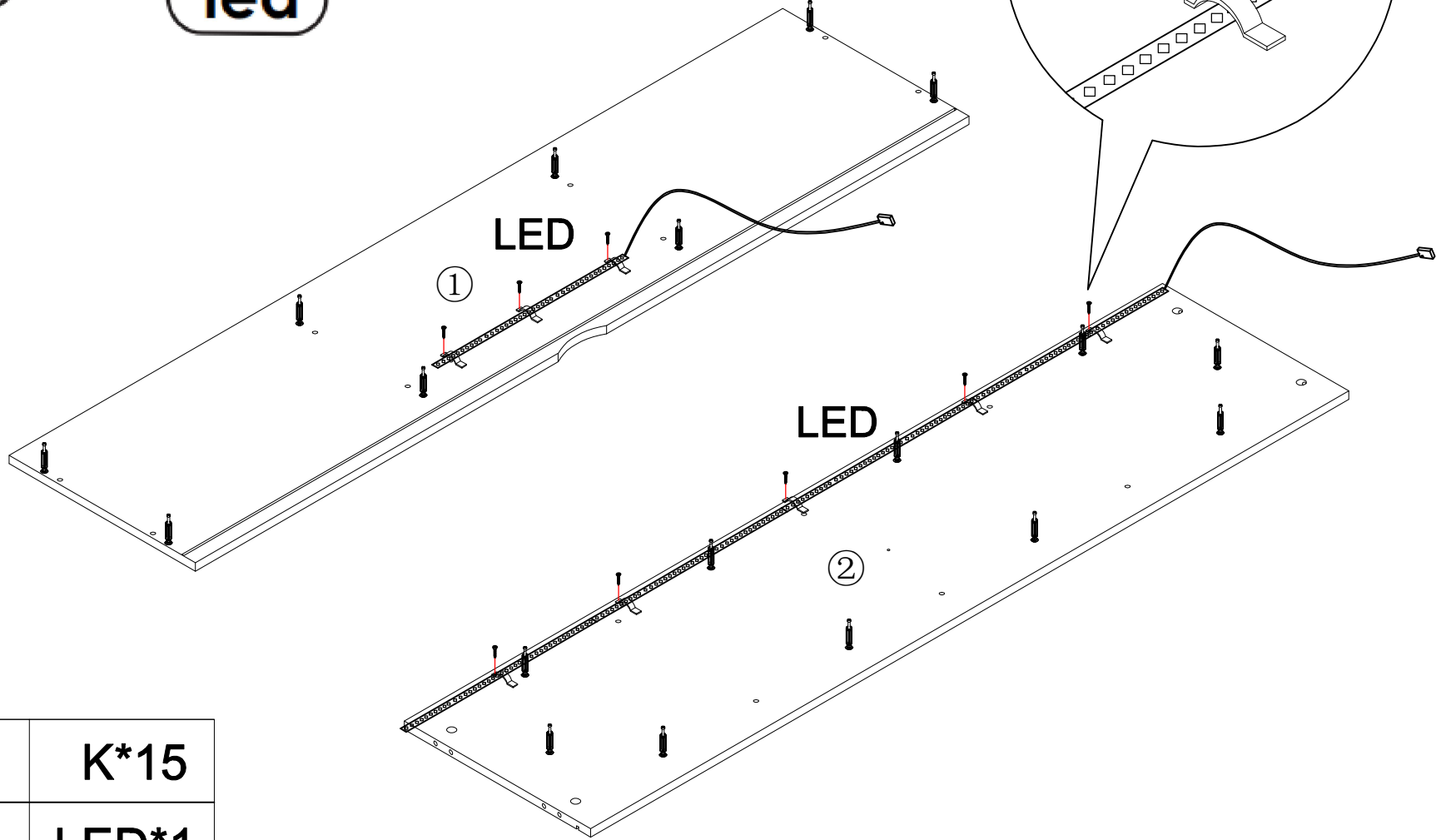
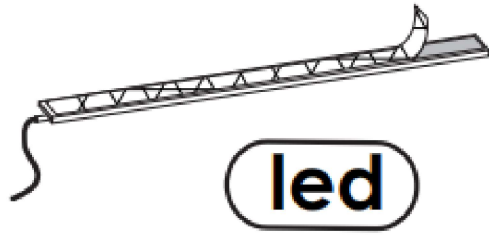
D*4



H*8

Put A on board ⑫⑮
Put C on board ⑫⑮

4



K*15



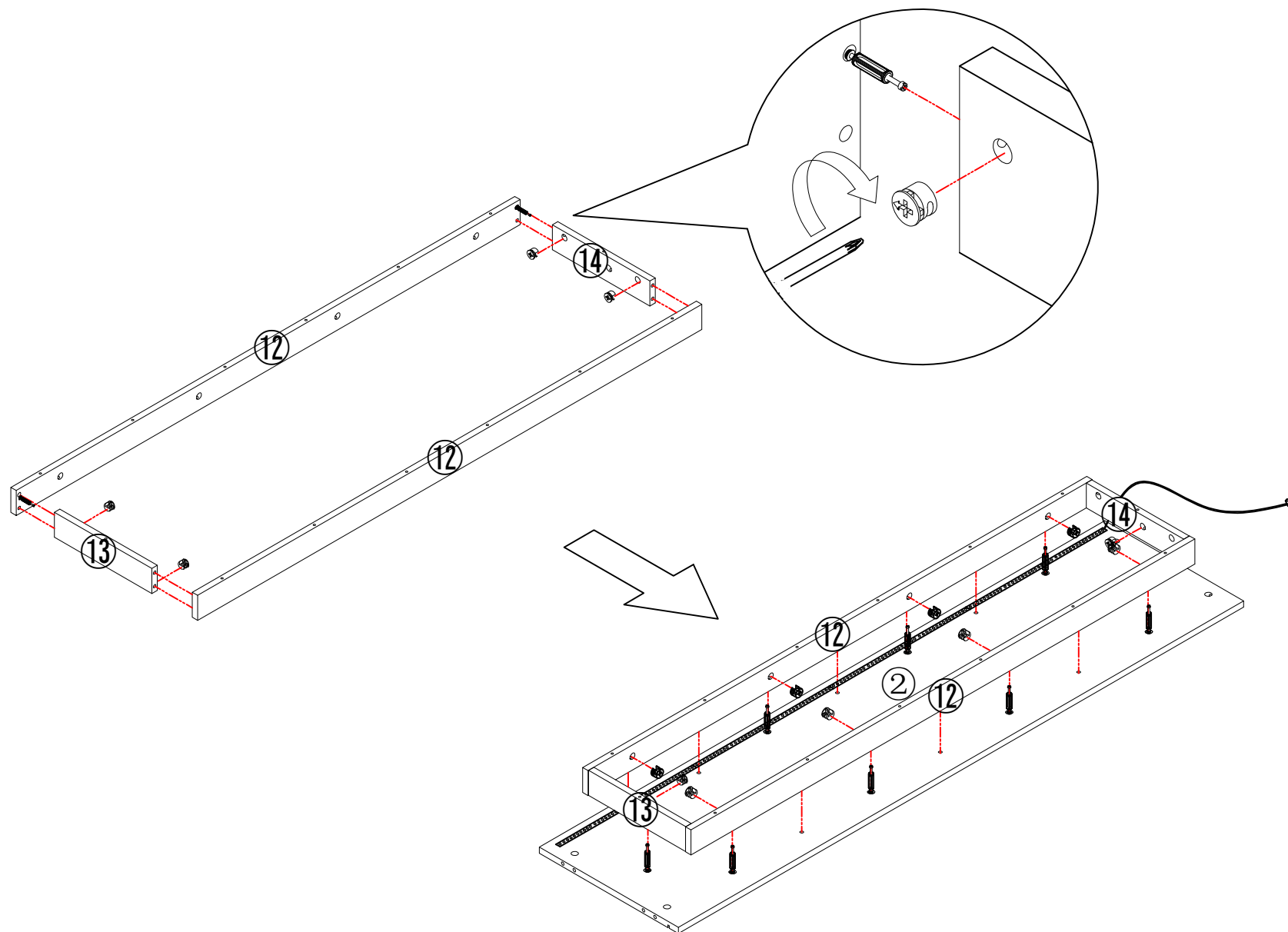
LED*1



LED*1

5

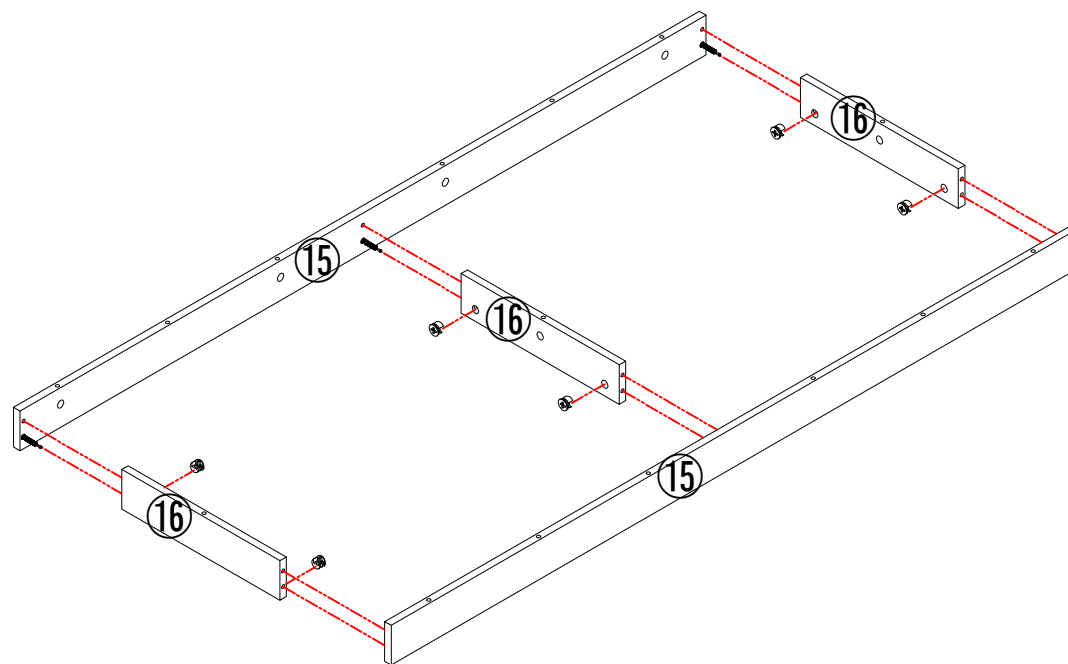
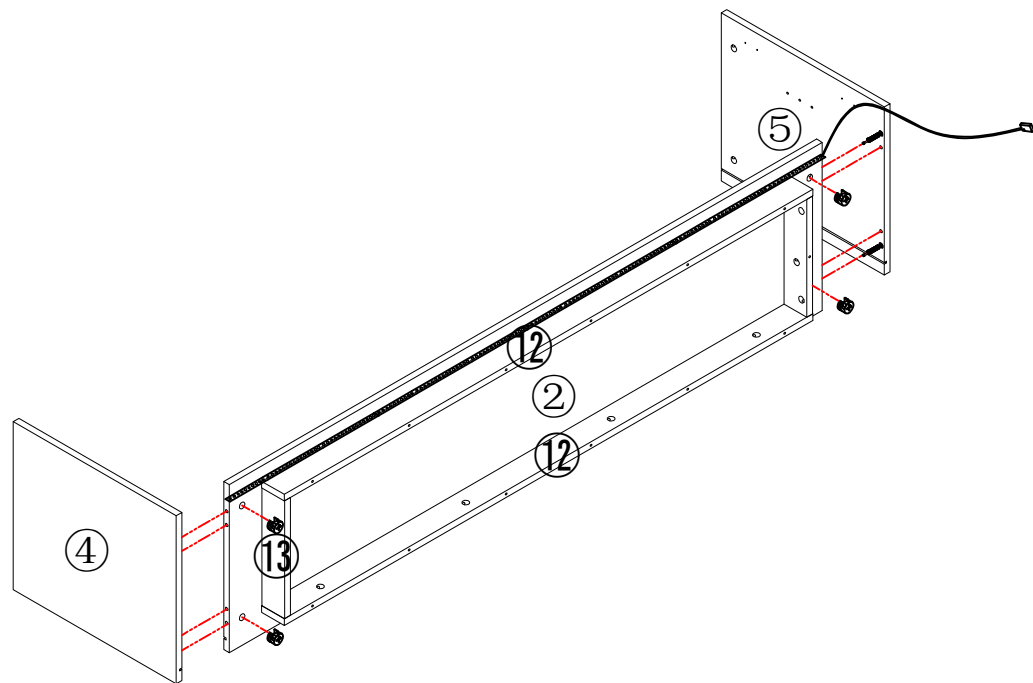
Make sure the arrow on the screw align to the hole on the side



B*14

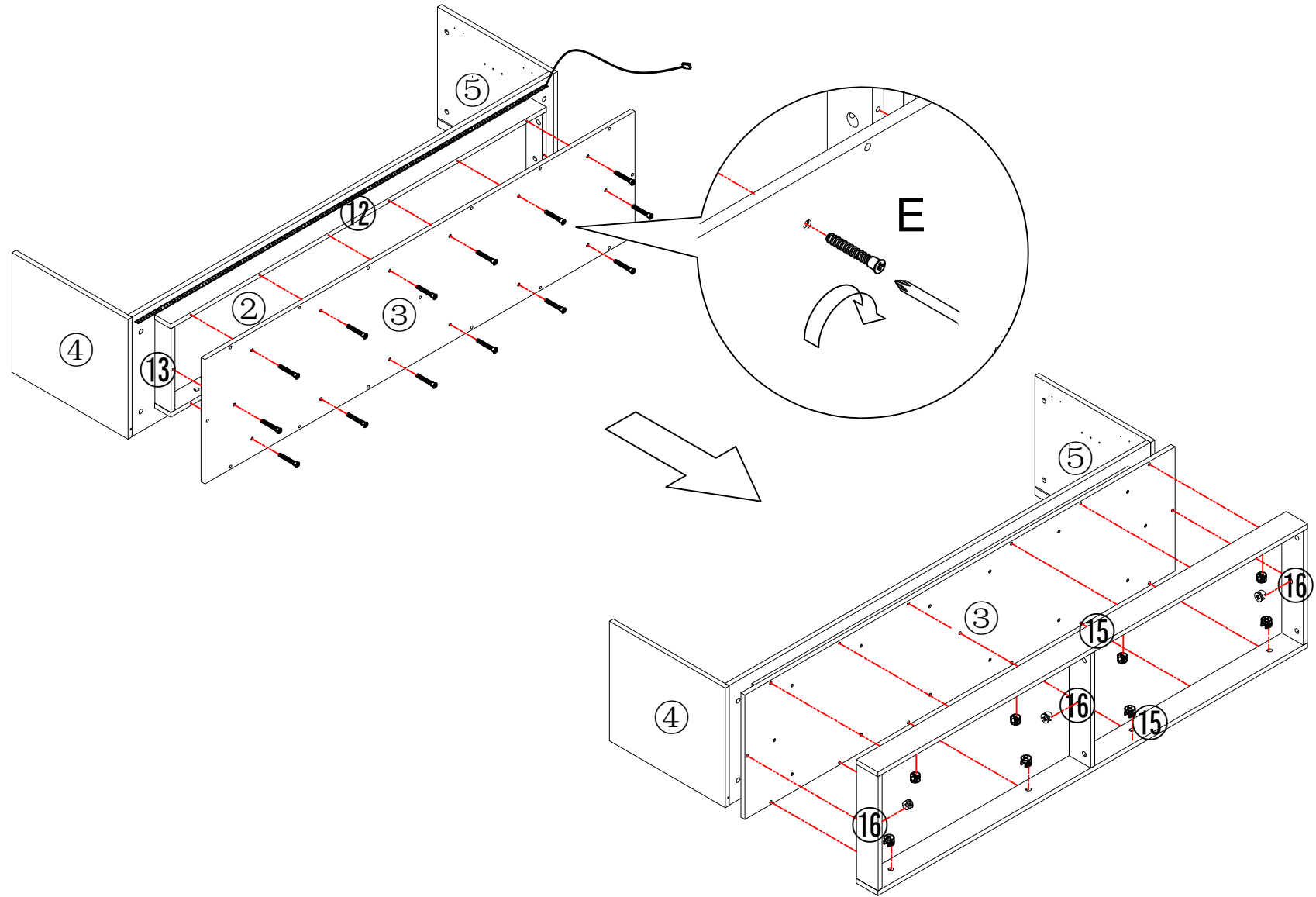
Put B on board ⑫⑬⑭

6



B*10

Put B on board ②①⑥

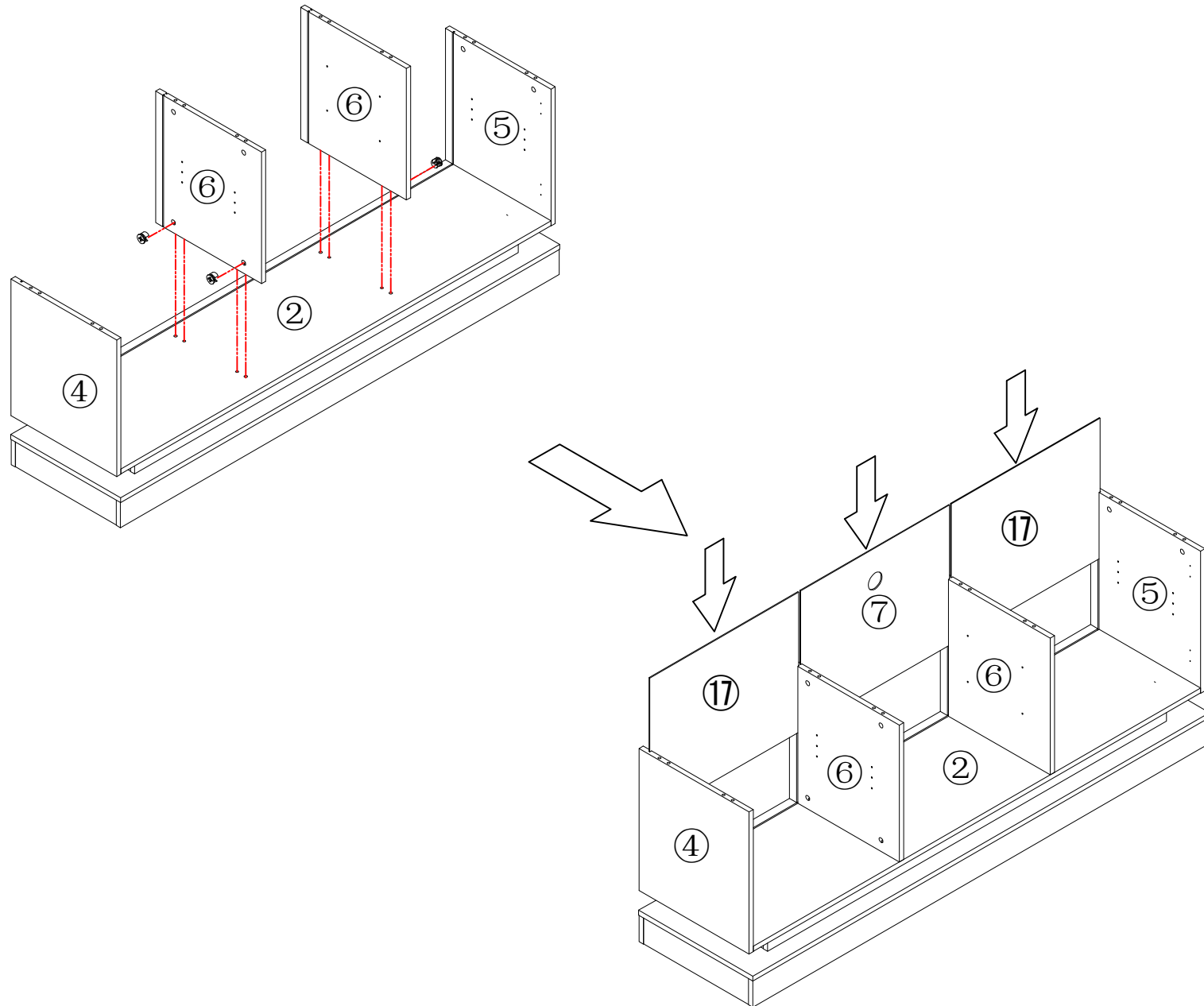


B*11



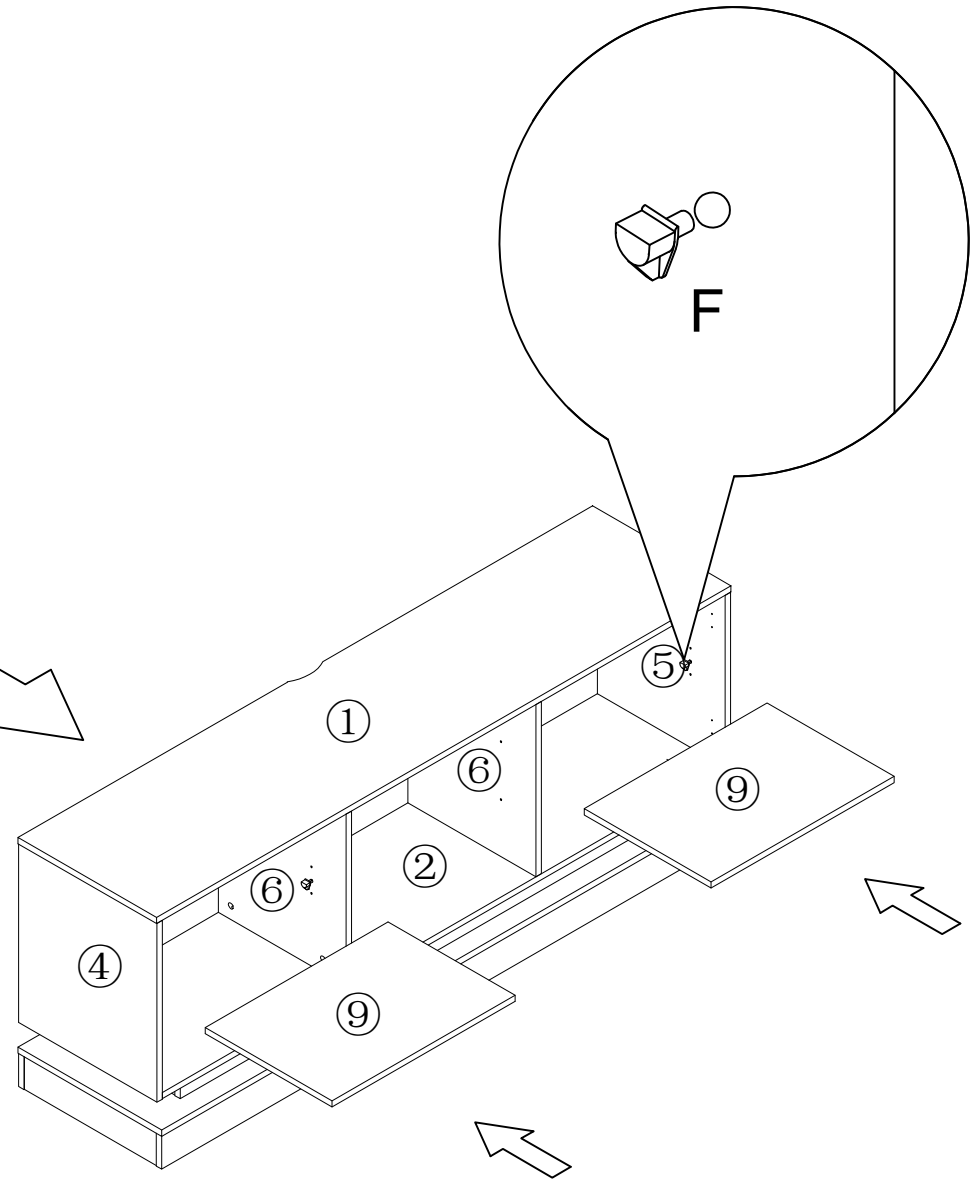
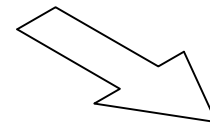
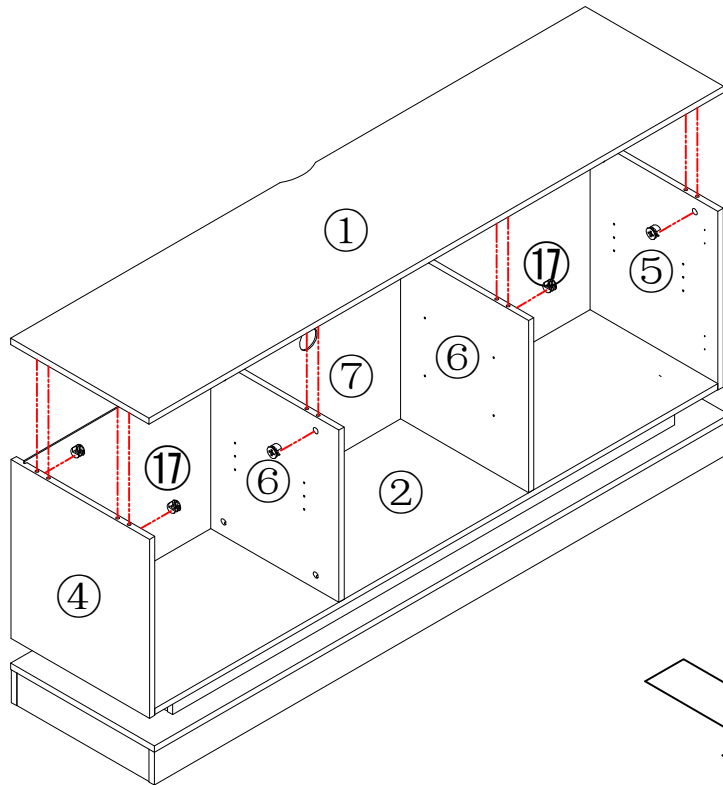
E*14

Put B on board ⑮⑯



B*4

Put B on board ⑥

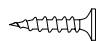
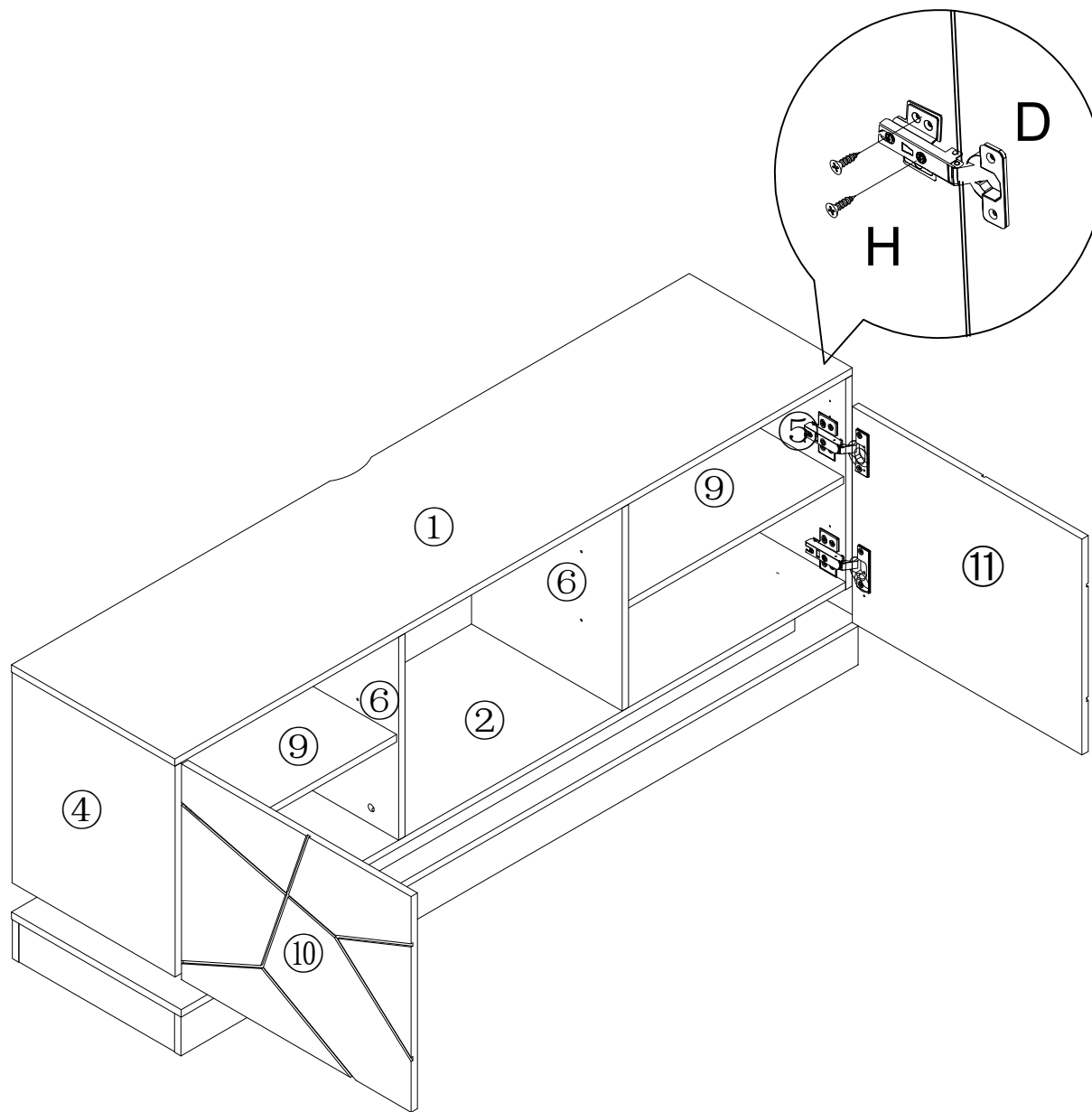


B*8

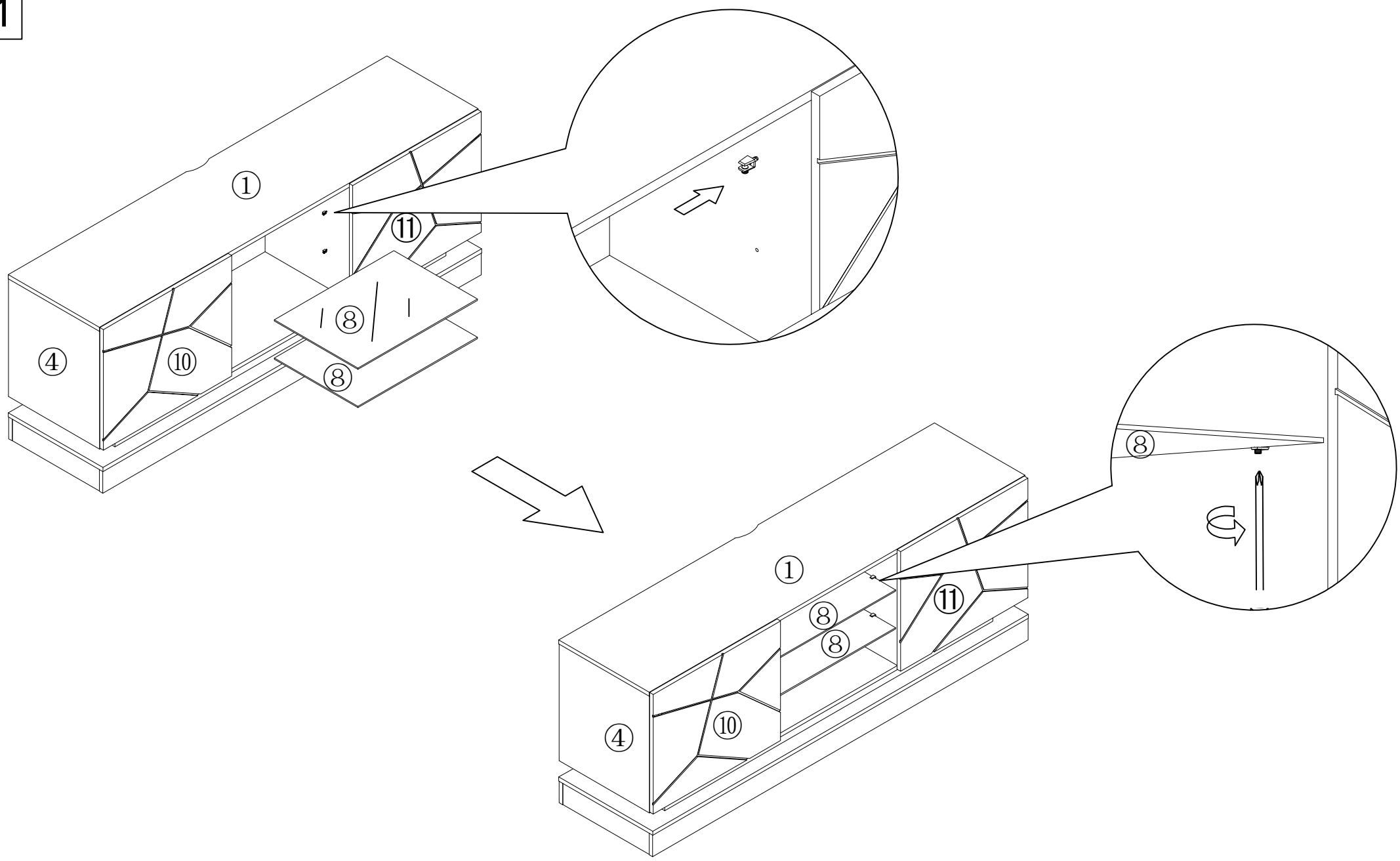


F*8

Put B on board ④⑤⑥

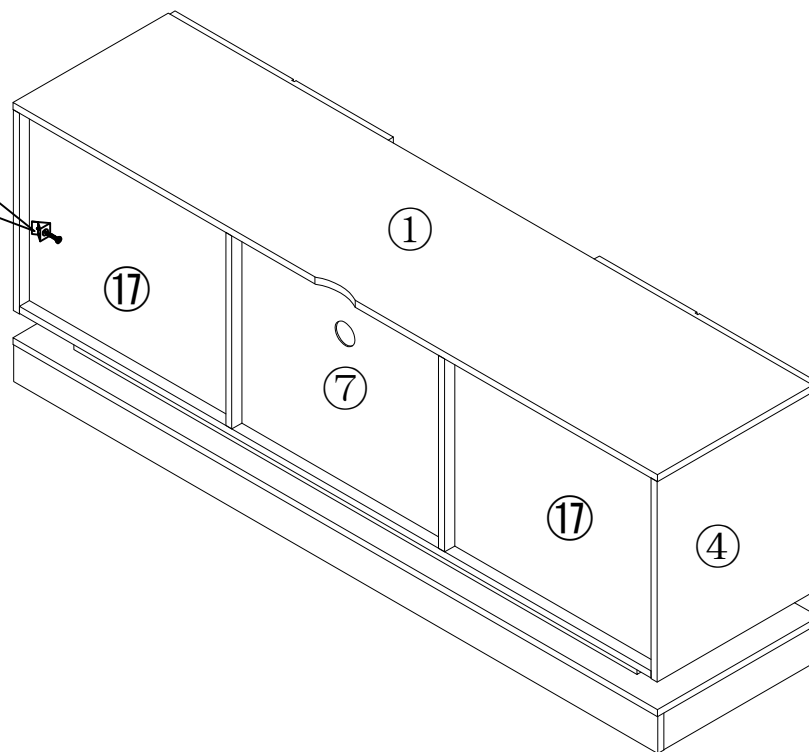
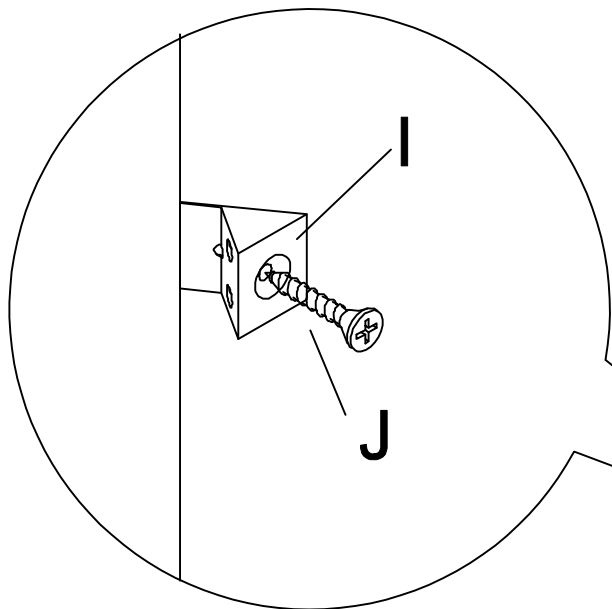


H*16



G*8

12



I*25

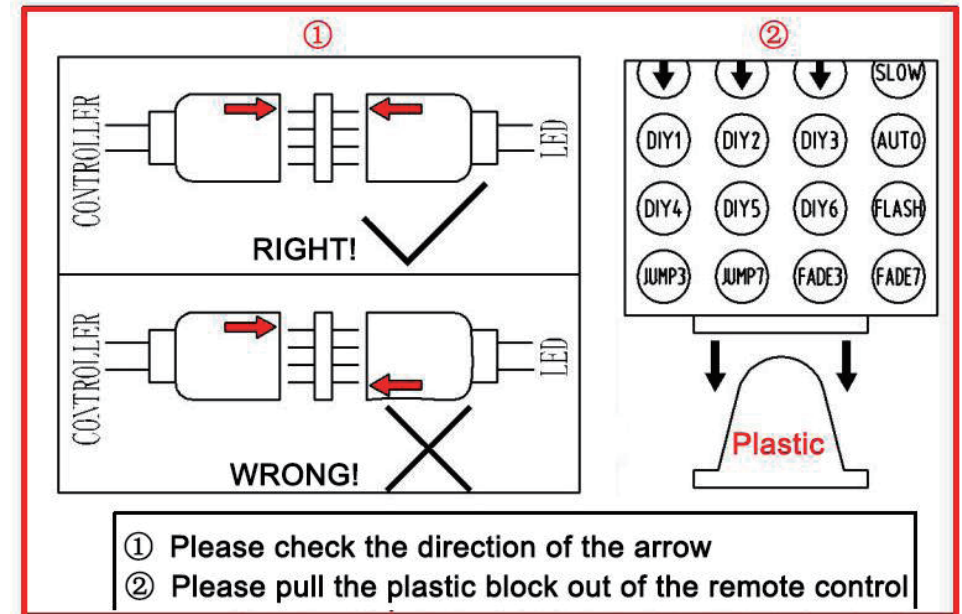


J*25

LED Light

If you can't let the lights work successfully, please check the following:

1. Please check the direction of the connect, try it in the opposite direction, according to the following picture.
2. Please check the remote control, it need you to tear down the plastic septum before use it.
3. Don't let the remote control too far from the receiver, make sure there is no obstruction between them.



END

