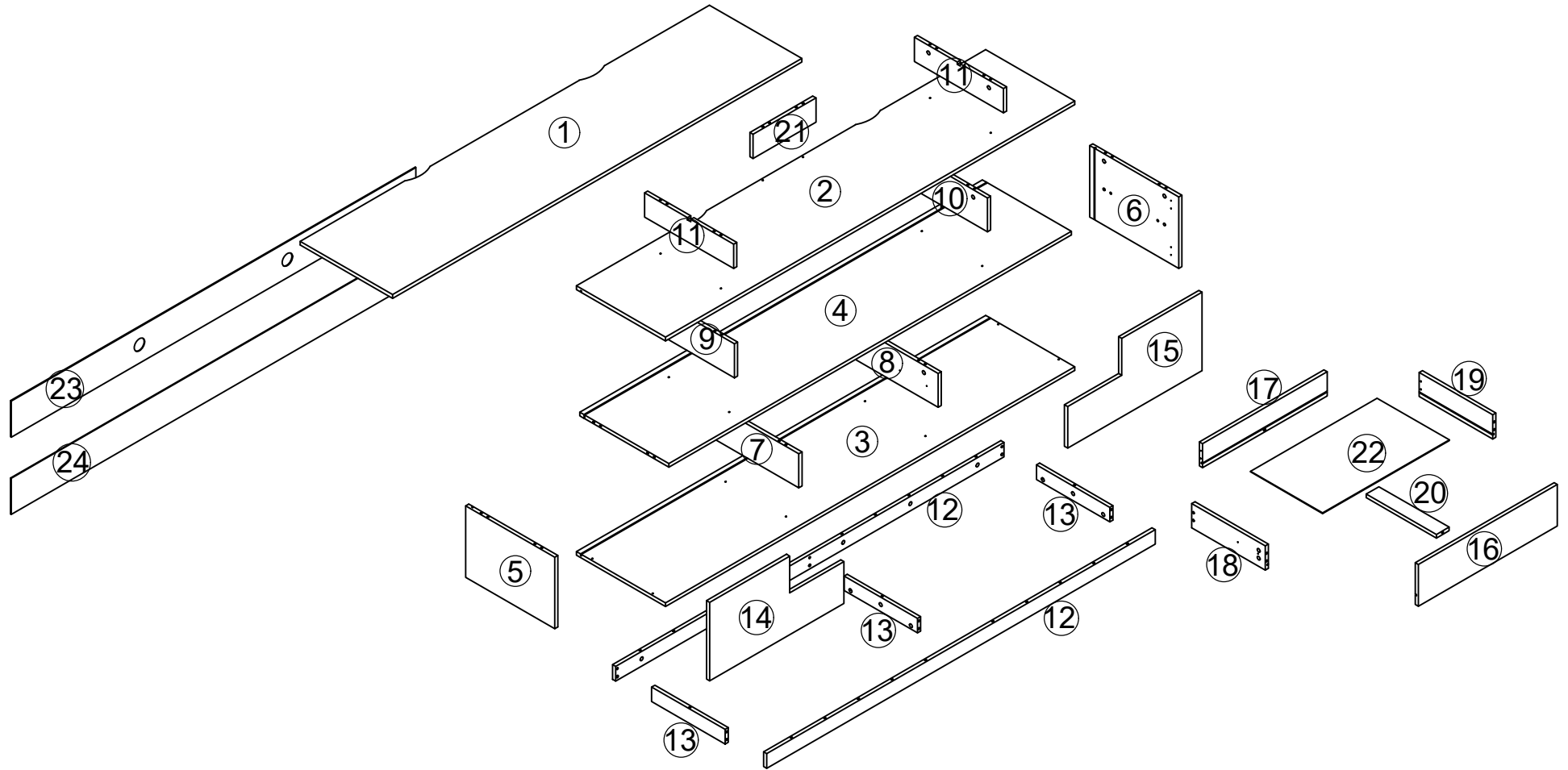
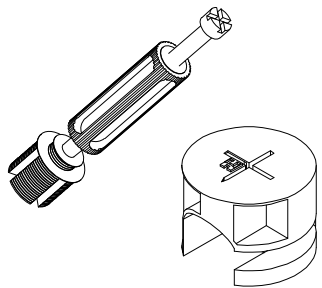


OME2206022

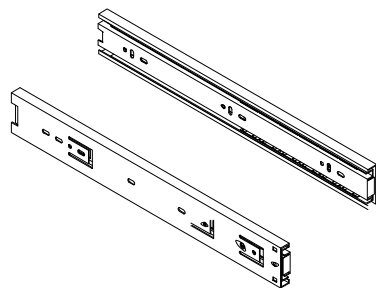
Note: No. 14 15 16 board with protective film. Please tear it off after installation !



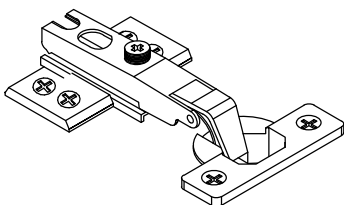
<p>K</p> <p>350mm</p> <p>K1 K2</p> <p>1PCS</p>	<p>L</p> <p>4PCS</p>	<p>M</p> <p>1PCS</p>	<p>LED</p> <p>1PCS</p>						
<p>A</p> <p>49PCS</p>	<p>B</p> <p>49PCS</p>	<p>C</p> <p>8*40</p> <p>36PCS</p>	<p>D</p> <p>3.5*14</p> <p>48PCS</p>	<p>E</p> <p>3.5*35</p> <p>4PCS</p>	<p>F</p> <p>4PCS</p>	<p>G</p> <p>7*50</p> <p>18PCS</p>	<p>H</p> <p>20PCS</p>	<p>I</p> <p>3*12</p> <p>20PCS</p>	<p>J</p> <p>16PCS</p>



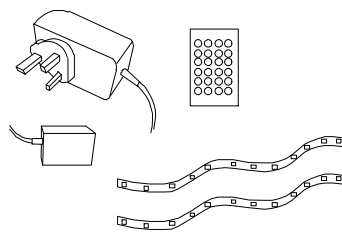
Scan QR code for hardware instructions



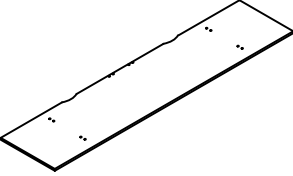
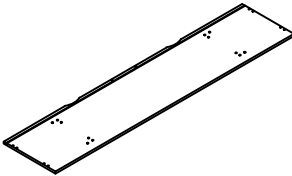
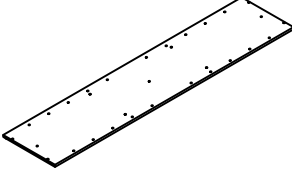
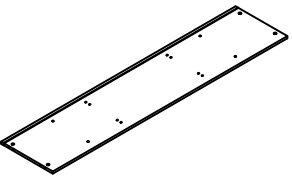
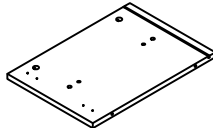
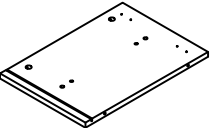
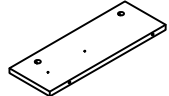
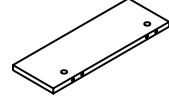
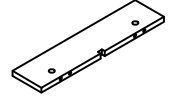
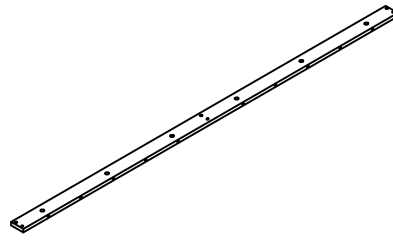
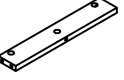
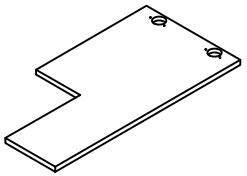
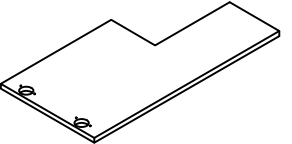
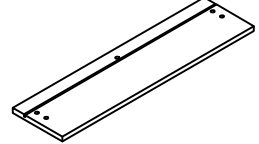
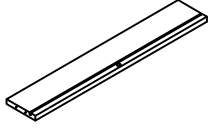
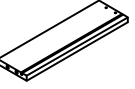
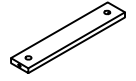
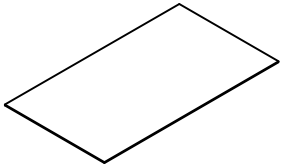
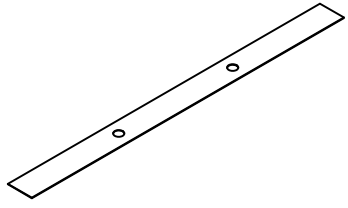
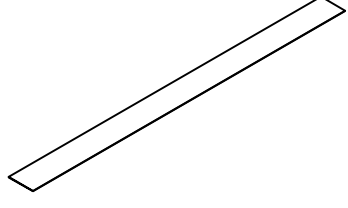
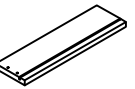
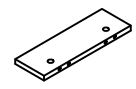
Scan QR code for hardware instructions



Scan QR code for hardware instructions



Scan QR code for hardware instructions

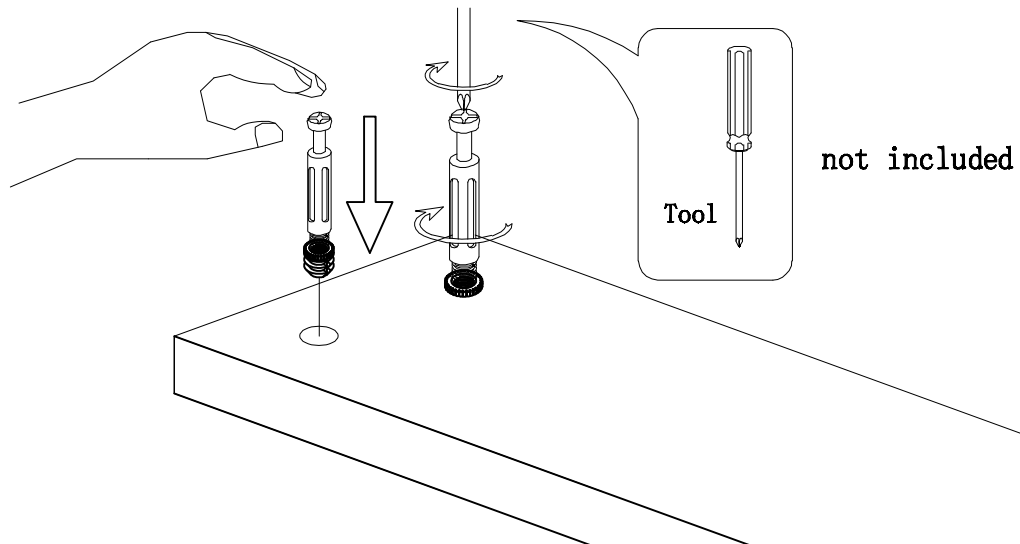
<p>1</p> <p>1950*440 (mm) 76.77*17.32 (inch)</p>  <p>1PCS</p>	<p>2</p> <p>1950*424 (mm) 76.77*16.69 (inch)</p>  <p>1PCS</p>	<p>3</p> <p>1950*424 (mm) 76.77*16.69 (inch)</p>  <p>1PCS</p>	<p>4</p> <p>1918*424 (mm) 75.51*16.69 (inch)</p>  <p>1PCS</p>	<p>5</p> <p>295*424 (mm) 11.61*16.69 (inch)</p>  <p>1PCS</p>
<p>6</p> <p>295*424 (mm) 11.61*16.69 (inch)</p>  <p>1PCS</p>	<p>7</p> <p>140*400 (mm) 5.51*15.75 (inch)</p>  <p>1PCS</p>	<p>9</p> <p>140*400 (mm) 5.51*15.75 (inch)</p>  <p>1PCS</p>	<p>11</p> <p>100*424 (mm) 3.94*16.69 (inch)</p>  <p>2PCS</p>	<p>12</p> <p>1850*60 (mm) 72.83*2.36 (inch)</p>  <p>2PCS</p>
<p>13</p> <p>350*60 (mm) 13.78*2.36 (inch)</p>  <p>3PCS</p>	<p>14</p> <p>640*324 (mm) 25.2*12.76 (inch)</p>  <p>1PCS</p>	<p>15</p> <p>640*324 (mm) 25.2*12.76 (inch)</p>  <p>1PCS</p>	<p>16</p> <p>662*172 (mm) 26.06*6.77 (inch)</p>  <p>1PCS</p>	<p>17</p> <p>593*100 (mm) 23.35*3.94 (inch)</p>  <p>1PCS</p>
<p>18</p> <p>350*100 (mm) 13.78*3.94 (inch)</p>  <p>1PCS</p>	<p>20</p> <p>334*60 (mm) 13.15*2.36 (inch)</p>  <p>1PCS</p>	<p>22</p> <p>603*344 (mm) 23.74*13.54 (inch)</p>  <p>1PCS</p>	<p>23</p> <p>1928*149 (mm) 75.91*5.87 (inch)</p>  <p>1PCS</p>	<p>24</p> <p>1928*149 (mm) 75.91*5.87 (inch)</p>  <p>1PCS</p>
<p>19</p> <p>350*100 (mm) 13.78*3.94 (inch)</p>  <p>1PCS</p>	<p>21</p> <p>100*300 (mm) 3.94*11.81 (inch)</p>  <p>1PCS</p>			



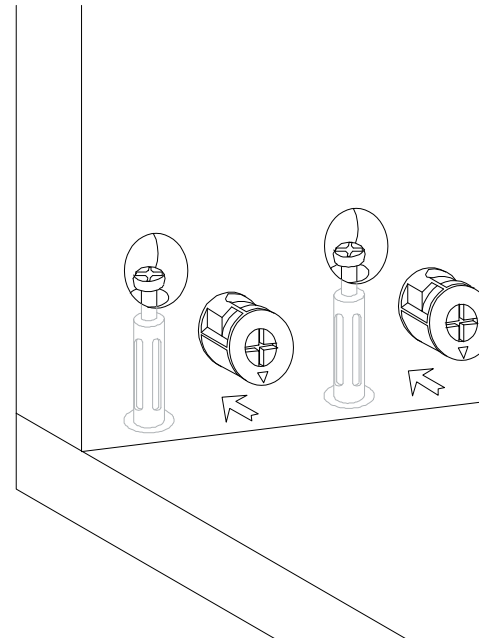
## Hardware installation demonstration

NOTE: Please make sure "A" hardware tightened and can't be pulled out!

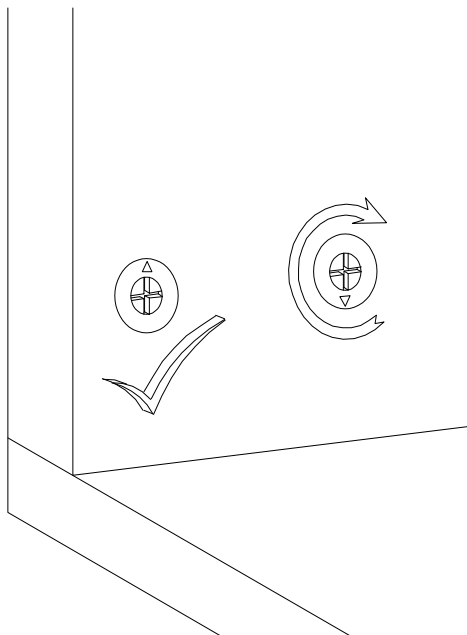
I



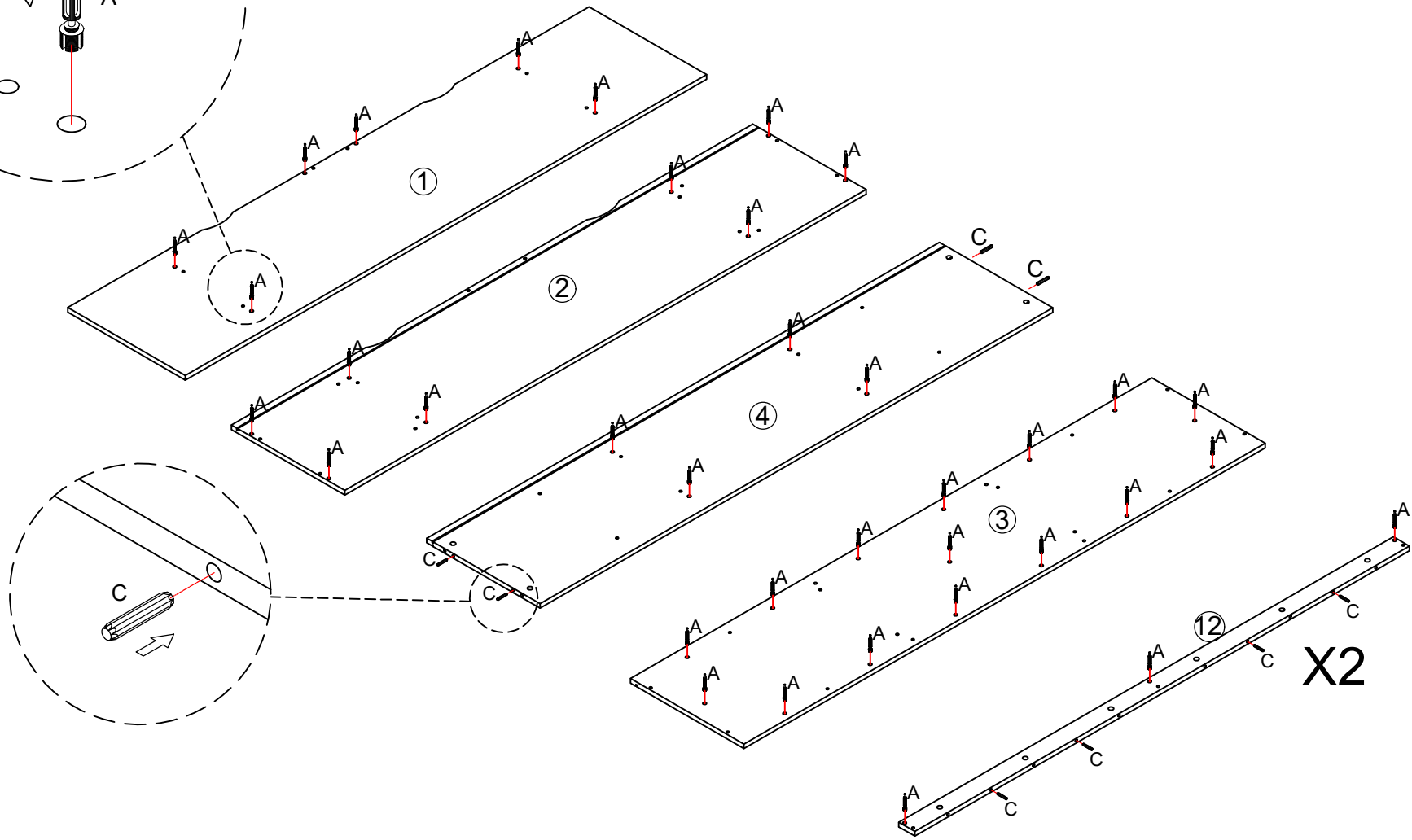
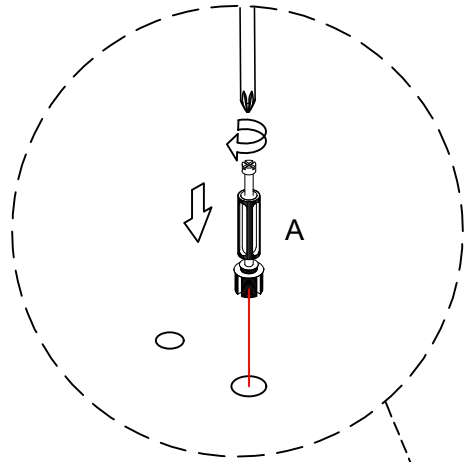
II




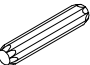
III



1

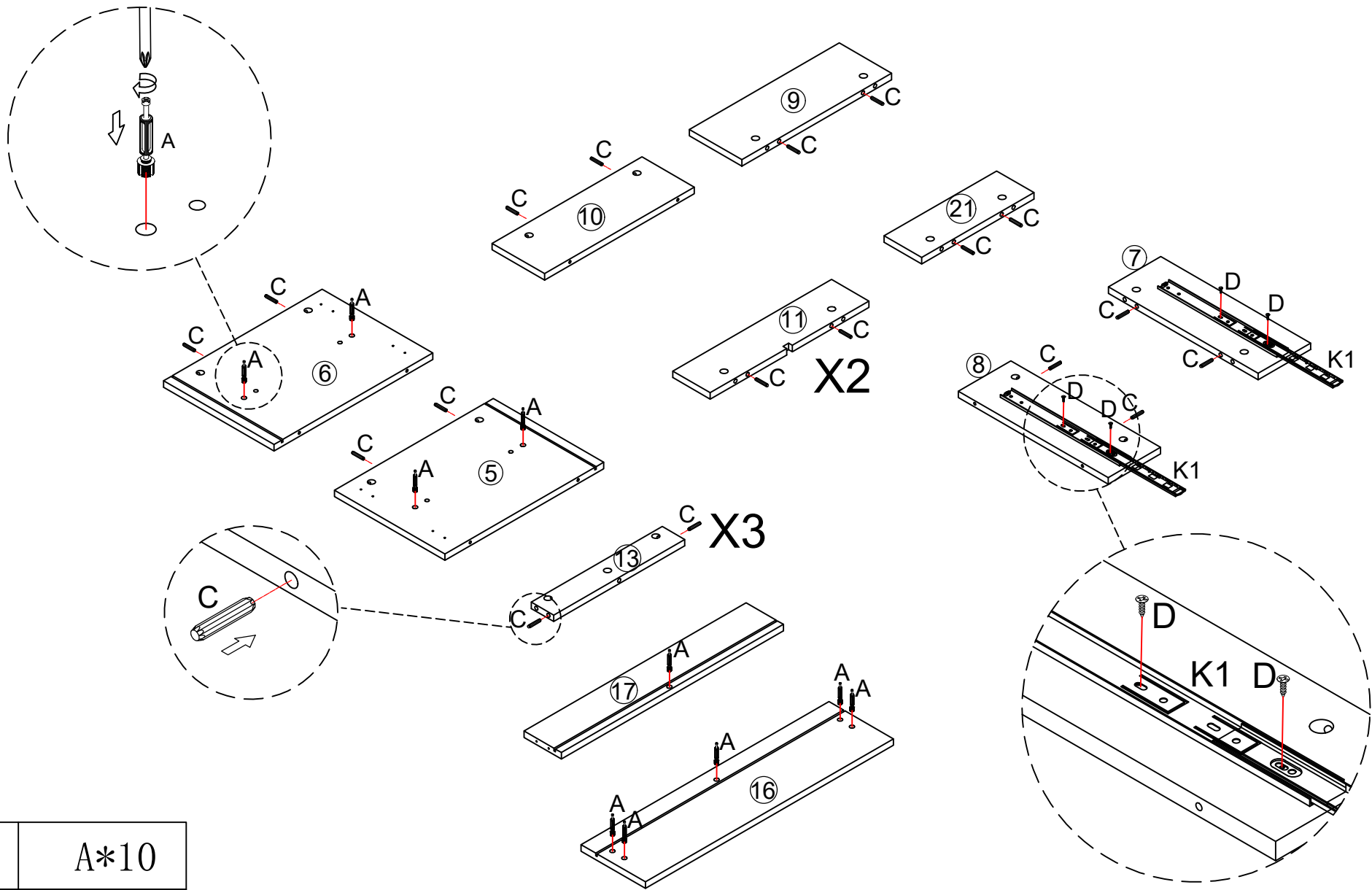



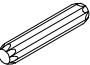


X2

	A*39
	C*12

put A on board ① ② ③ ④ ⑫  
put C on board ④ ⑫

2

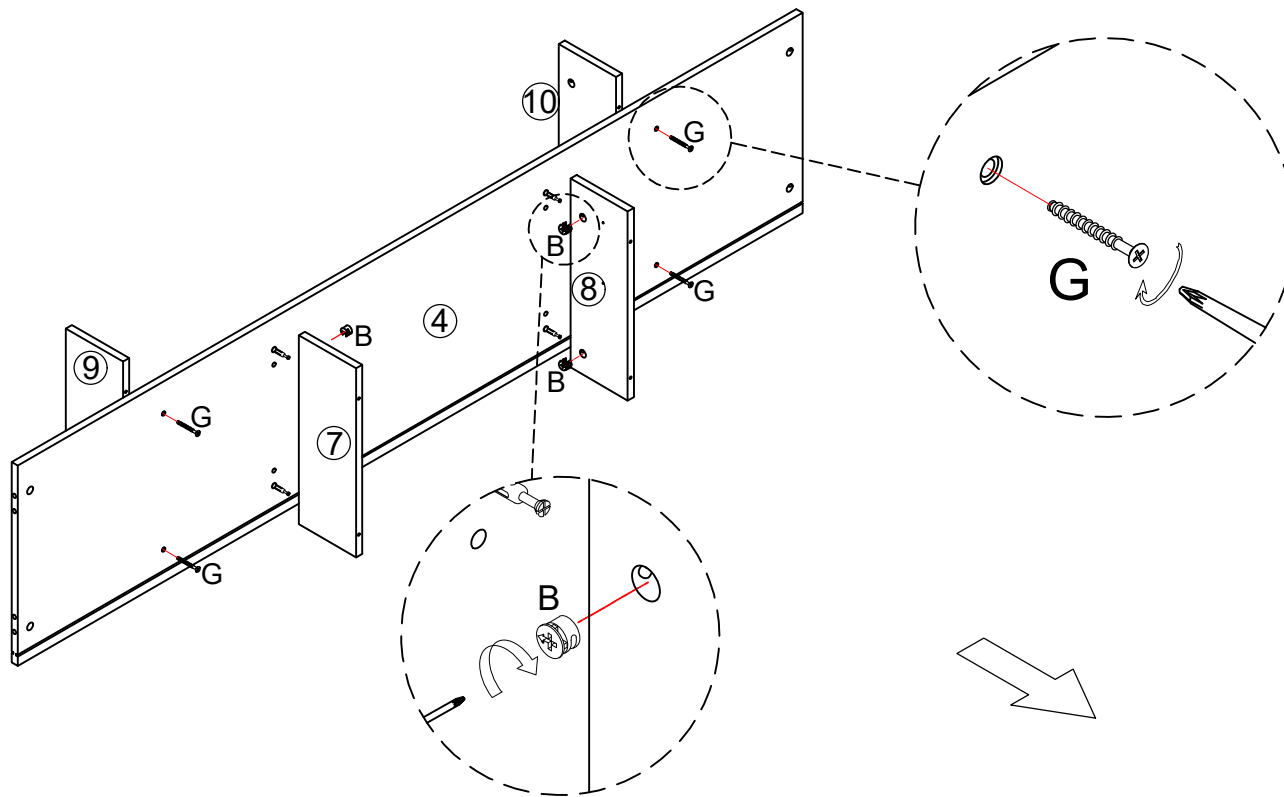


	A*10
	C*24
	D*4
	K1*2

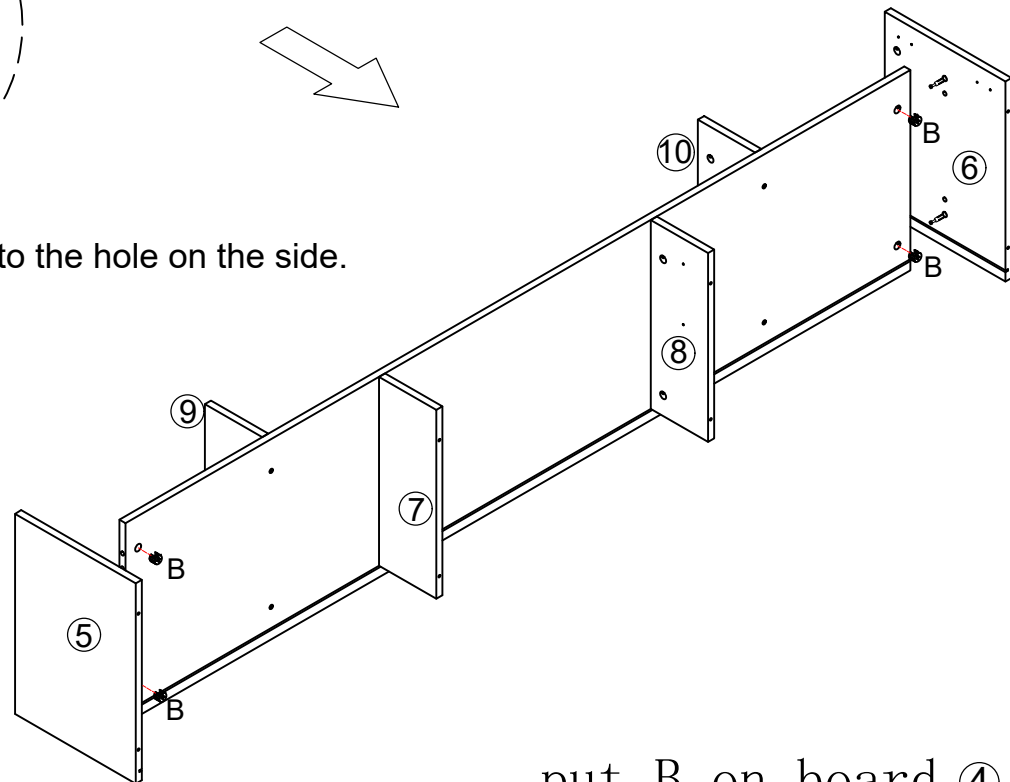
put A on board ⑤ ⑥ ⑬ ⑭

put C on board ⑤ ⑥ ⑦ ⑧ ⑨ ⑩ ⑪ ⑬ ⑰

3



Make sure the arrow on the screw align to the hole on the side.



put B on board ④ ⑦ ⑧



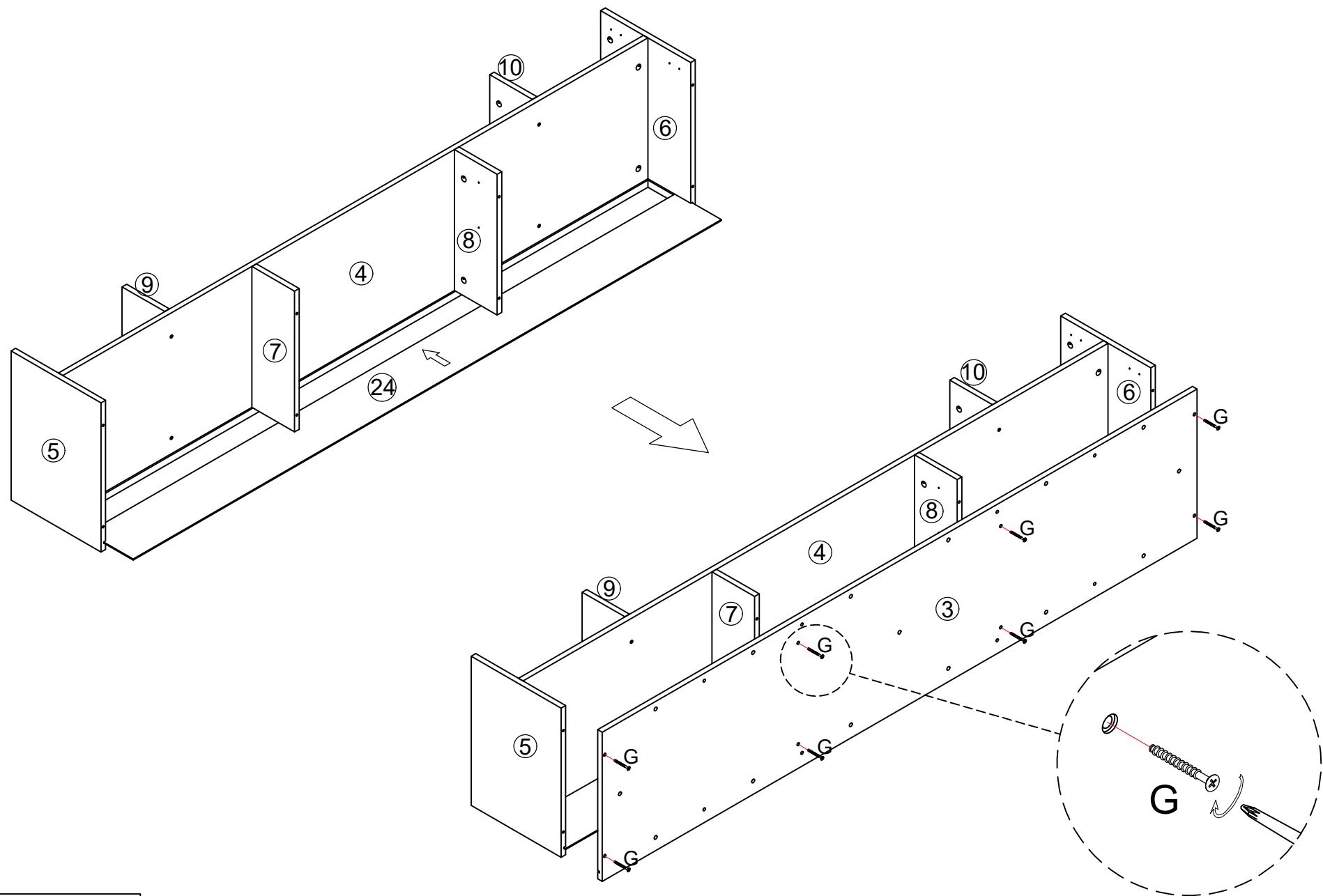
B\*8



G\*4

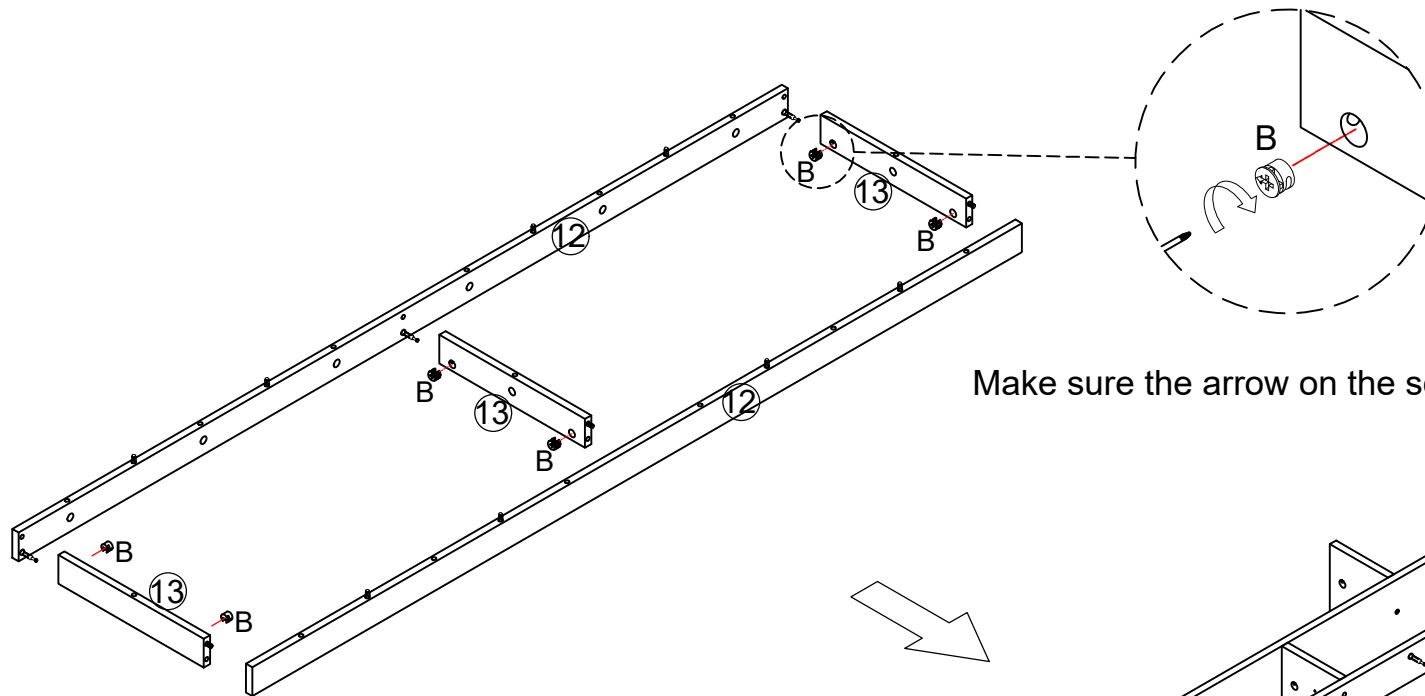


4

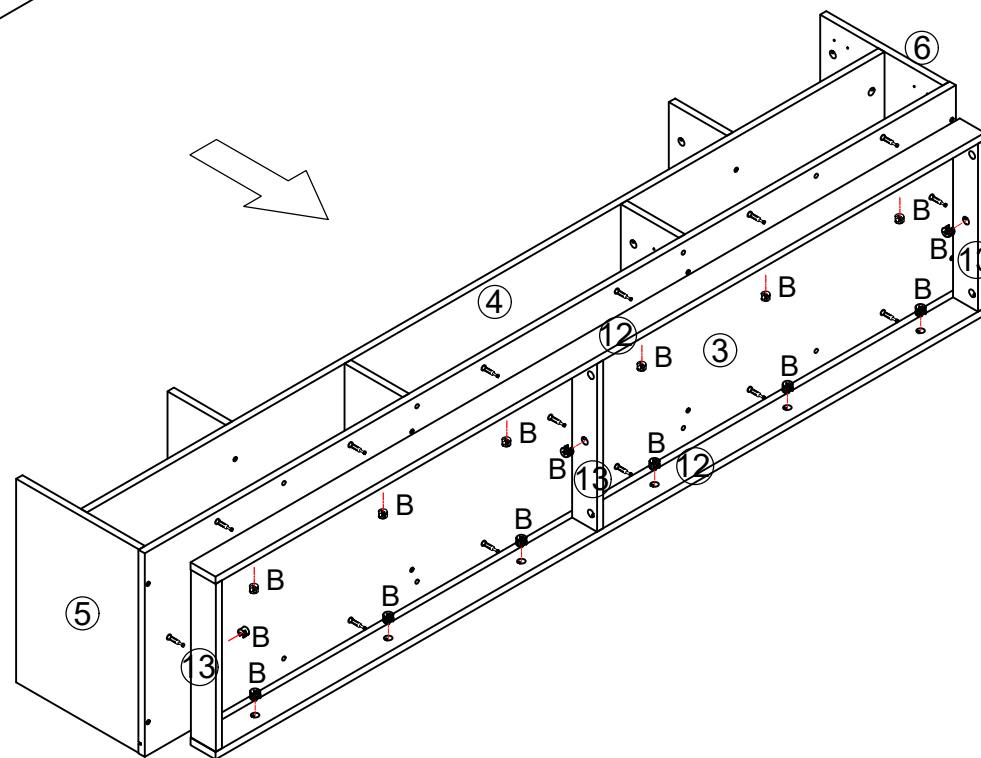


	G*8
--	-----

5



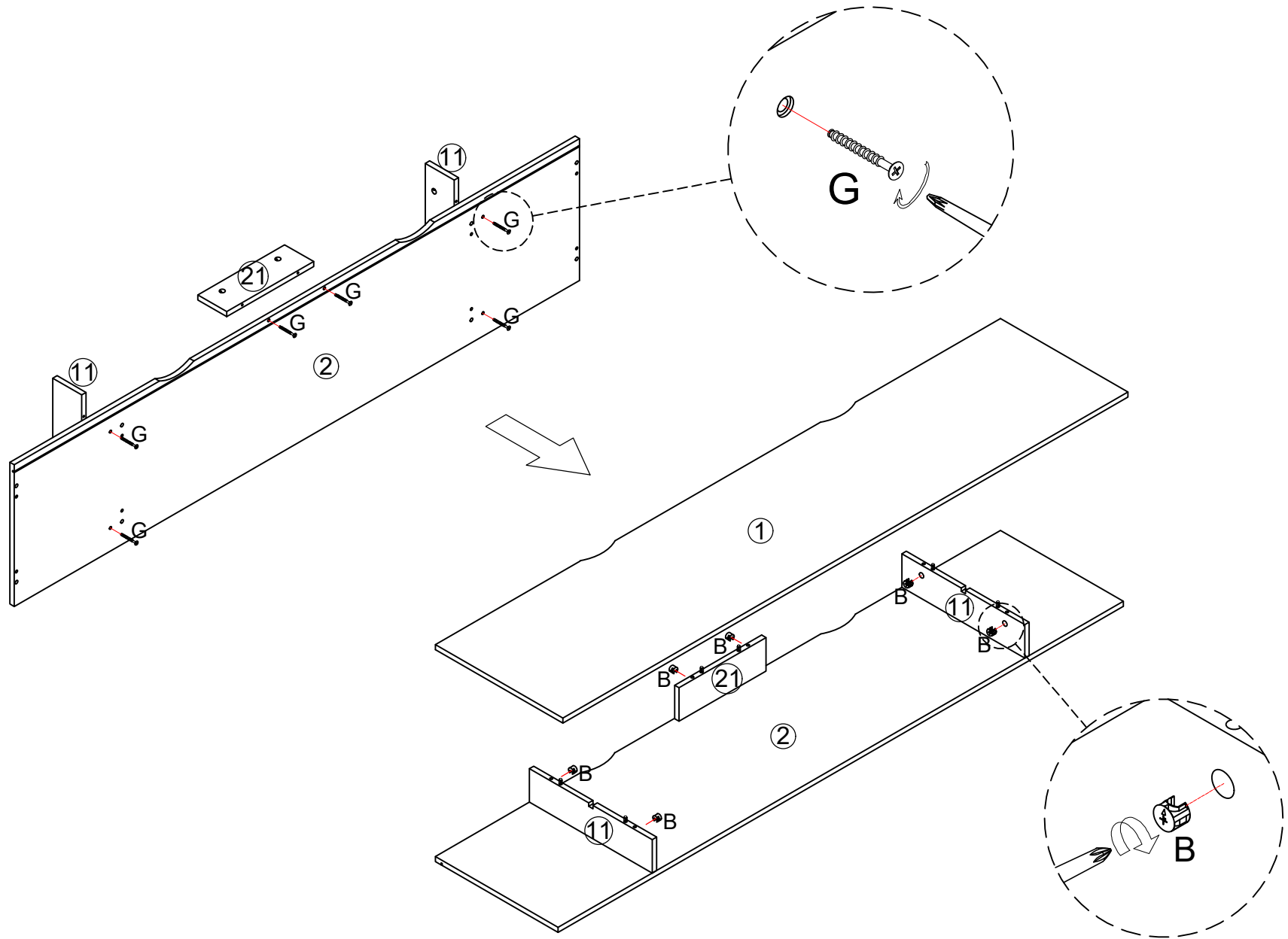
Make sure the arrow on the screw align to the hole on the side.



B\*21

put B on board 12 13

6

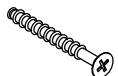


Make sure the arrow on the screw align to the hole on the side.

put B on board 11 21

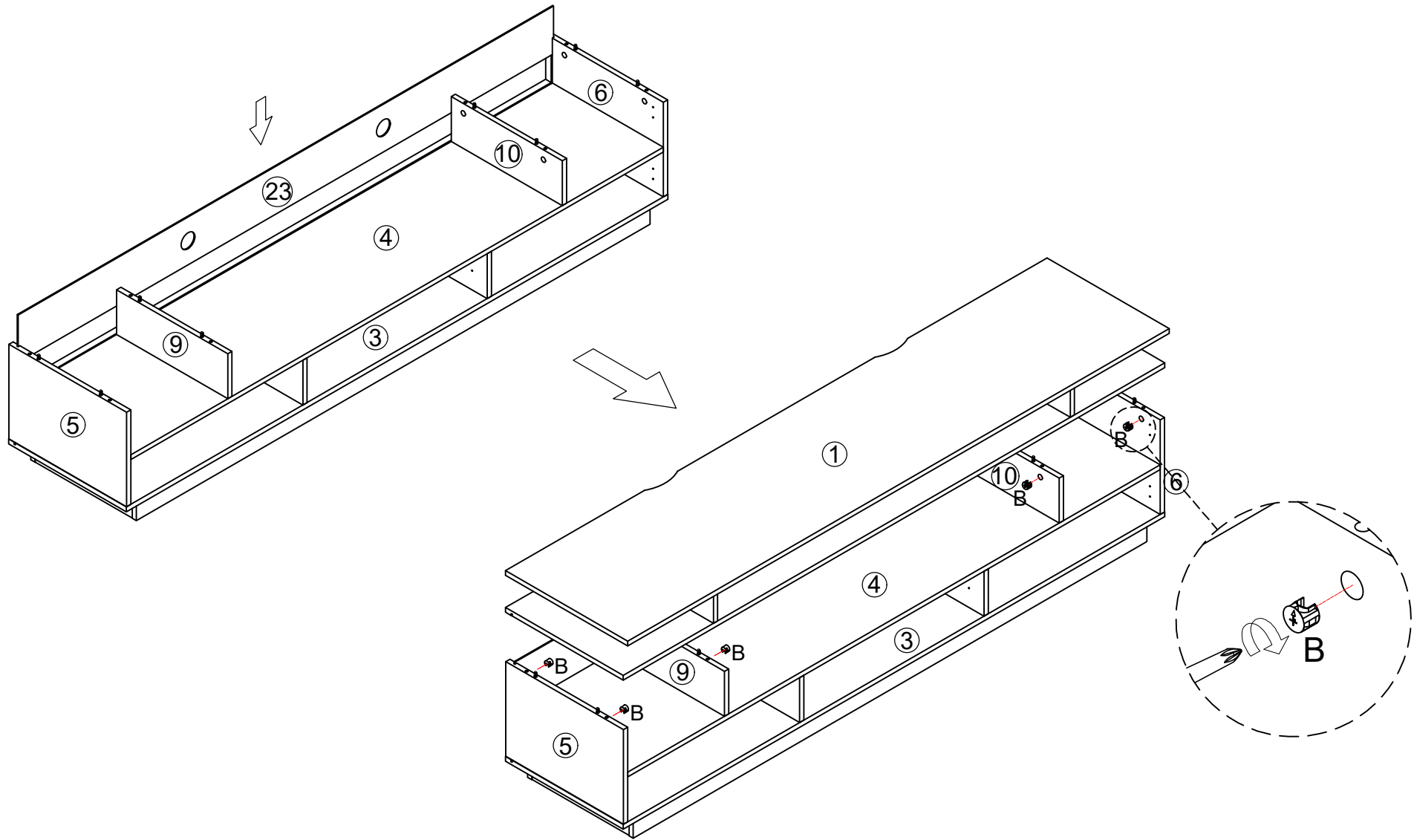


B\*6



G\*6

7



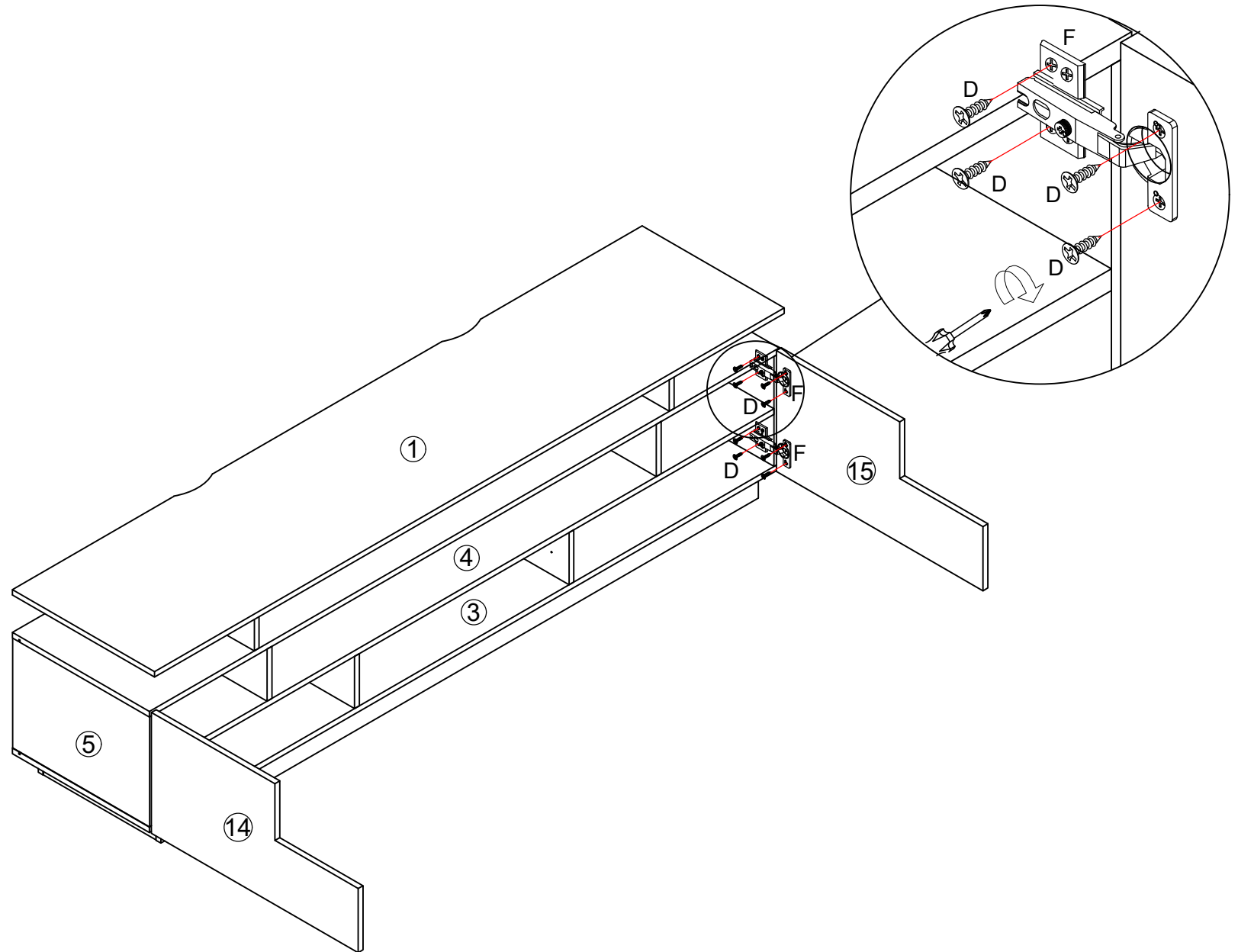
Make sure the arrow on the screw align to the hole on the side.

put B on board ⑤ ⑥ ⑨ ⑩

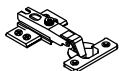


B\*8

8

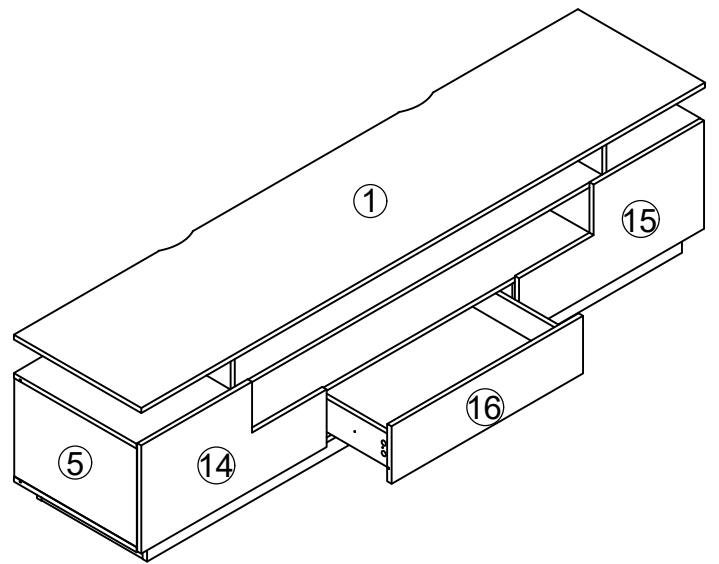
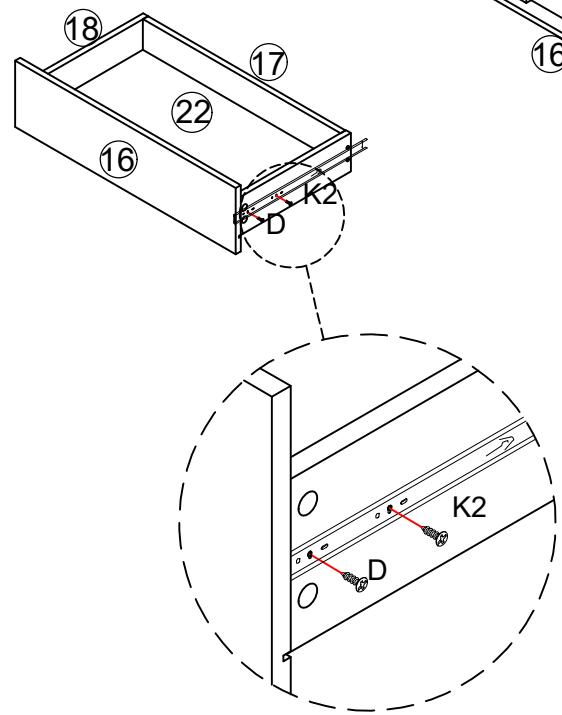
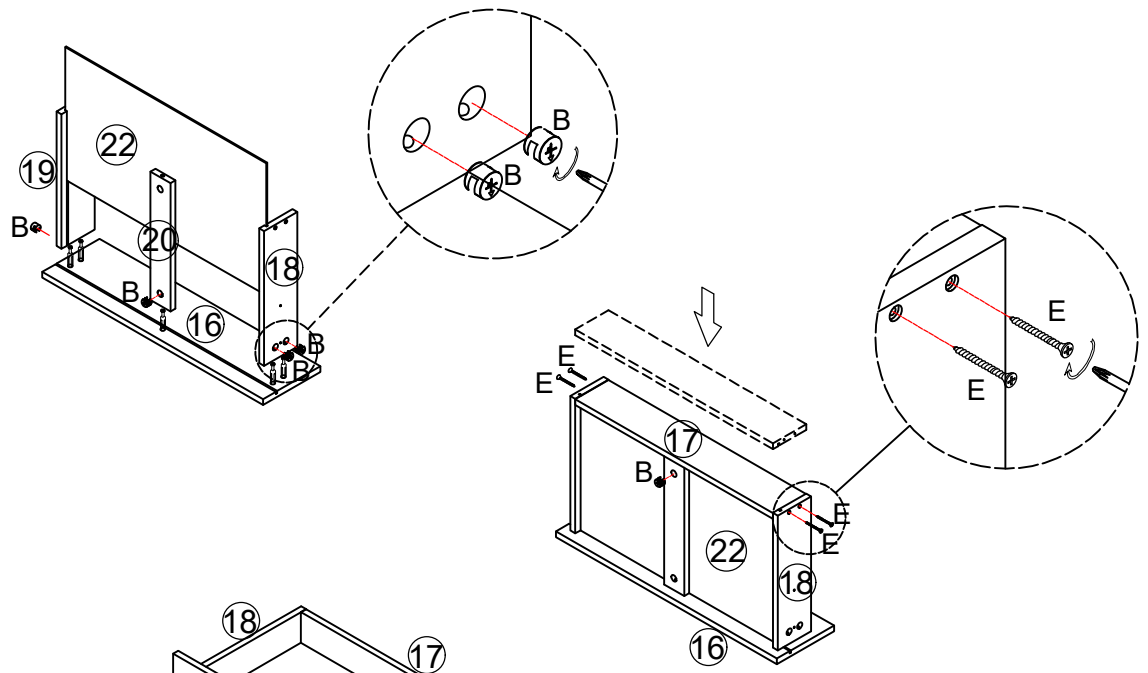




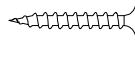

D\*24



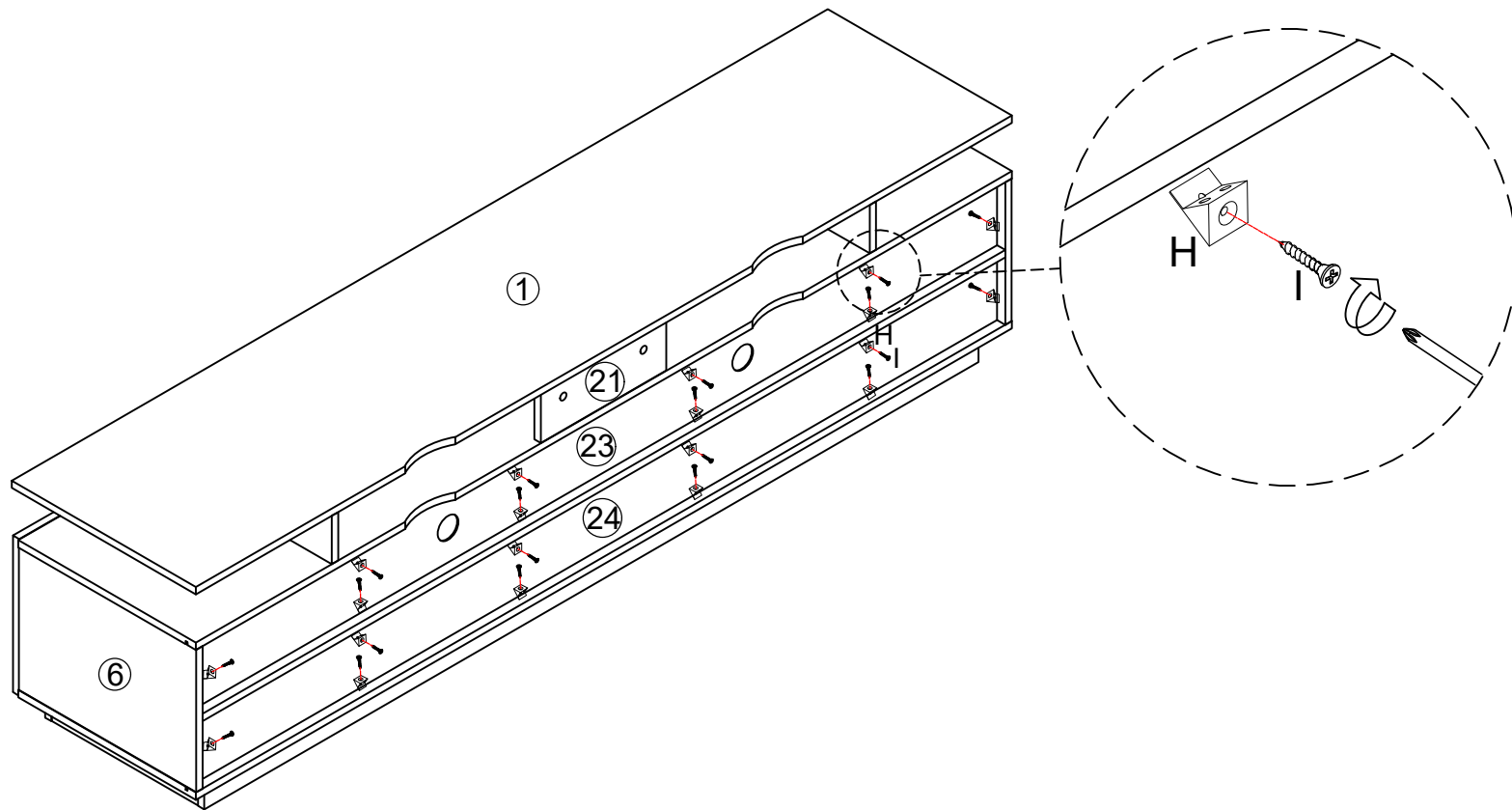
F\*4

9



	B*6
	D*4
	E*4
	K2*2

10

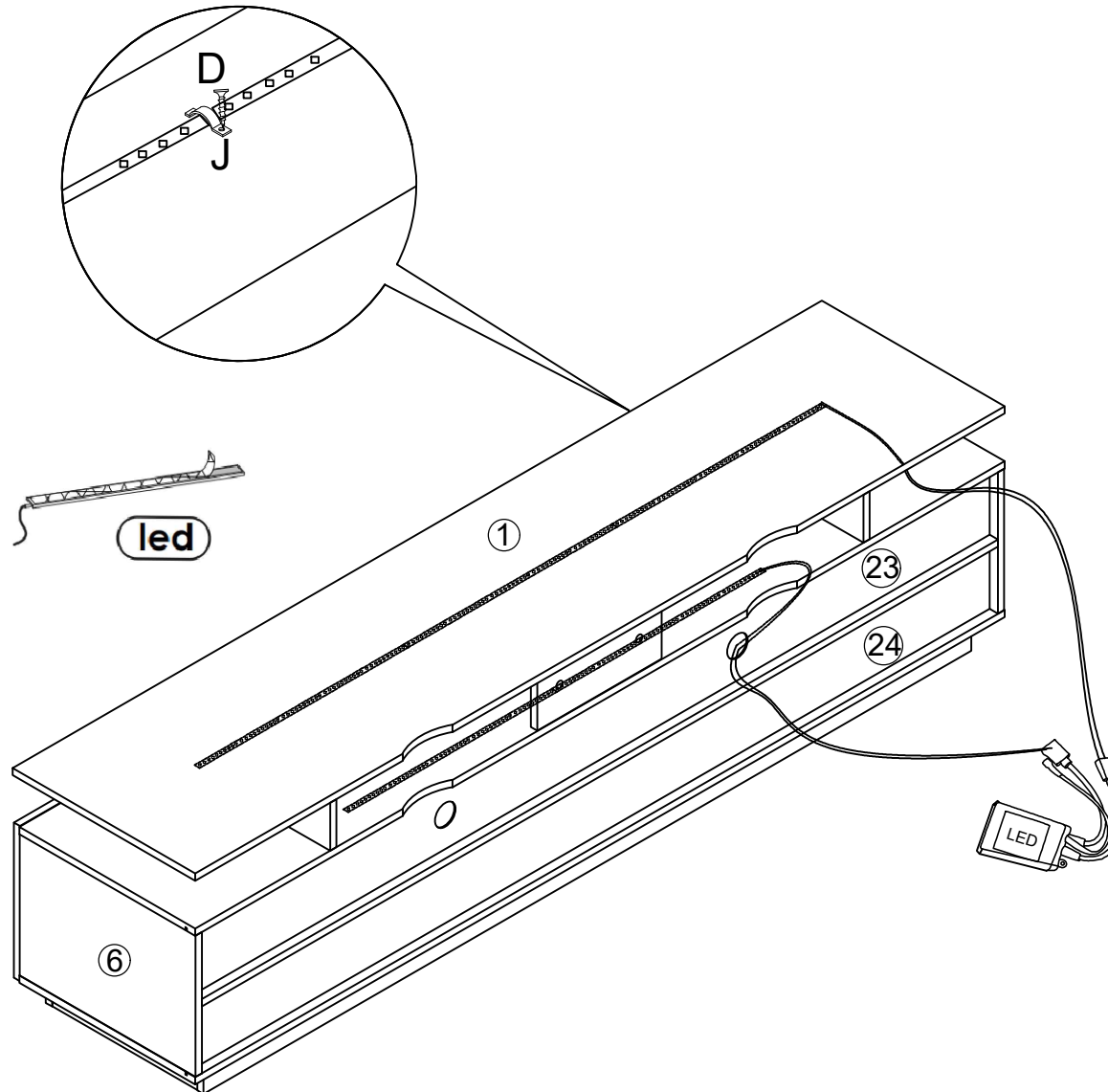


H\*20



I\*20

11



D\*16



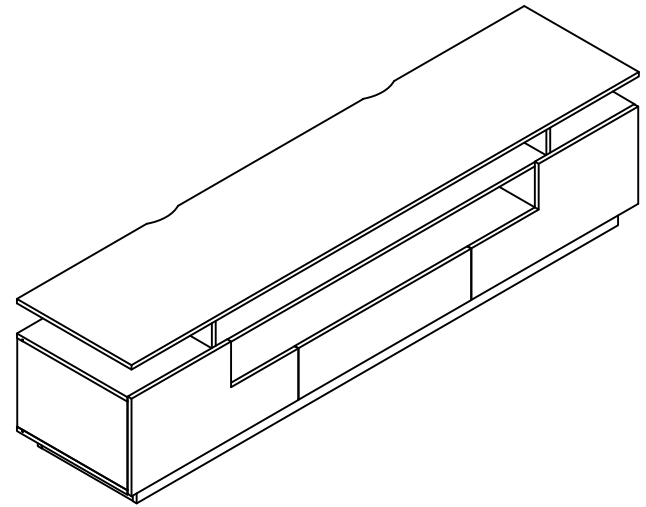
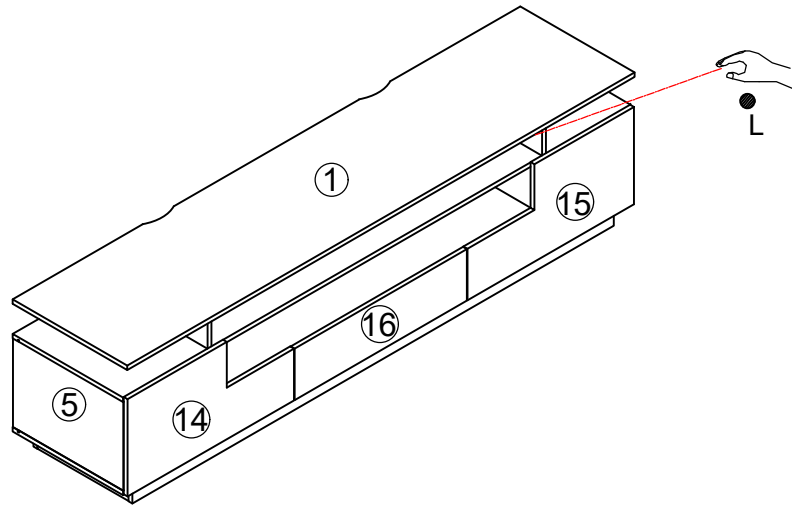
J\*16



LED



12



L\*4

# LED Light

If you can't let the lights work successfully, please check the following:

1. Please check the direction of the connect, try it in the opposite direction, according to the following picture.
2. Please check the remote control, it need you to tear down the plastic septum before use it.
3. Don't let the remote control too far from the receiver, make sure there is no obstruction between them.

