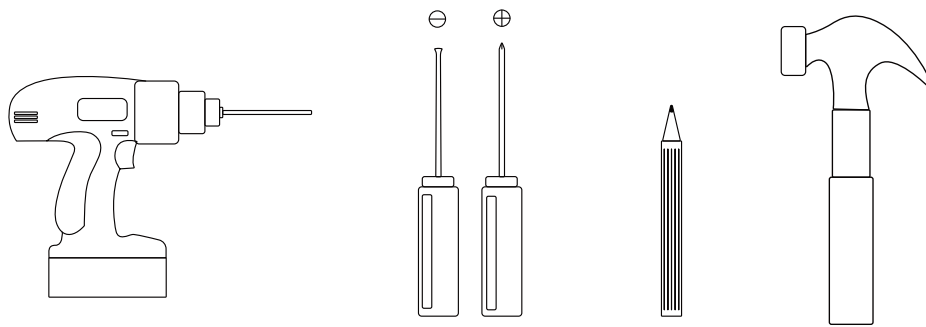
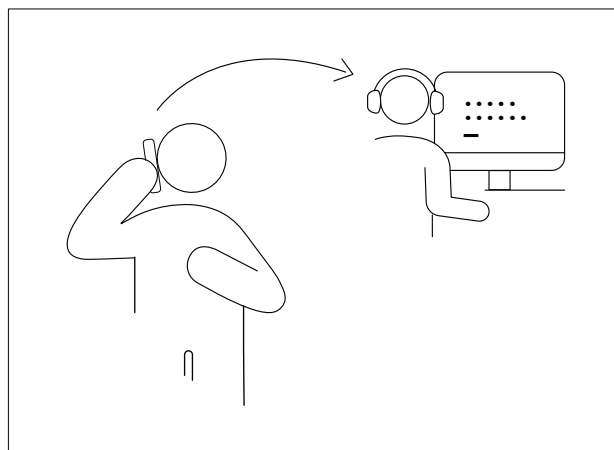
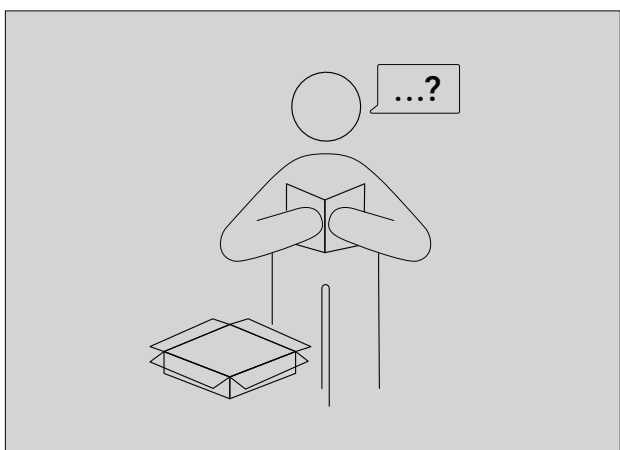
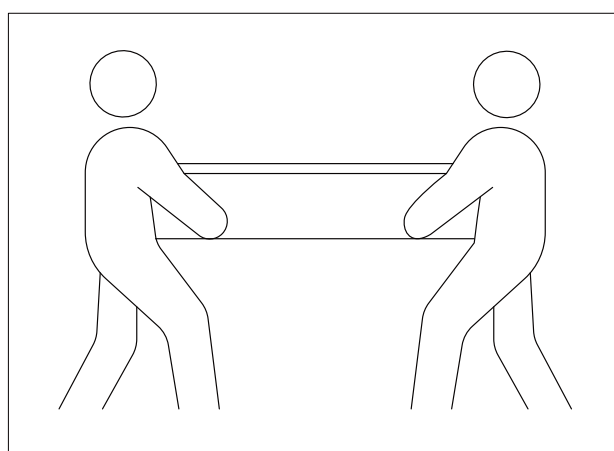
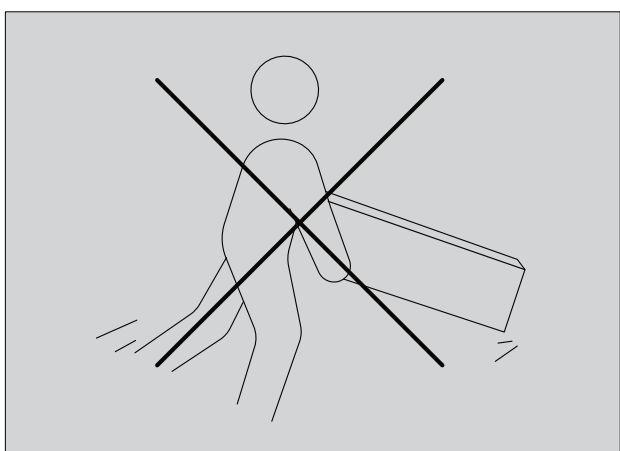
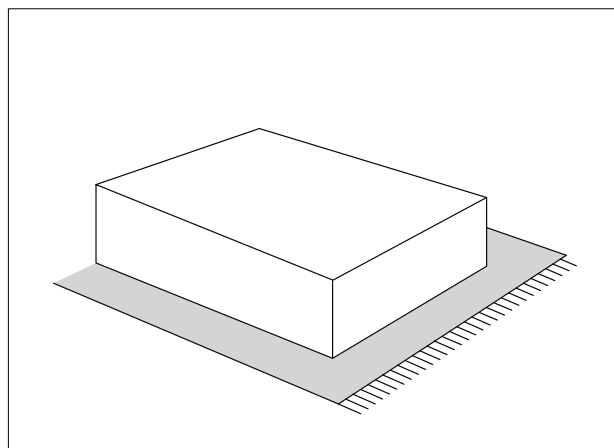
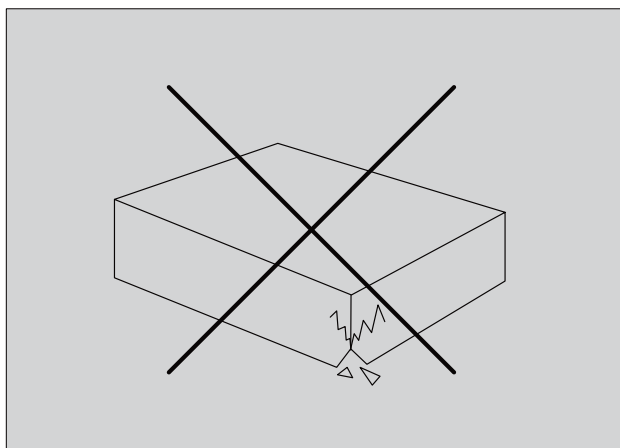


Medicine Cabinet

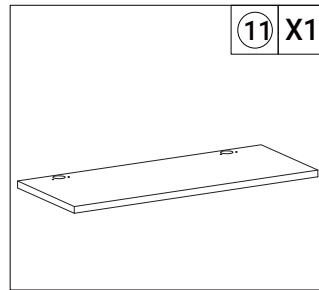
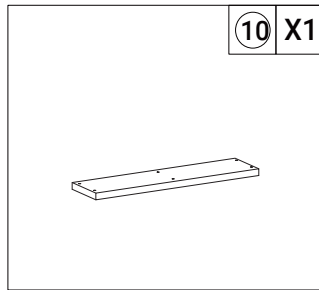
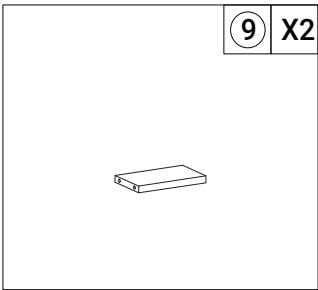
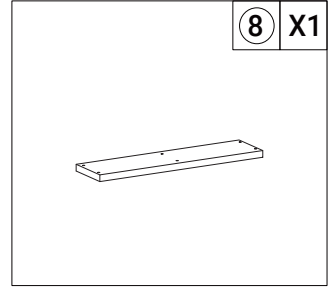
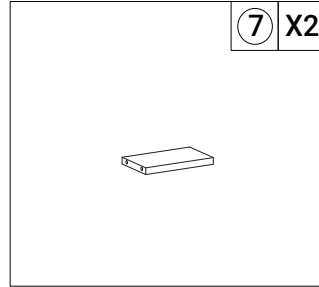
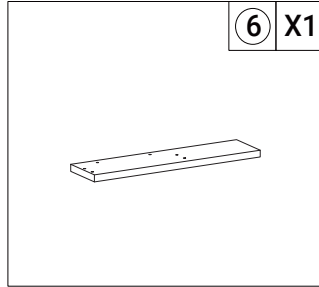
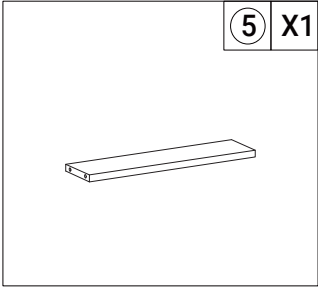
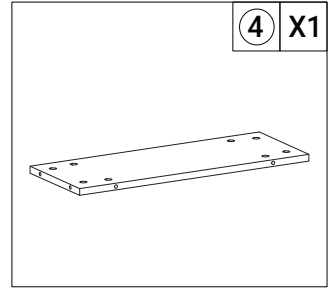
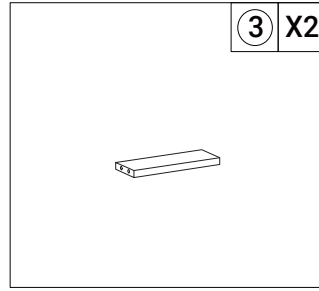
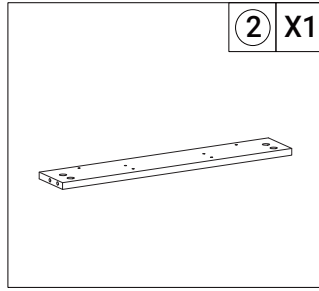
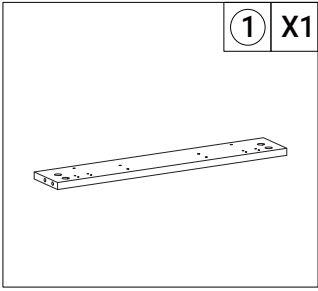
Perfectly designed with simplicity in mind



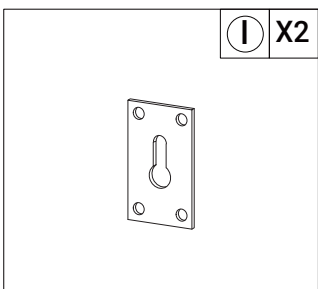
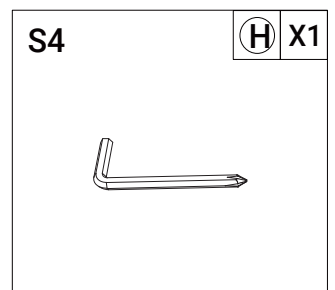
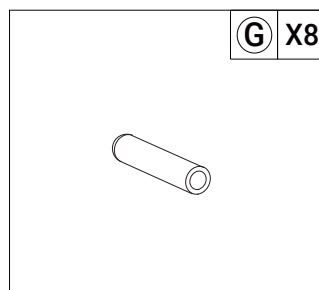
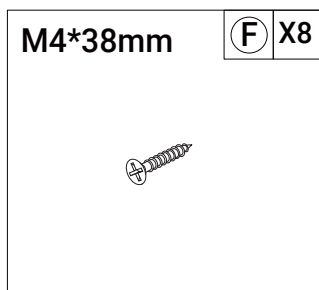
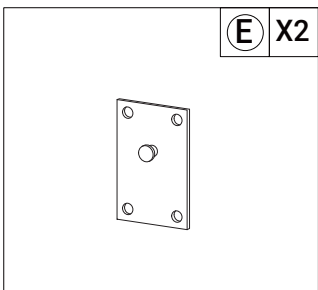
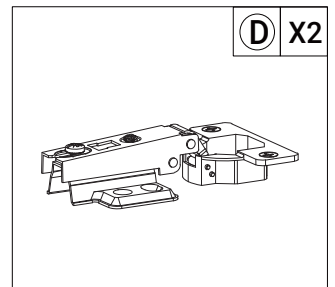
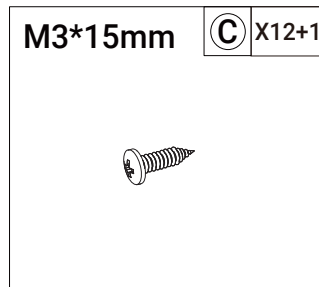
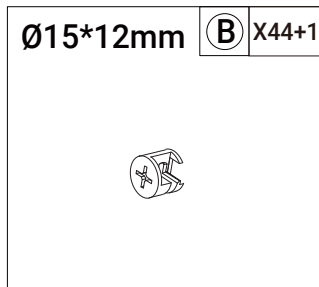
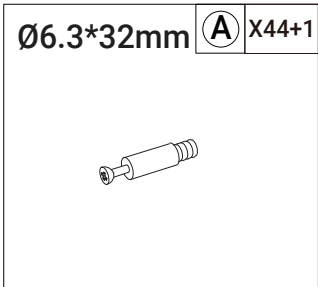
If you have these tools at home to assist you, assembly will be quicker.
If not, no worries, we have included everything required for assembly in the package.

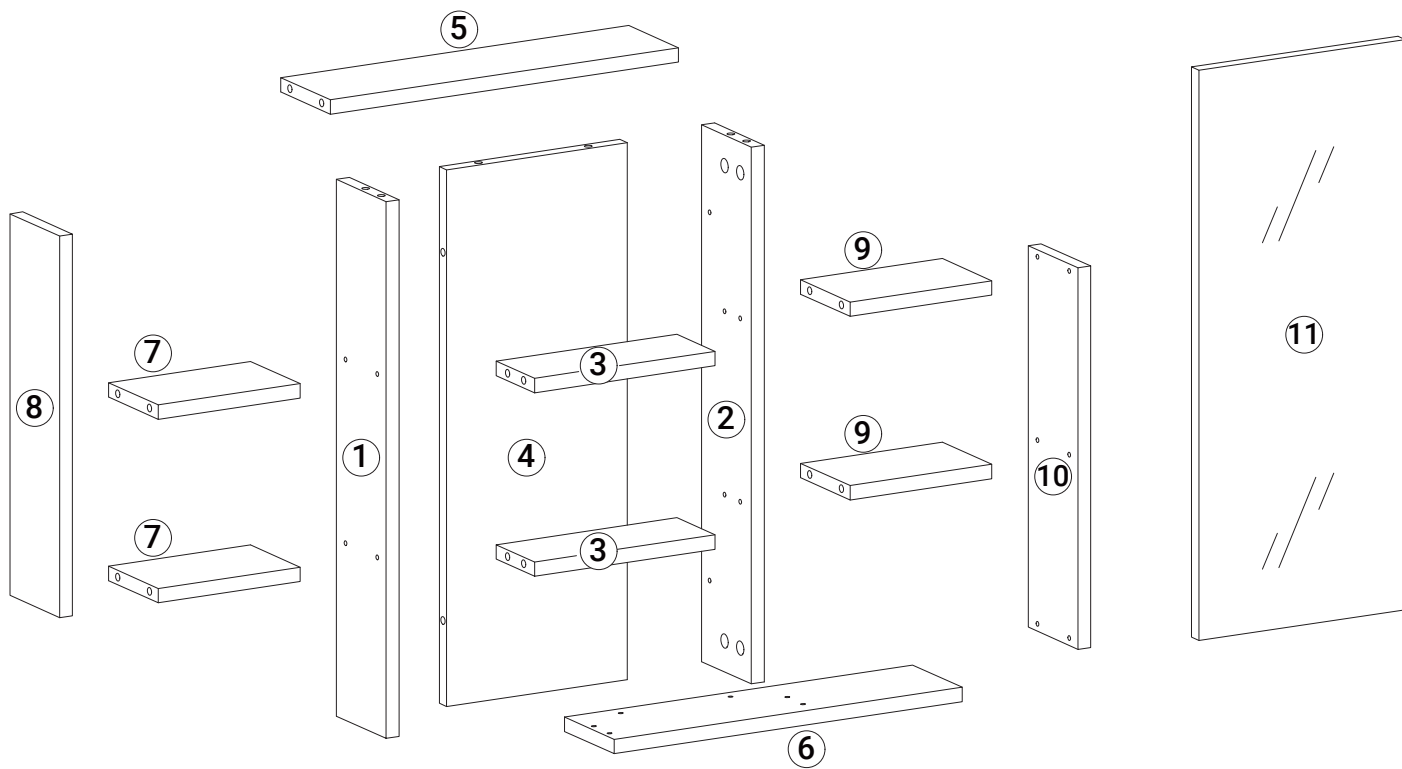


PARTS

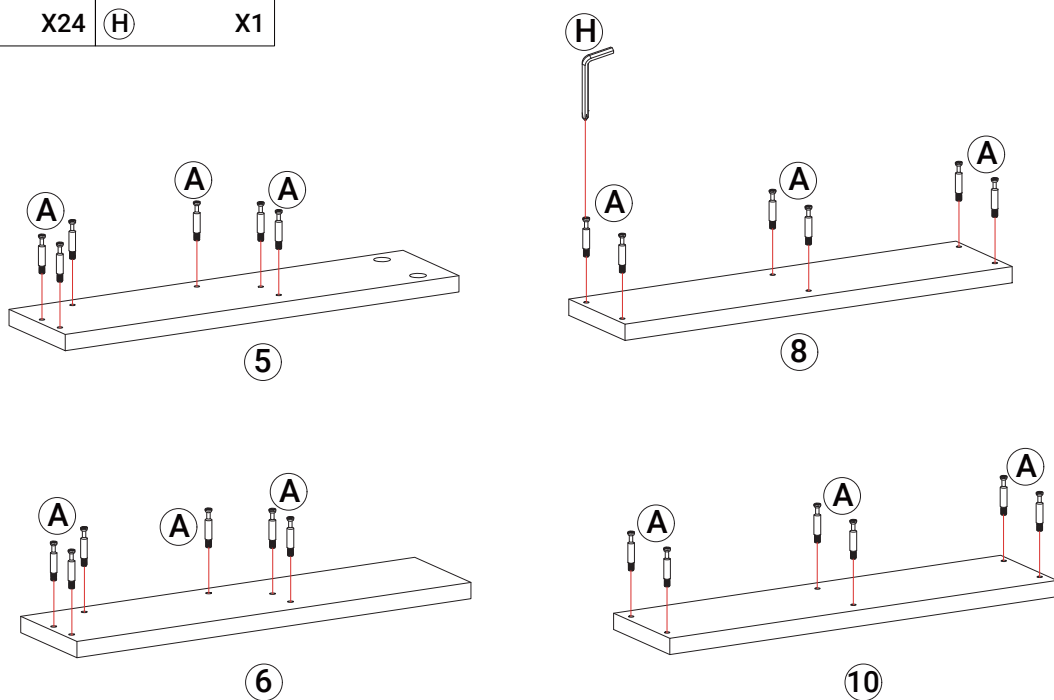
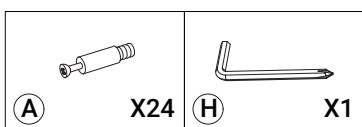


HARDWARE

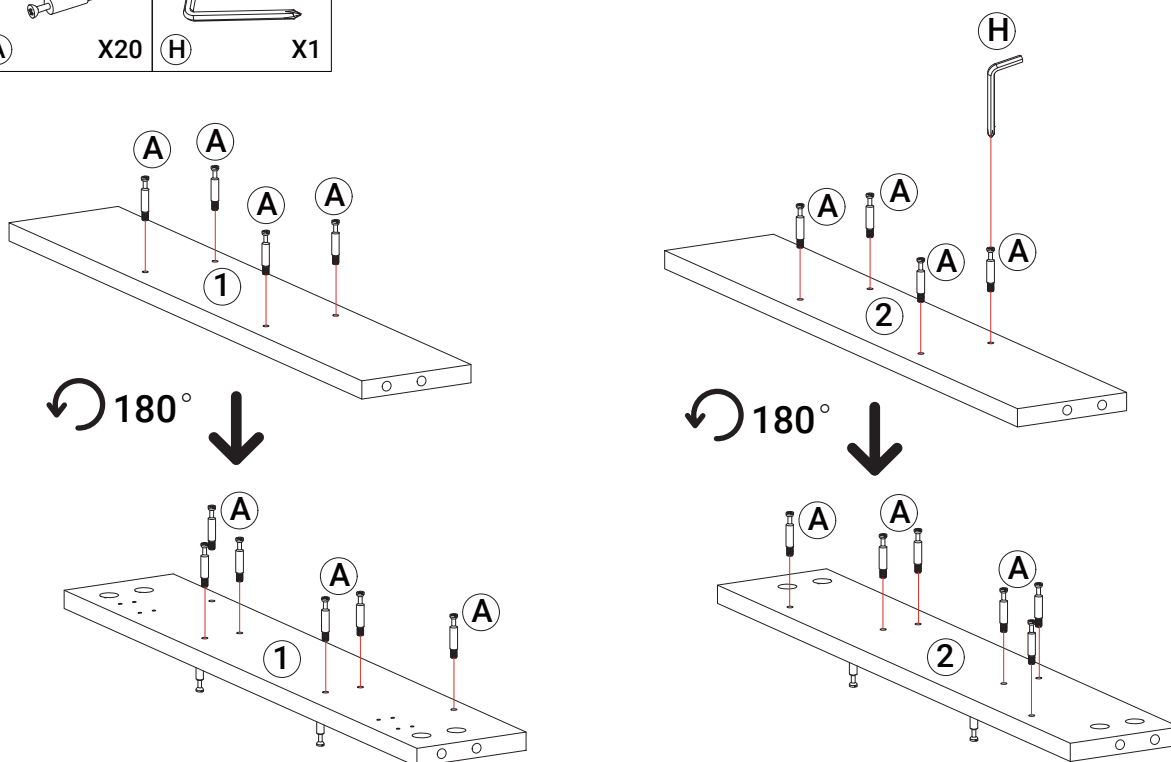
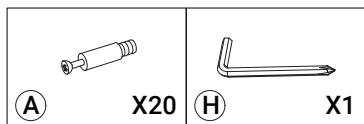




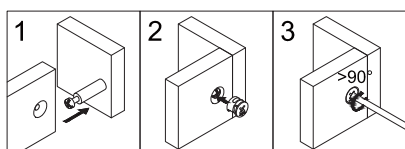
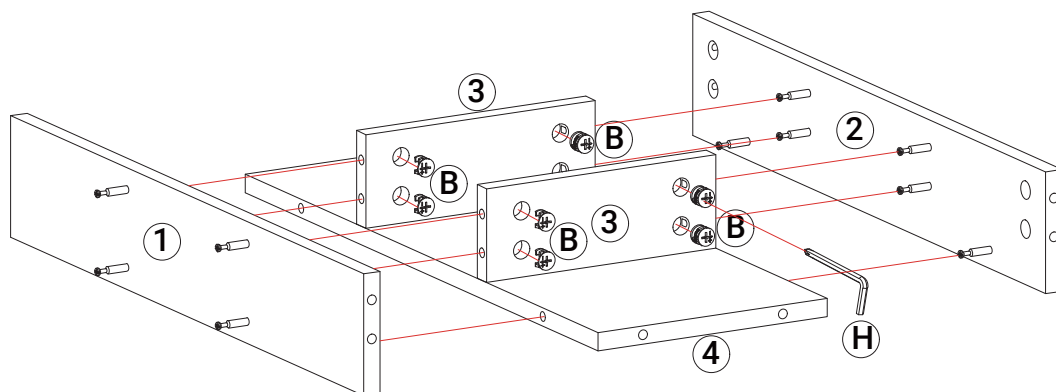
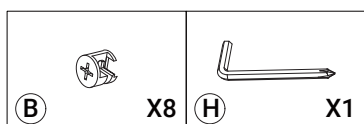
Step 1 | Let's get started. Start by locating the outer frame pieces (5, 6, 8 and 10) and attaching 6 cam bolts (A) to each.



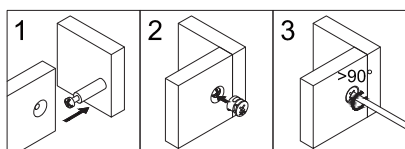
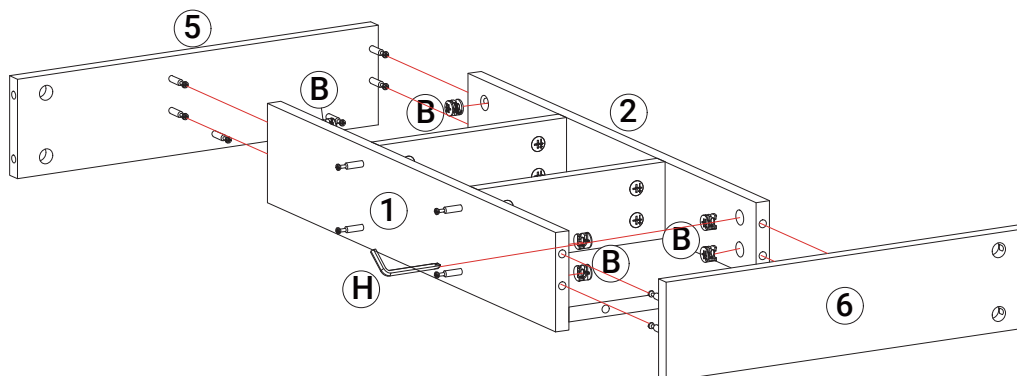
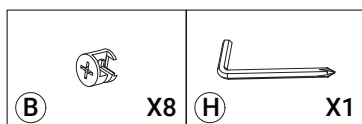
Step 2 | Then locate the inner frame pieces (1 and 2) and attach 10 cam bolts (A) to each, 4 on one side and 6 on the other.



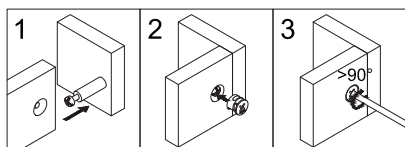
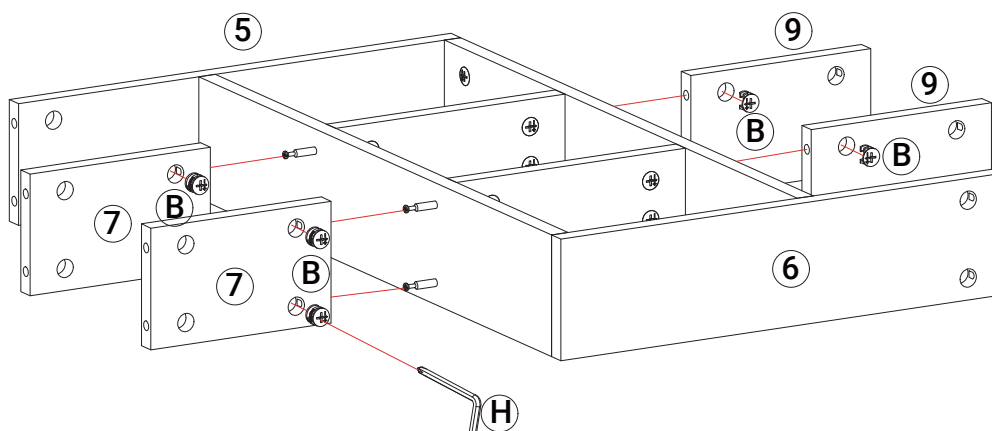
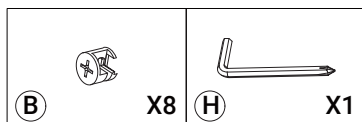
Step 3 | Next attach the inner frames to the inner shelves (3) and back frame (4) by first aligning the 6 holes with the cam bolts and then locking in place with the cam locks (B).



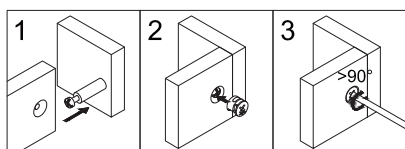
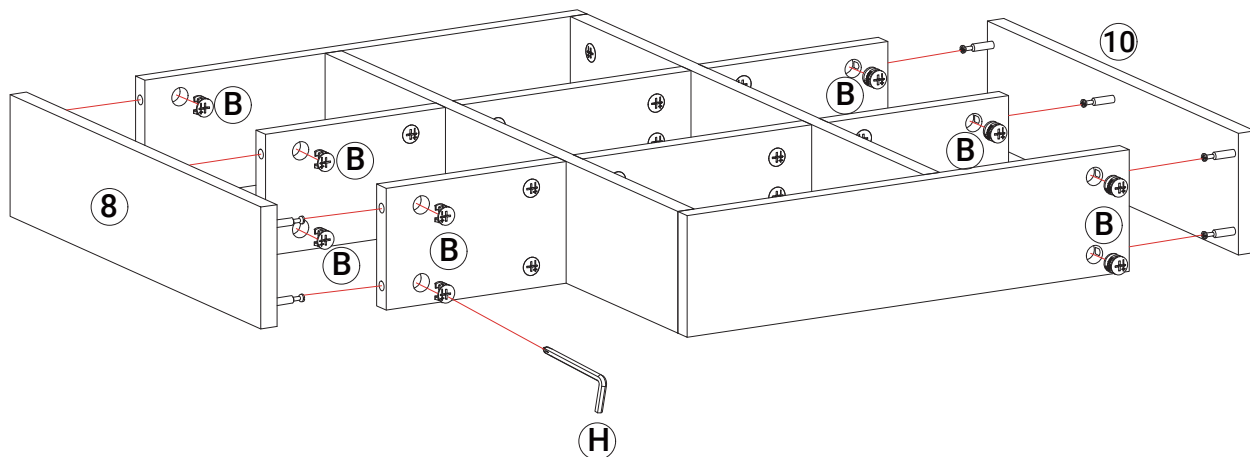
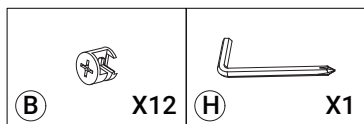
Step 4 | Then attach the top and bottom frame (5 and 6) to the cabinet and lock in place with 4 cam locks (B) each.



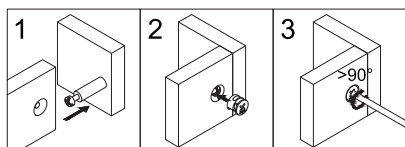
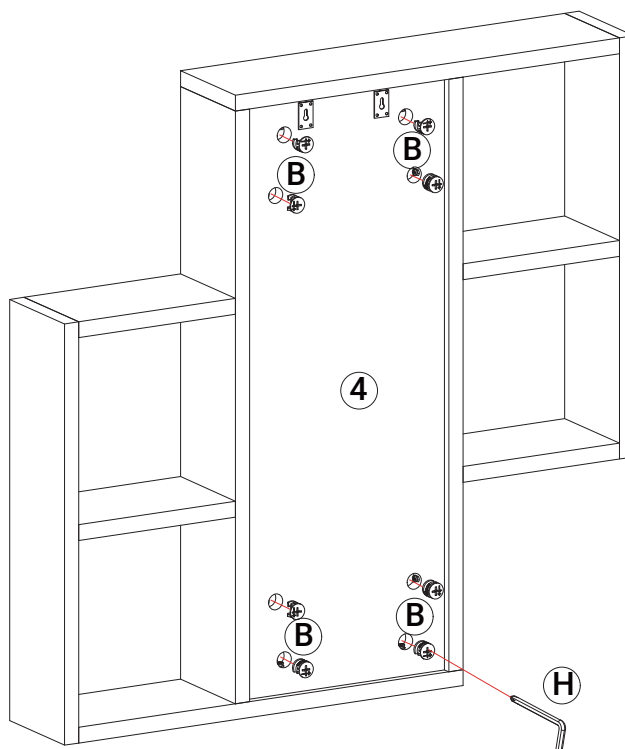
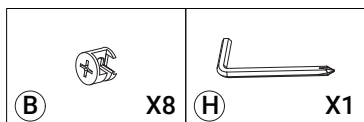
Step 5 | Then attach the outer shelves (7 and 9) to the structure and lock in place with 2 cam locks (B) each.



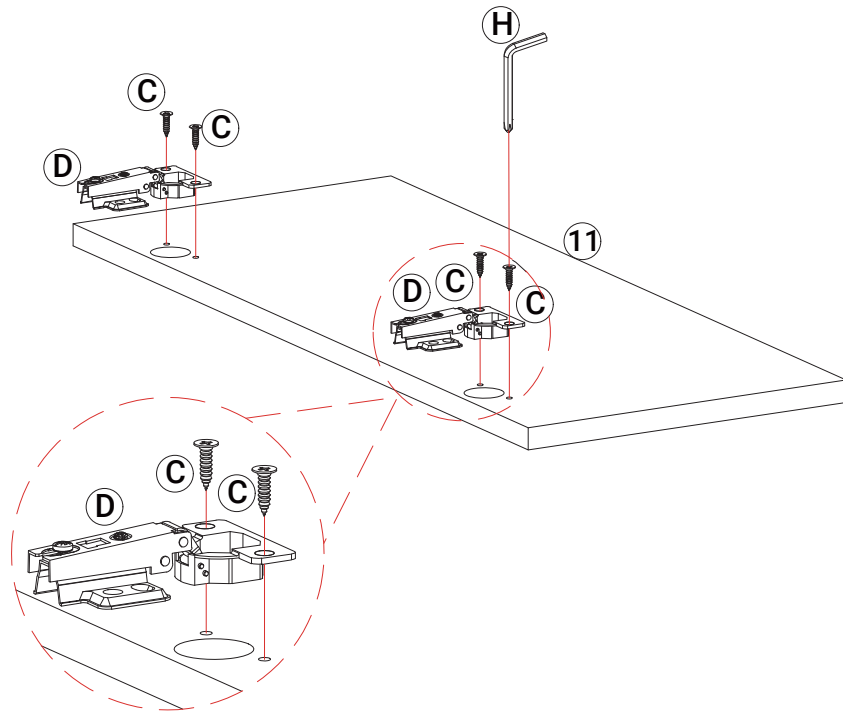
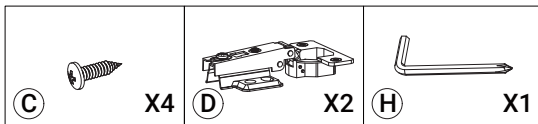
Step 6 | Next, attach the left and right frame pieces to the cabinet by first aligning the holes with the cam bolts and then locking in place with the cam locks (B).



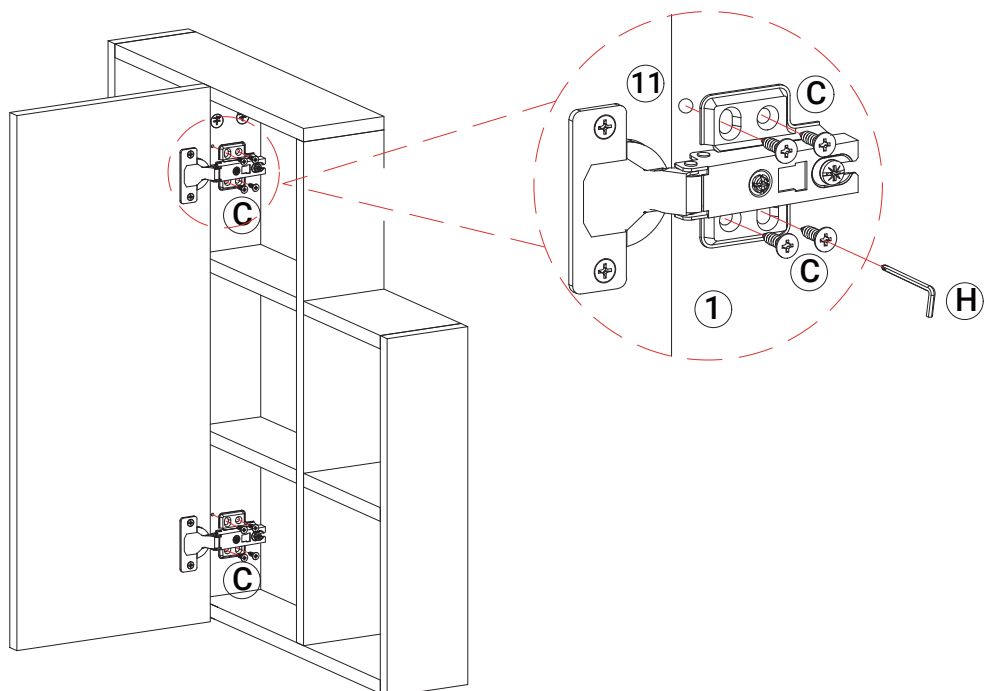
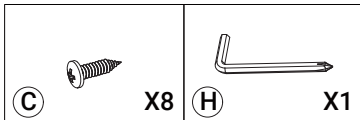
Step 7 | Finally, secure the back frame in place with 8 cam locks (B).



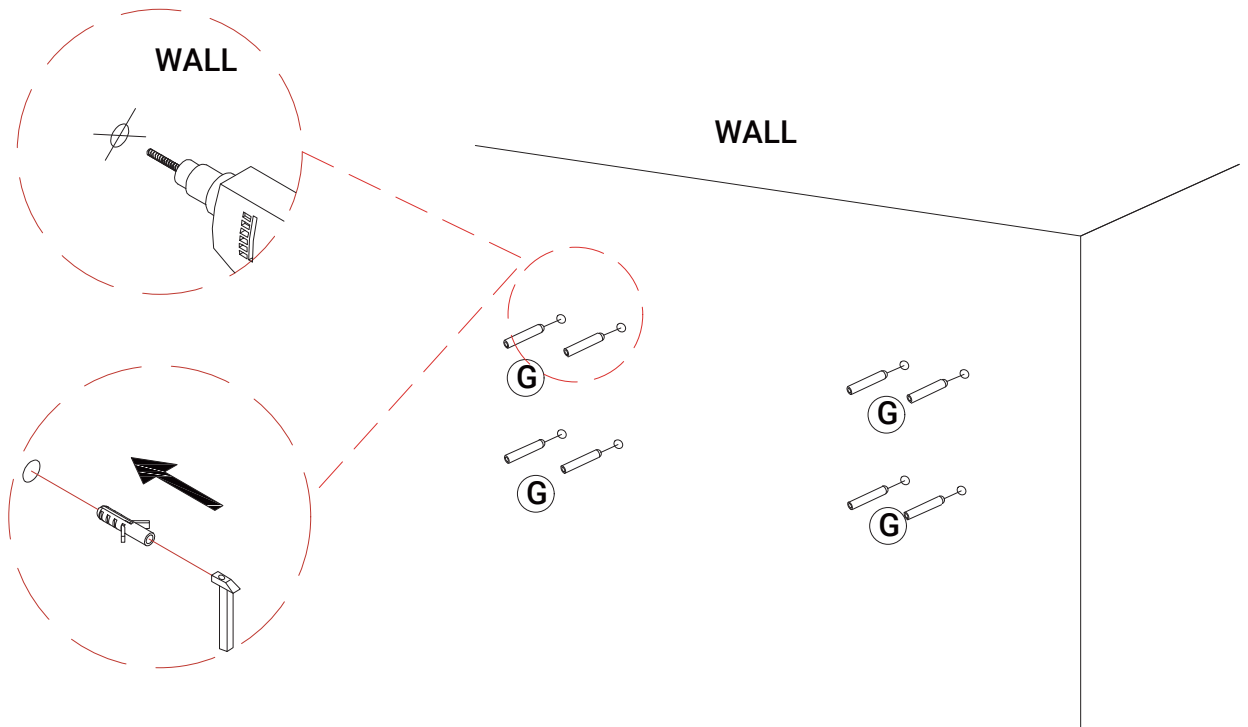
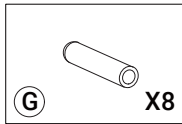
Step 8 | Next, attach the door hinges (D) to the door using 2 screws (C) each.



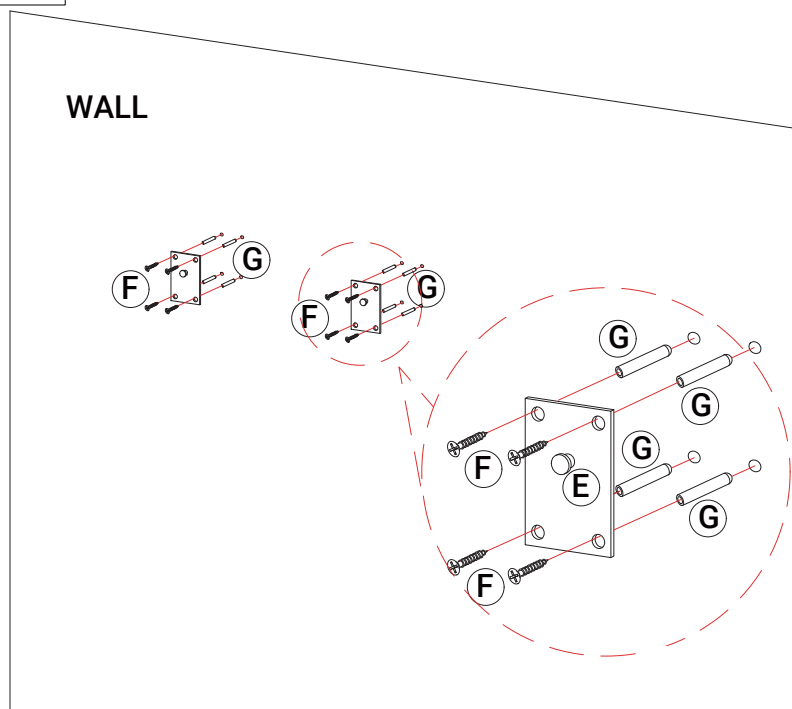
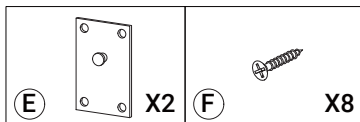
Step 9 | Then secure the door to the frame using 4 screws (C) for each bracket.



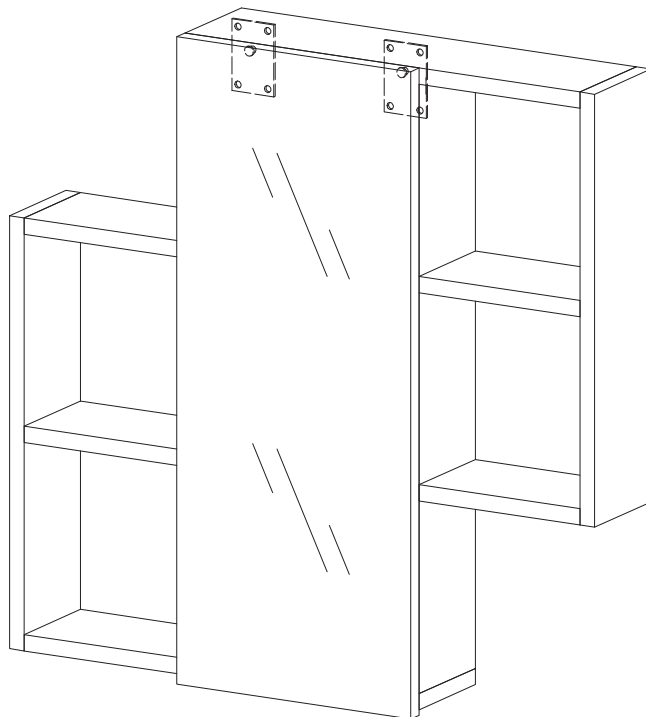
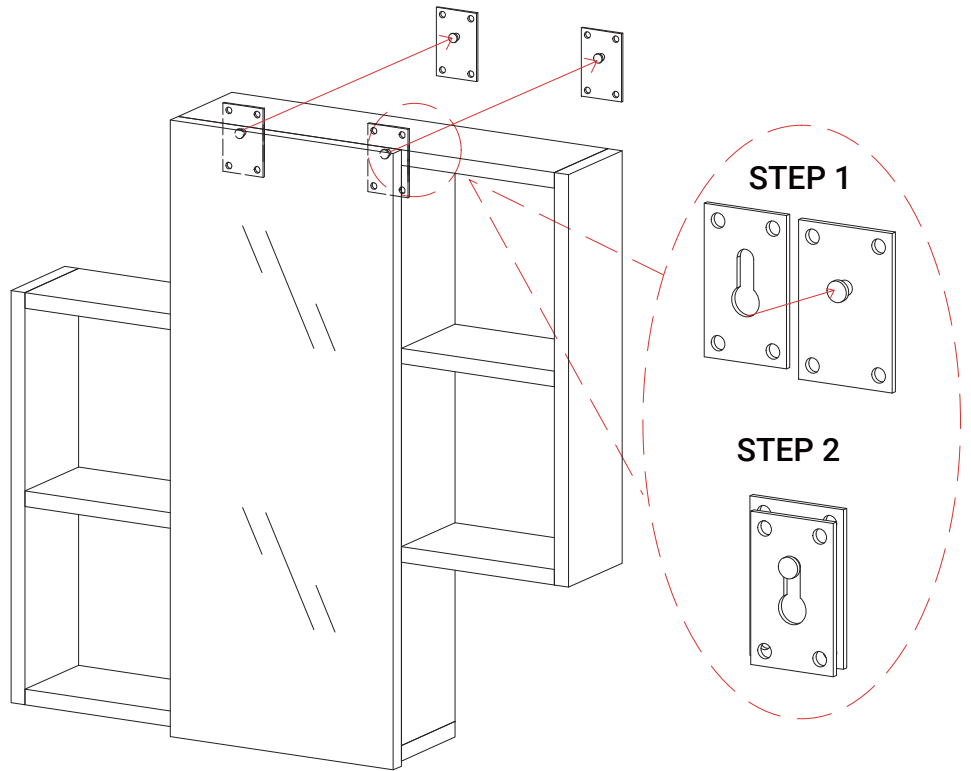
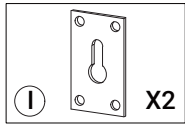
Step 10 | Next, measure where you want to mount on your wall, drill the holes, hammer in the anchors (G) and then screw the mounting equipment (E) into the wall using 4 screws (F) each.



Step 11 | Next, measure where you want to mount on your wall, drill the holes, hammer in the anchors (G) and then screw the mounting equipment (E) into the wall using 4 screws (F) each.



Step 12 | Finally, align the mounting brackets and hang on your wall.



Step 13 | Now that all your hard work is done, it's time to relax and enjoy your craftsmanship!

