

ASSEMBLY INSTRUCTIONS

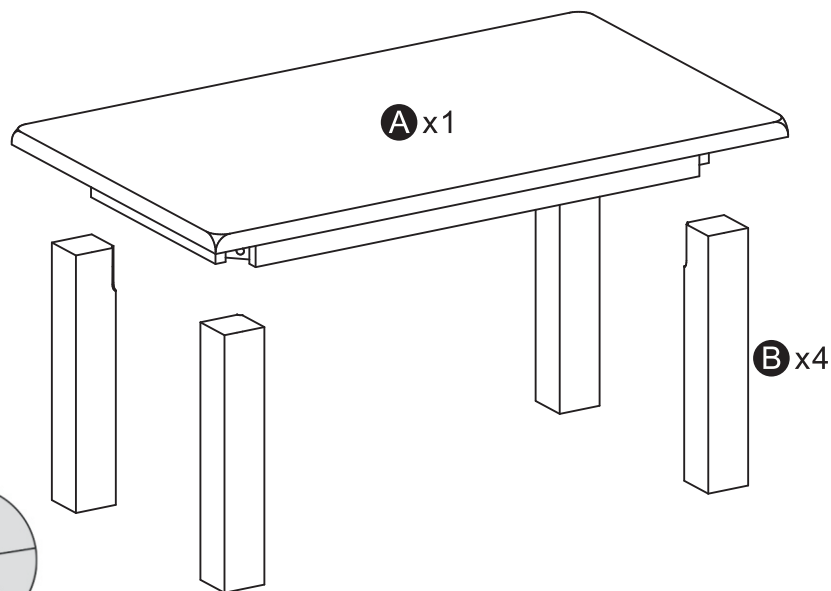
Read these instructions carefully and keep for future reference. Refer to parts inventory for guidance, and ensure you have all pieces before starting. When assembling, place all parts on a soft, clean and flat surface such as a carpet to prevent scratches.

CAUTION

Only tighten the bolts to 80% at first. Once all the parts have been assembled, fully tighten all hardware.

Do not attempt with only one person, Use two people to lift.

Keep all hardware and small parts away from children.

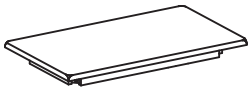






OF PEOPLE

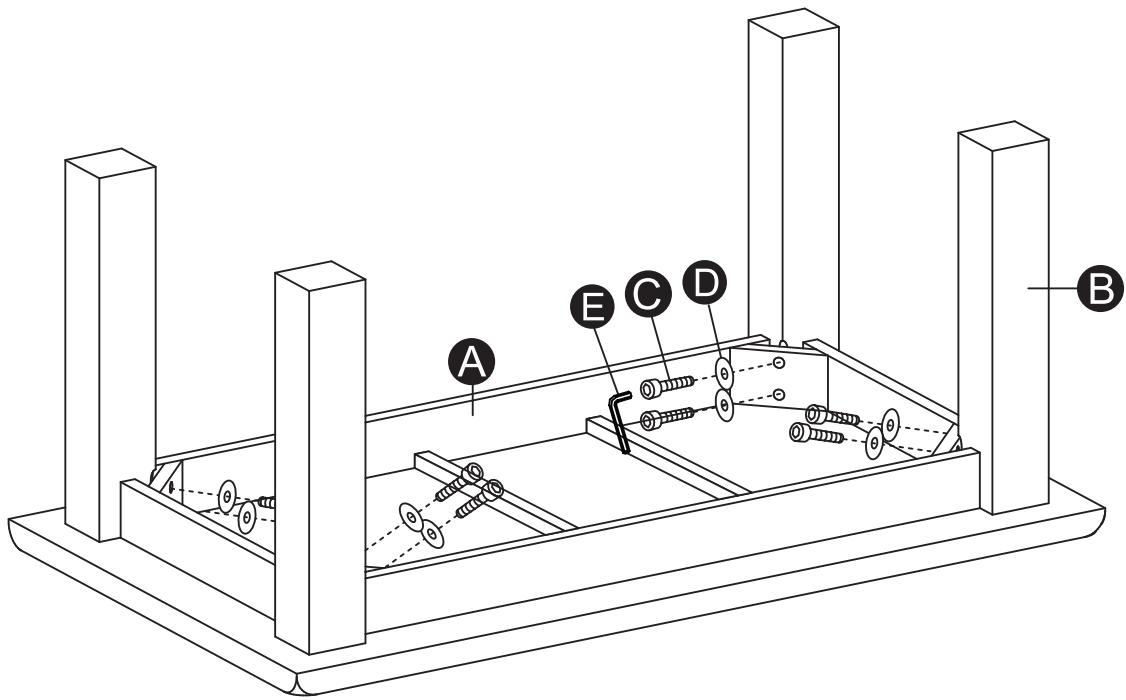


DIFFICULTY

PARTS INVENTORY

ID	DESCRIPTION	QTY	ID	DESCRIPTION	QTY
A		1pc			
B		4pcs			
C		8pcs			
D		8pcs			
E		1pc			

STEP 1



STEP 2

