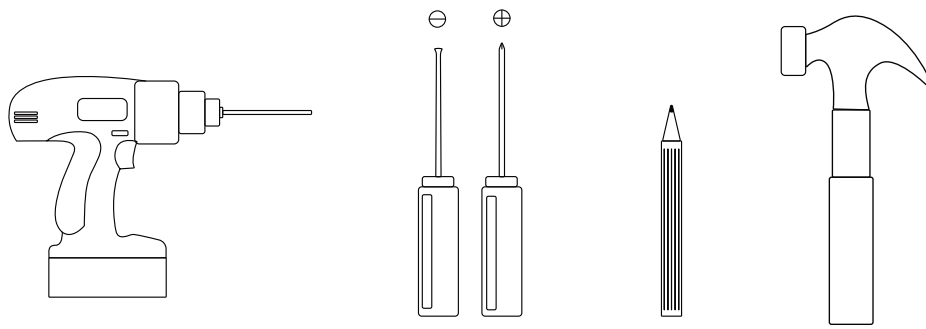
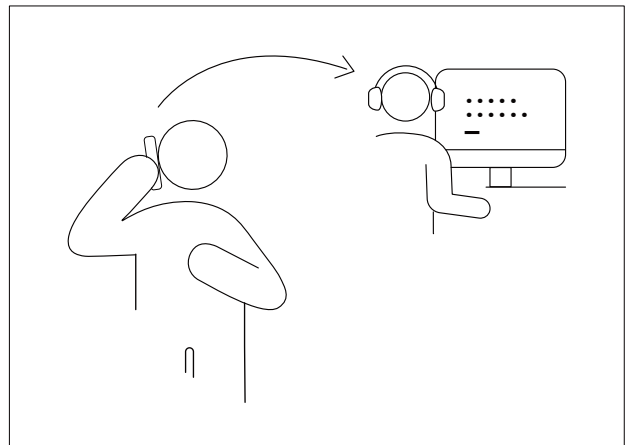
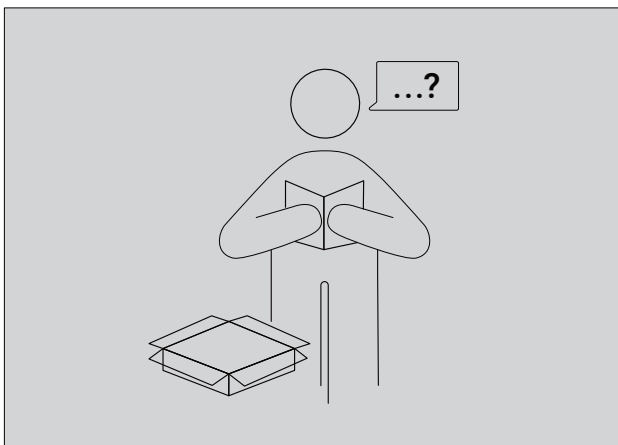
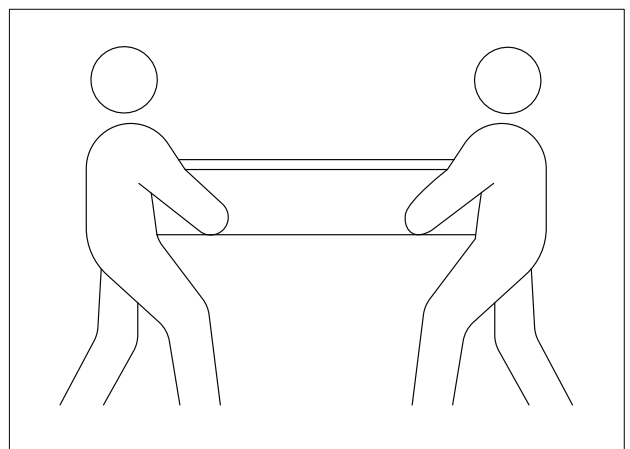
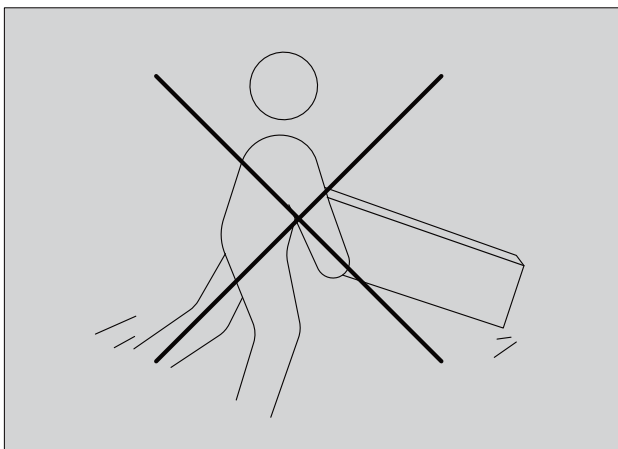
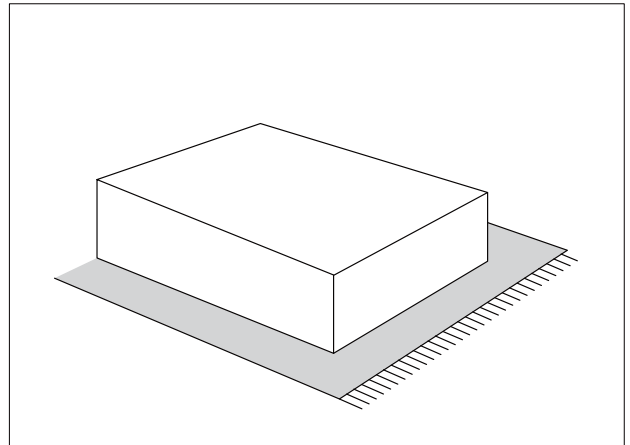
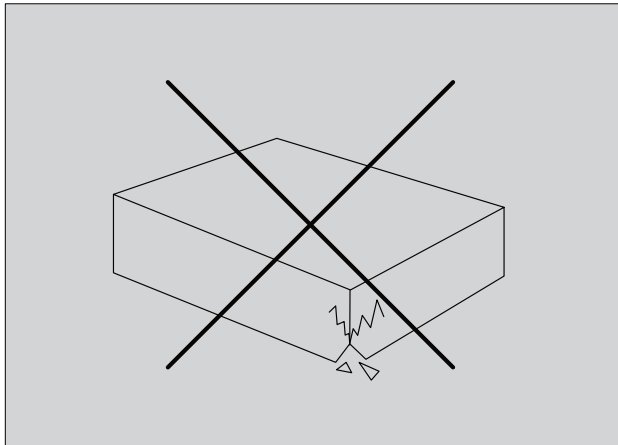


## End Table

Perfectly designed with simplicity in mind

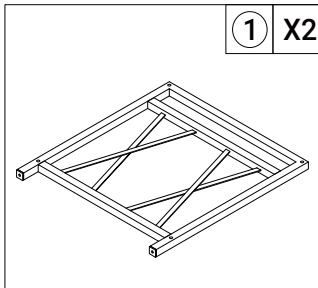


If you have these tools at home to assist you, assembly will be quicker.  
If not, no worries, we have included everything required for assembly in the package.

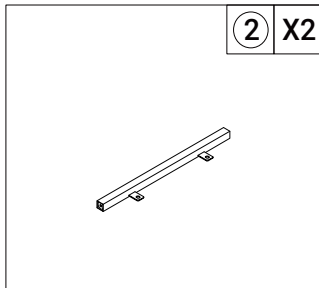


**PARTS**

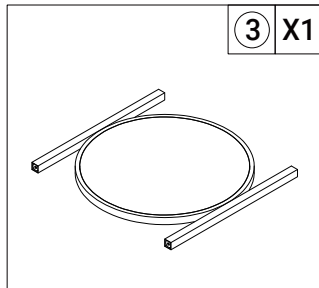
① X2



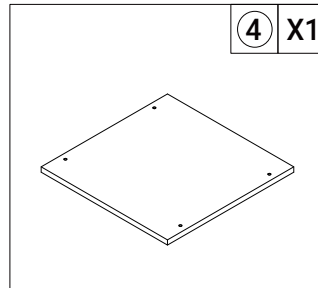
② X2



③ X1



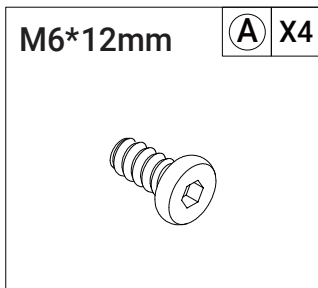
④ X1



**HARDWARE**

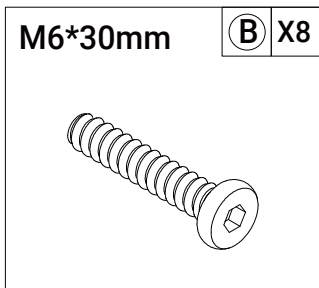
M6\*12mm

Ⓐ X4



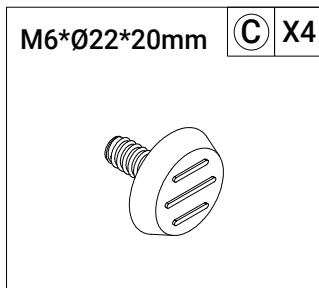
M6\*30mm

Ⓑ X8



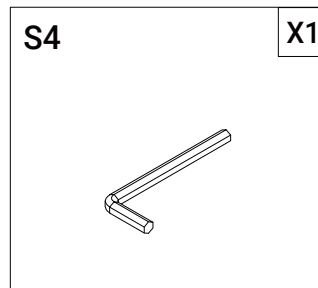
M6\*Ø22\*20mm

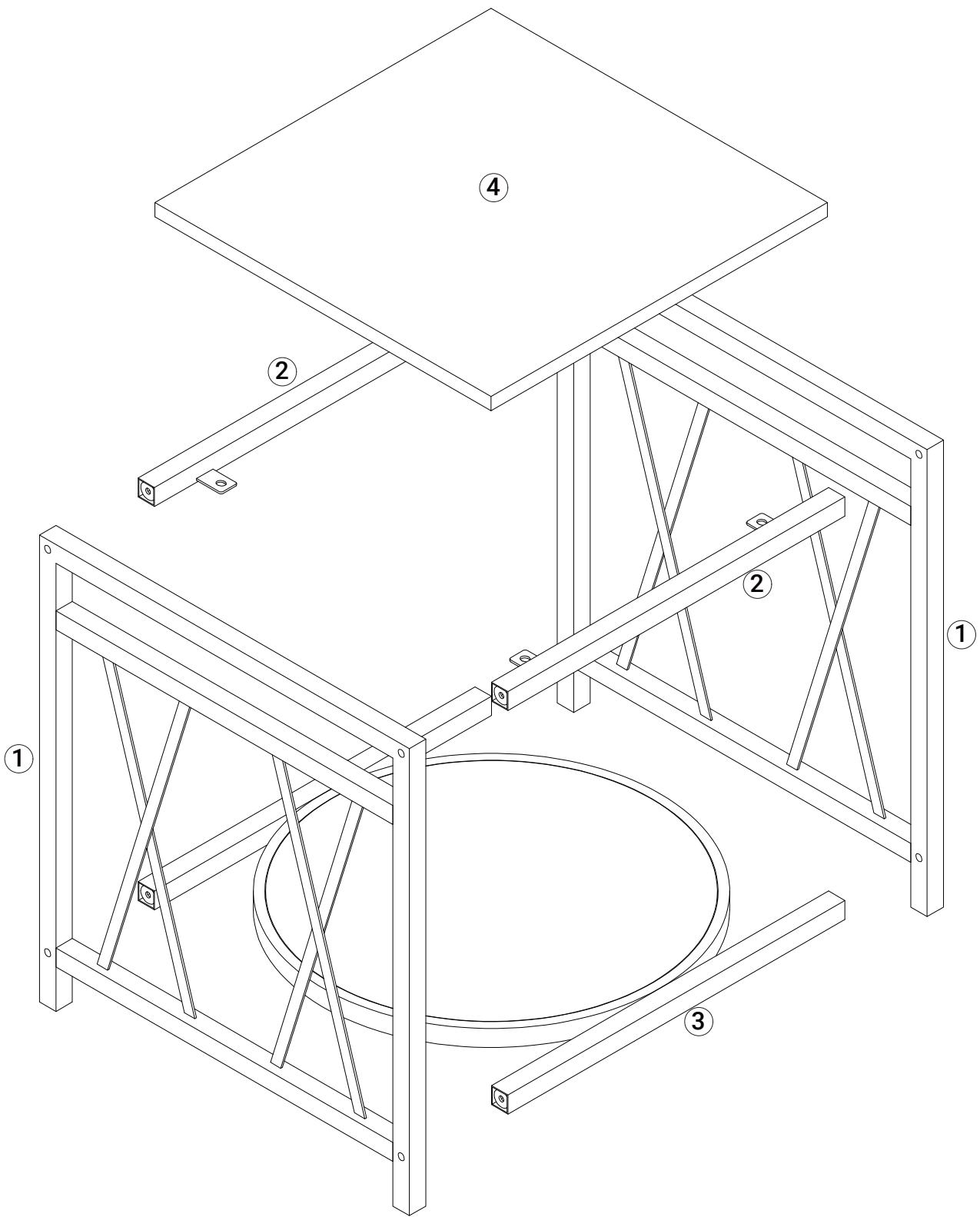
Ⓒ X4



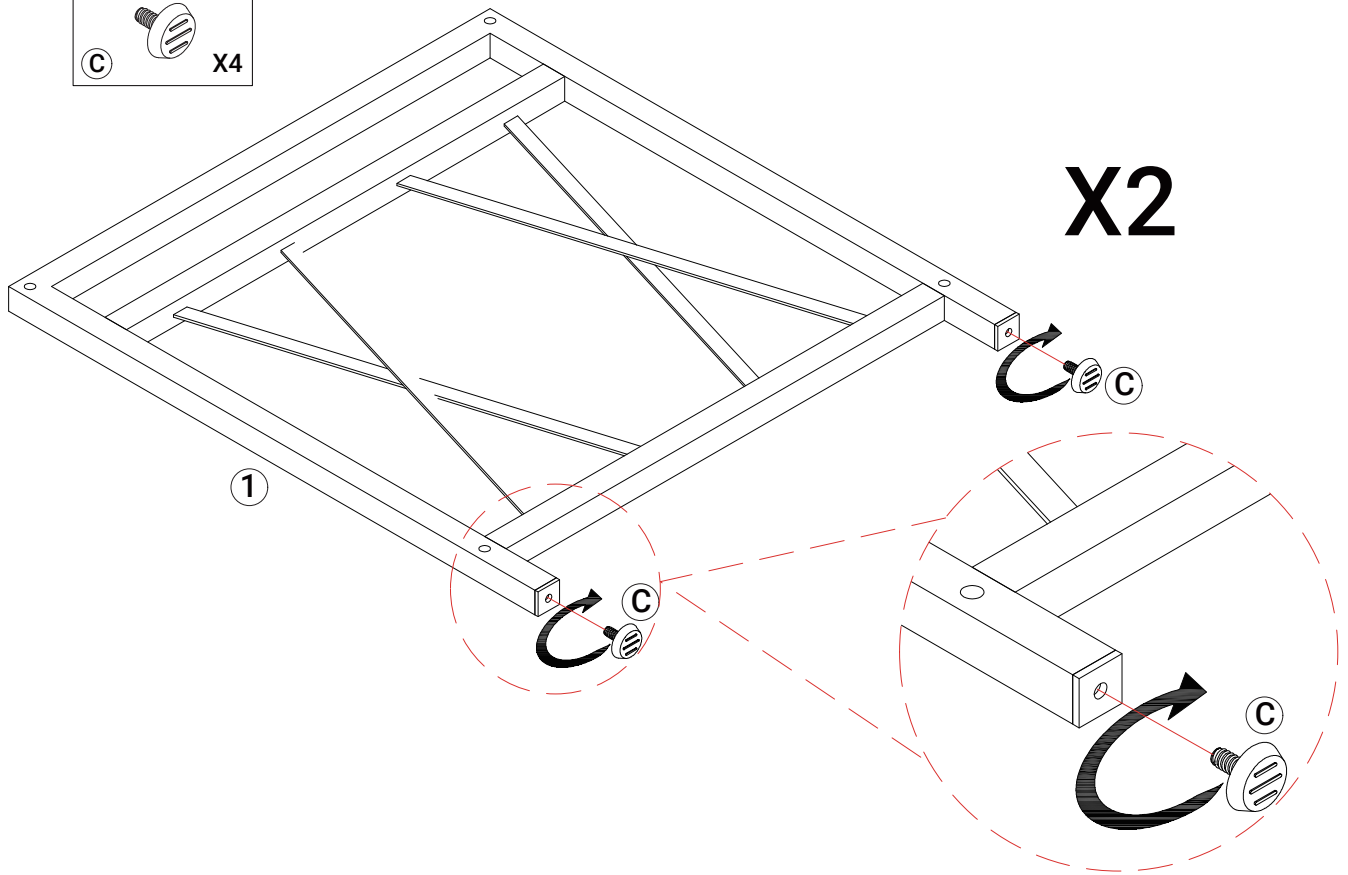
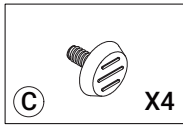
S4

X1

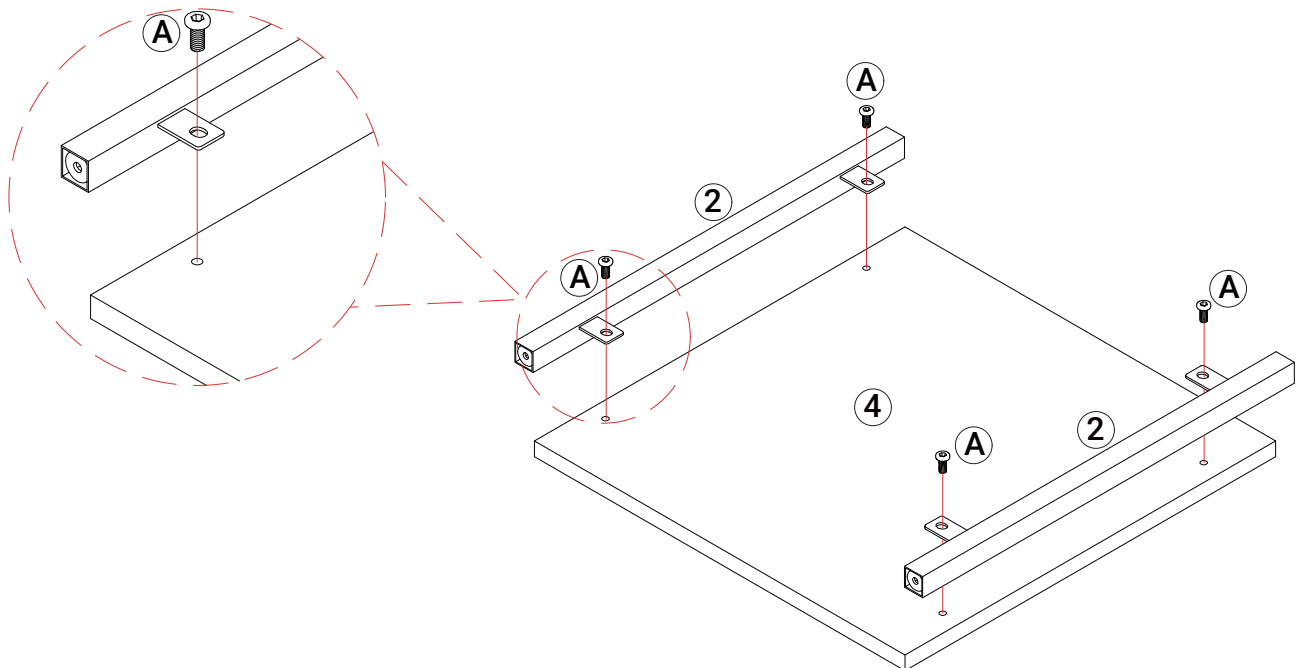
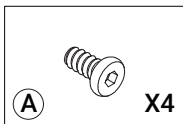




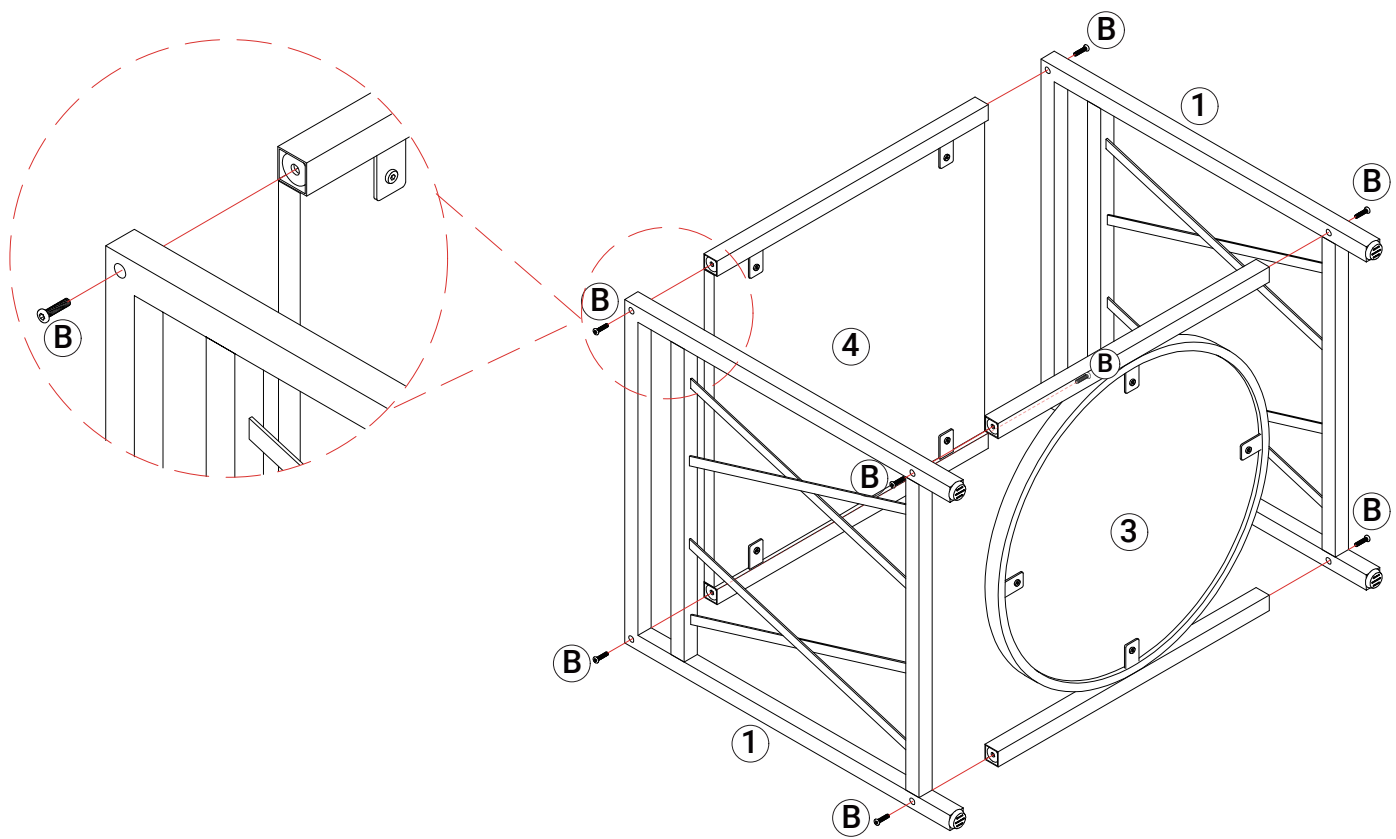
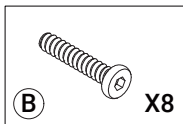
**Step 1** | Let's get started. Start by attaching the feet (C) to the side frames (1).



**Step 2** | Next, build the top by attaching the top frames (2) to the top board (4) using 2 hex screws for each frame piece.



**Step 3** | Then secure the whole table together using 8 hex screws (B) as indicated in the image.



**Step 4** | Now that all your hard work is done, it's time to relax and enjoy your craftsmanship!

