





ASSEMBLY INSTRUCTIONS

MODEL: B9100-2 SAWYER NIGHT STAND

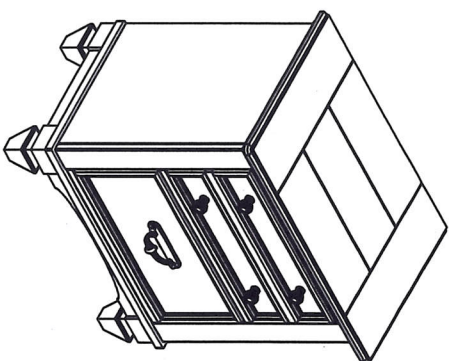
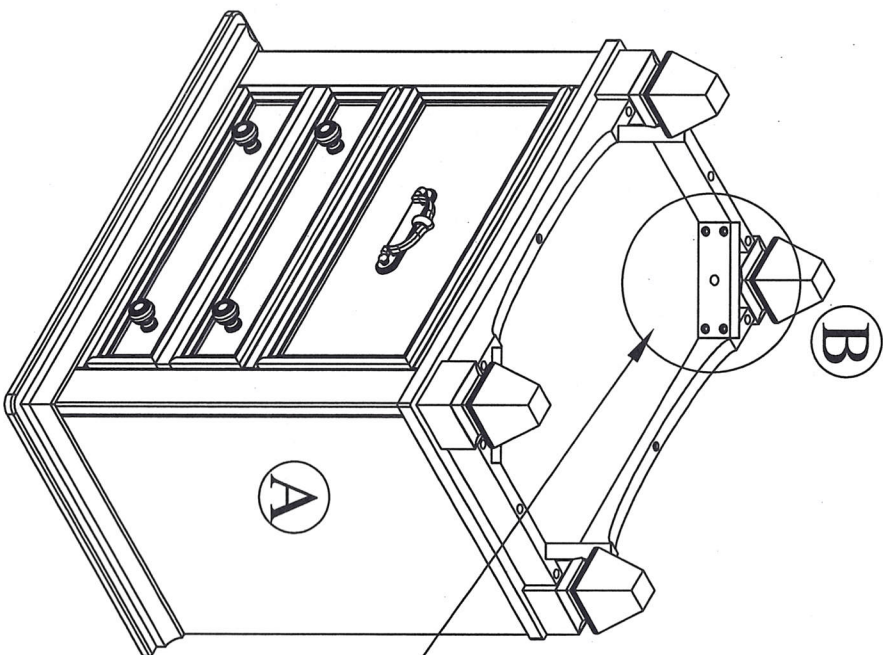
Thank you for purchasing this quality product. Be sure to check all packing material carefully for small parts which may have come loose inside the carton during shipment. Identify and count all parts and compare with hardware list as below:

(BOX 1) BOX OF NIGHT STAND		
ITEM	DRAWING	DESCRIPTION
A		NIGHT STAND
B		BOTTOM LEG
		QTY
		1
		4

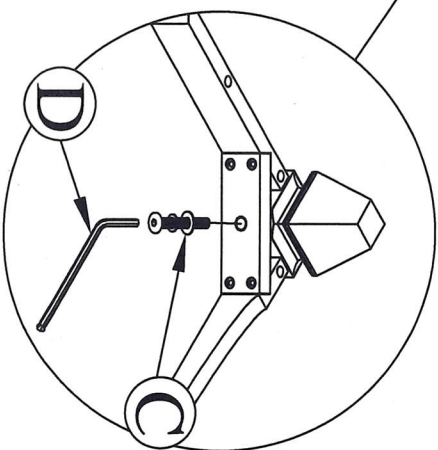
STEP 1

(BOX 1) BOX OF NIGHT STAND (HARDWARE LIST)				
ITEM	DRAWING	DESCRIPTION	DIMENSION	QTY
C		JCBC (M8) WITH WASHER	8 x P1.0 x 50MM	4
D		ALLEN KEY M5	5 x 35 x 55MM	1

Step 1: Attach and tighten the Night STAND bottom leg (B) to the bottom frame and insert JCB (C) With Washer (D) as shown.



COMPLETED ASSEMBLY



THE HARDWARE IS LOCATED IN THE PACKING ITEMS

NOTE: MUST TIGHTEN SCREW PERIODICALLY WITH USE. SCREWS WILL BECOME LOOSE. CHECK TIGHT OF ALL SCREWS EVERY 6-8 WEEKS. CLEANING INSTRUCTION

After assembly, clean & polish the complete parts if necessary with soft cloth and industrial recognized furniture polish.

MADE IN MALAYSIA