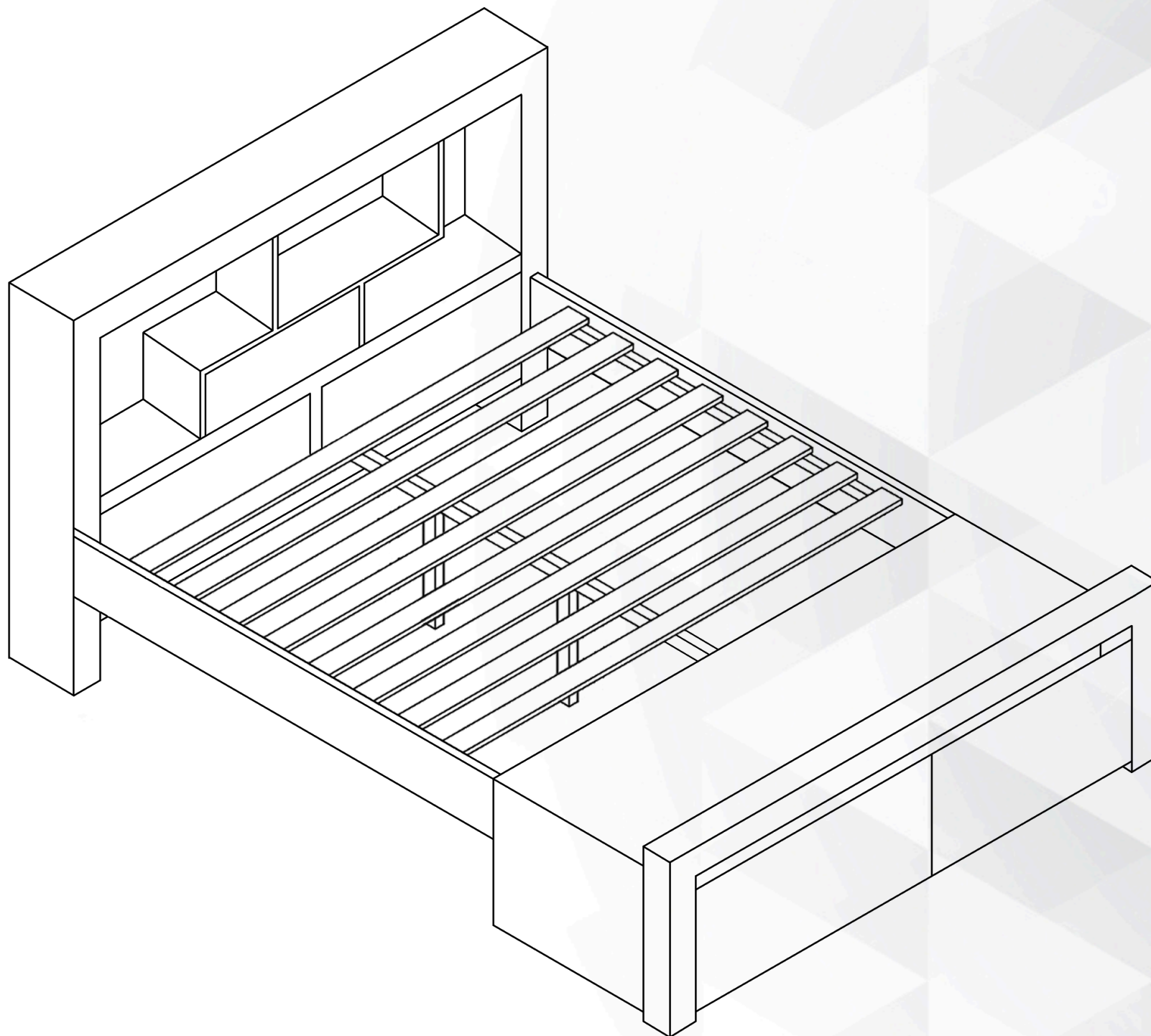


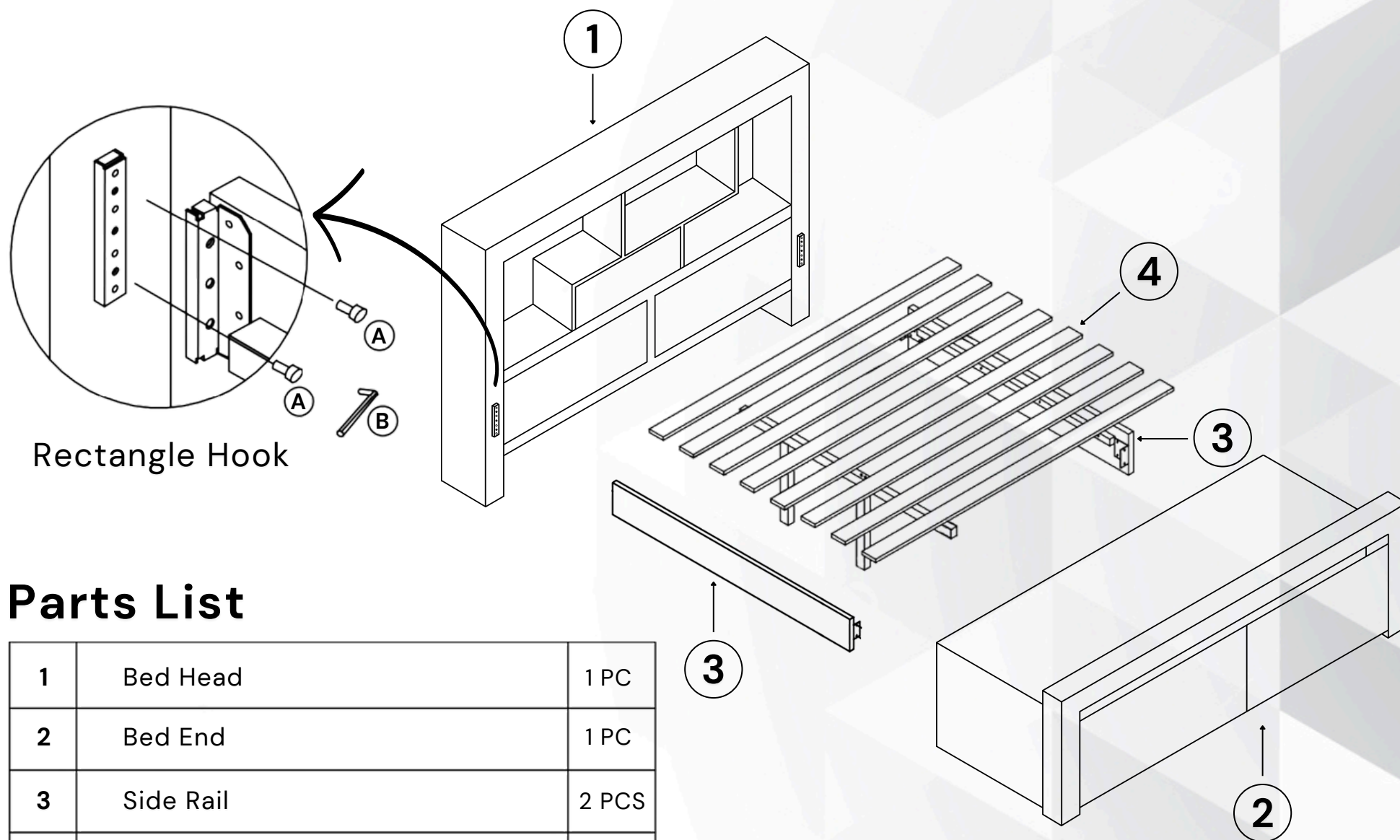
# MALAGA BED

## ASSEMBLY INSTRUCTIONS

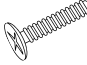




# MALAGA BED

## ASSEMBLY INSTRUCTIONS



### Parts List

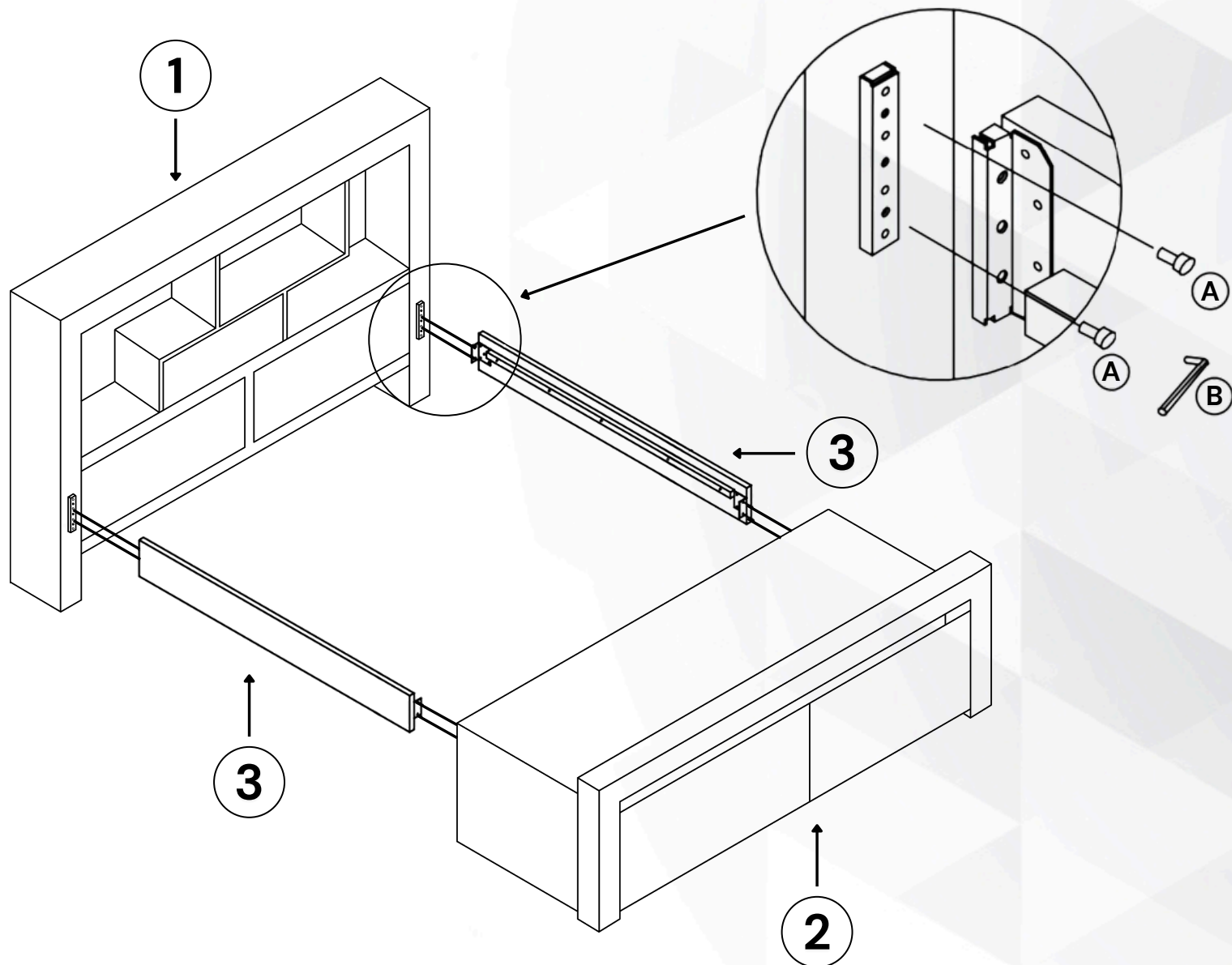
1	Bed Head		1 PC
2	Bed End		1 PC
3	Side Rail		2 PCS
4	Slats		8 PCS
5	Screws		6 PCS
A	Bolt		8 PCS
B	Allen Key		1 PC

# MALAGA BED

## ASSEMBLY INSTRUCTIONS

### Step 1: Attach Side Rails to Bed Head and End

Insert the hook on each side rail into the corresponding slot on the bed head and end. Once aligned, secure each corner by inserting two bolts. Use the supplied Allen key to tighten the bolts clockwise until secure.

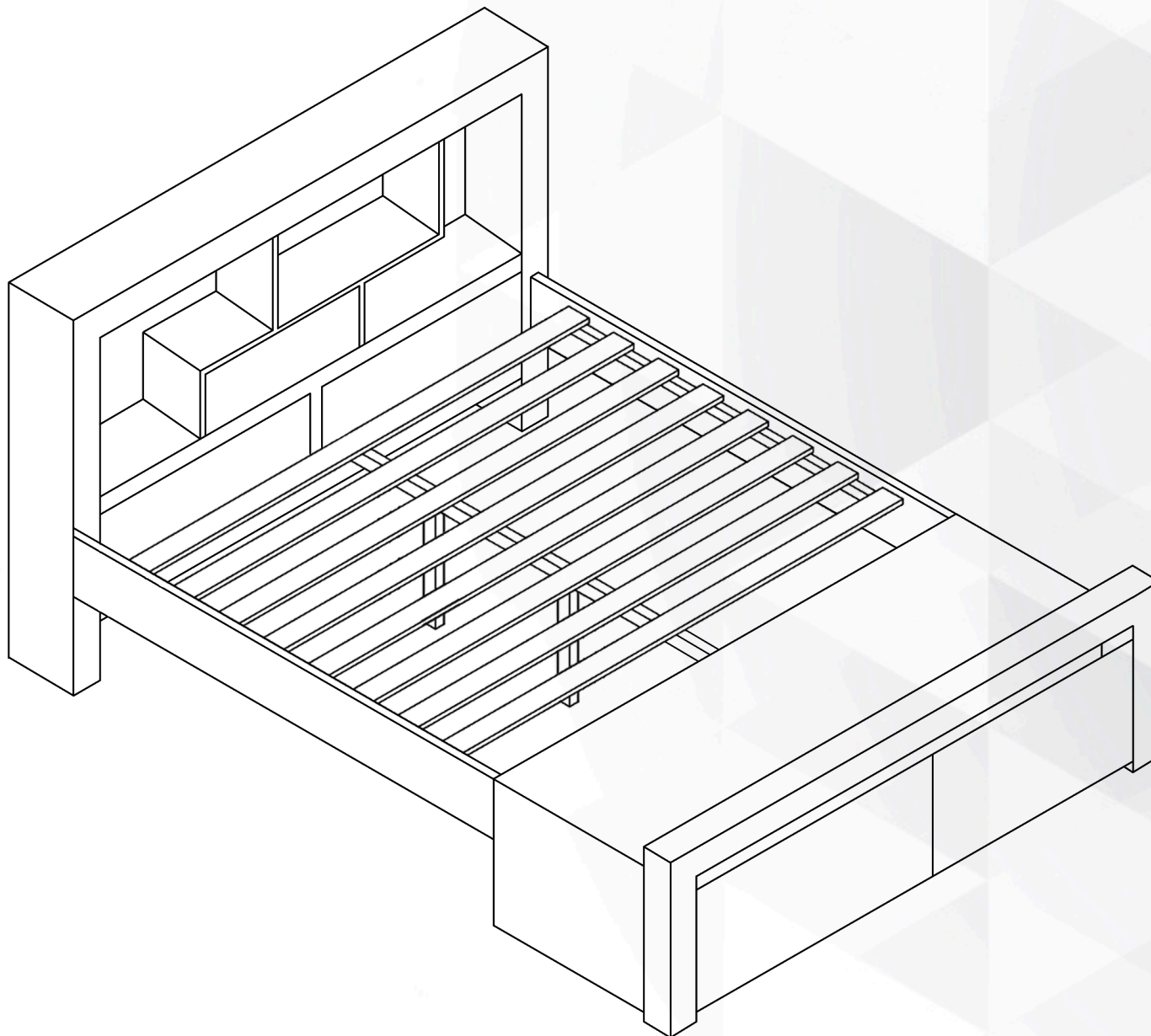


# MALAGA BED

## ASSEMBLY INSTRUCTIONS

### Step 2: Install Wooden Slats

Place each slat into the designated wooden slots on both sides of the side rails. Ensure all slats are evenly spaced and securely positioned. Your bed is now assembled and ready for use.



# MALAGA BED

## ASSEMBLY INSTRUCTIONS

### Step 3 (Optional): Secure Slats for Added Stability

To make the bed sturdier, you may choose to screw the slats into the side rails and centre support using the screws provided. Please refer to the diagram for recommended screw locations.

