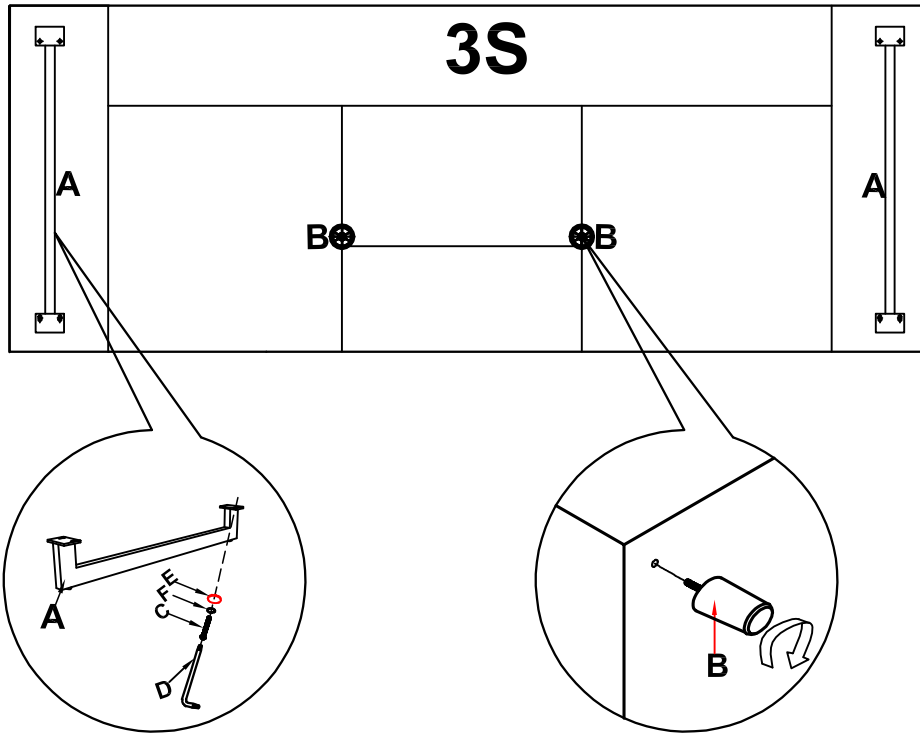





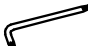


## YA-4488S Feet Assembly Instruction

Thank you for purchasing this quality product. Please read these instructions carefully before starting the assembly process and keep in a safe place for future reference

**Caution:** The assistance of one or more people is recommended when handling the product in order to avoid personal injury

Be sure to check all packing materials carefully for small parts that may have come loose inside the carton during shipment. Please also check all parts for any obvious signs of damage that may affect their correct assembly



NO.	Name	Parts List	Parts quantity(Unit:Pcs)			
			3S	2S	1S	
<b>A</b>	Metal feet	 810*75*H135mm	<b>2</b>	<b>2</b>	<b>2</b>	
<b>B</b>	Plastic feet	 Ø38mm*H100mm	<b>2</b>	<b>1</b>		
<b>C</b>	Bolt	 5/16"*1 1/4"	<b>8</b>	<b>8</b>	<b>8</b>	
<b>D</b>	Allen Key	 M5(30*120mm)	<b>1</b>	<b>1</b>	<b>1</b>	
<b>E</b>	Washer	 5/16"*19mm*2mm	<b>8</b>	<b>8</b>	<b>8</b>	
<b>F</b>	Smart Washer	 5/16"	<b>8</b>	<b>8</b>	<b>8</b>	

**Note:**The corner unit version of this product should not be moved after it has been assembled, without first disassembling to it's modular parts