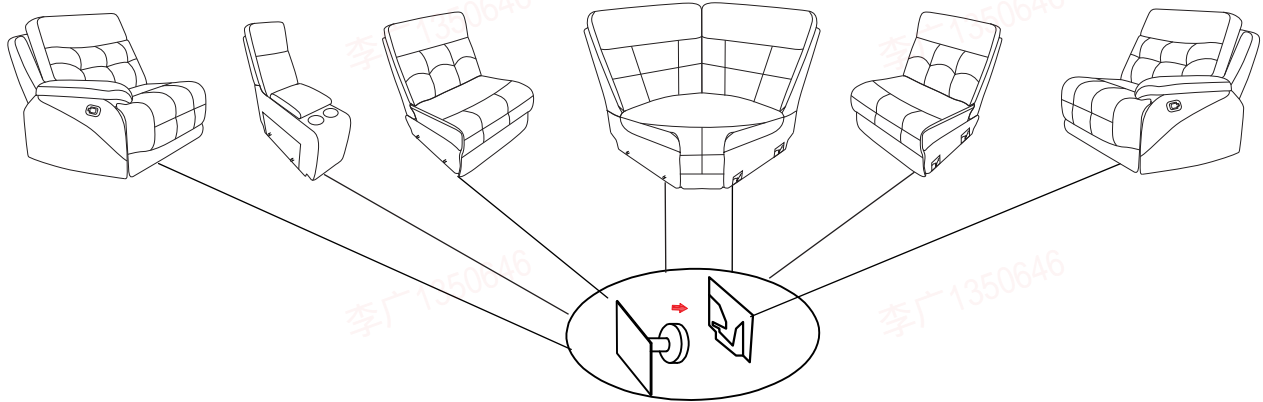


ASSEMBLY INSTRUCTION  
SANTOS SECTIONAL

STEP 1:



STEP 2:

