

ASSEMBLY INSTRUCTIONS

MOOK Queen Size Bed


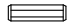


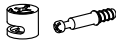

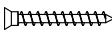
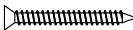
826-007

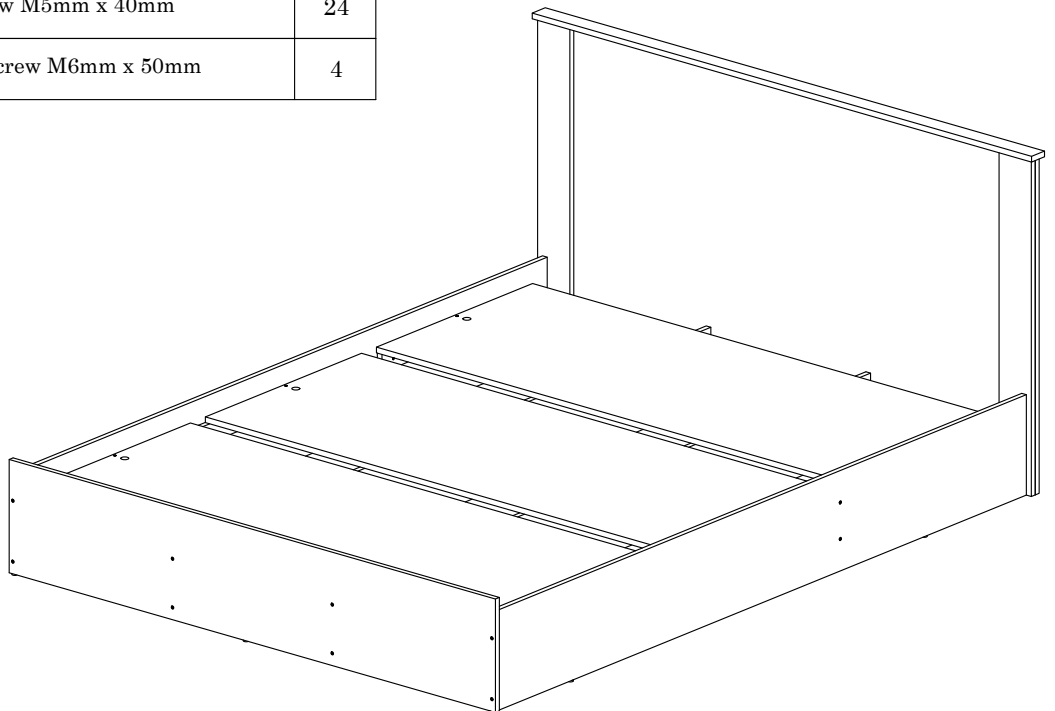


IMPORTANT

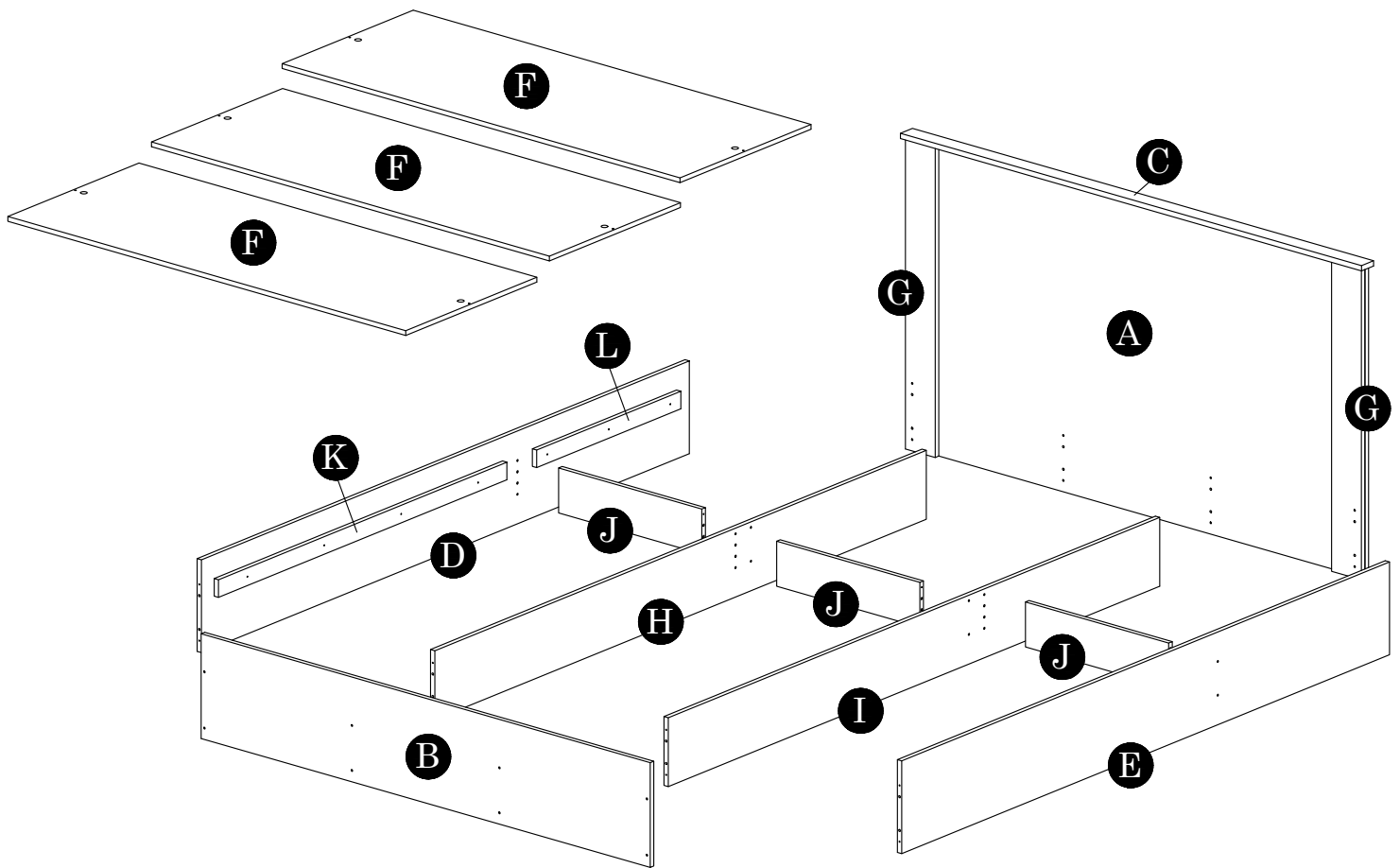
PLEASE READ BEFORE YOU CONTINUE FURTHER

1. MATERIAL USE LAMINATED PARTICLE BOARD, TO CLEAN USE SOFT, DRY CLOTH.
2. DO NOT USE DETERGENT OR CHEMICAL AVOID CONTACT WITH WATER AND DIRECT SUNLIGHT.
3. TO BE ASSEMBLED ON A SOFT, DRY, CLEAN SMOOTH SURFACE.
4. DO NOT USE ANY TOOLS OTHER THAN THOSE SHOWN.
5. USE OF POWER TOOLS TO ASSEMBLE THIS PRODUCT WILL INVALIDATE ANY CLAIM AND MAY DAMAGE THIS PRODUCT MAKING IT UNSAFE.
6. BEFORE STARTING ASSEMBLY PLEASE VERIFY IF ALL PARTS AND HARDWARE ARE INCLUDED.


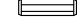

HARDWARE LIST			QTY (pcs)
DW4		Wood Dowel 6 x 25mm	31
DW11		Wood Dowel 6 x 20mm	8
LG1		Leg Pin	12
MF1		Allen Key	1
MN2		Mini Fix 15mm	4 Sets
SC13		Screw M4mm x 30mm	20
SC25		FH Screw M5mm x 40mm	24
SC33		JCBC Screw M6mm x 50mm	4

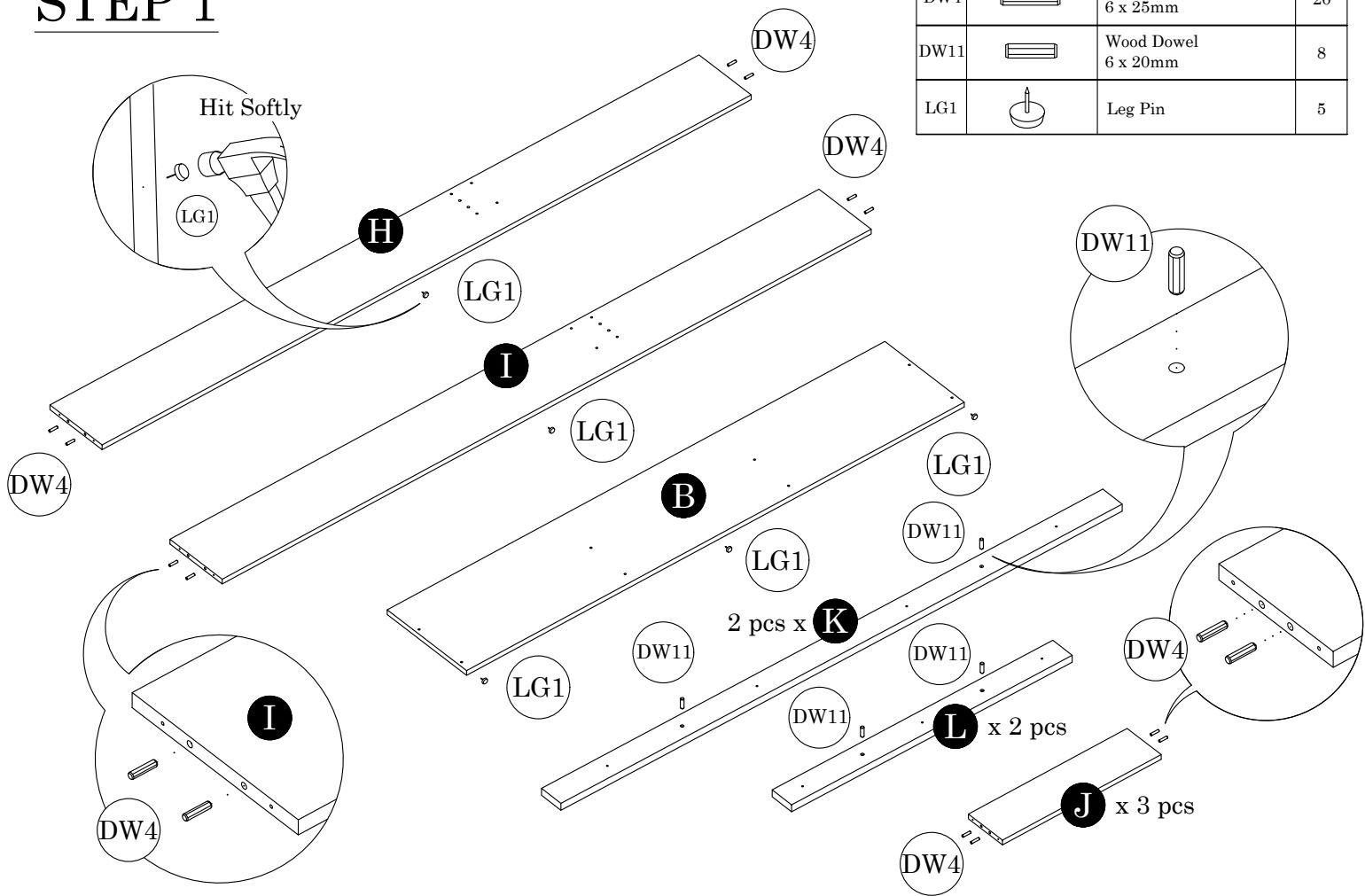


Parts List		QTY
A	Headboard	1 pc
B	Footboard	1 pc
C	Head-Top Panel	1 pc
D	Side Panel (L)	1 pc
E	Side Panel (R)	1 pc
F	Bed Base Panel	3 pcs
G	Big Crossbar Wood	2 pcs
H	Center Panel (L)	1 pc
I	Center Panel (R)	1 pc
J	Small Center Crossbar	3 pcs
K	Big Wood	2 pcs
L	Small Wood	2 pcs

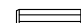




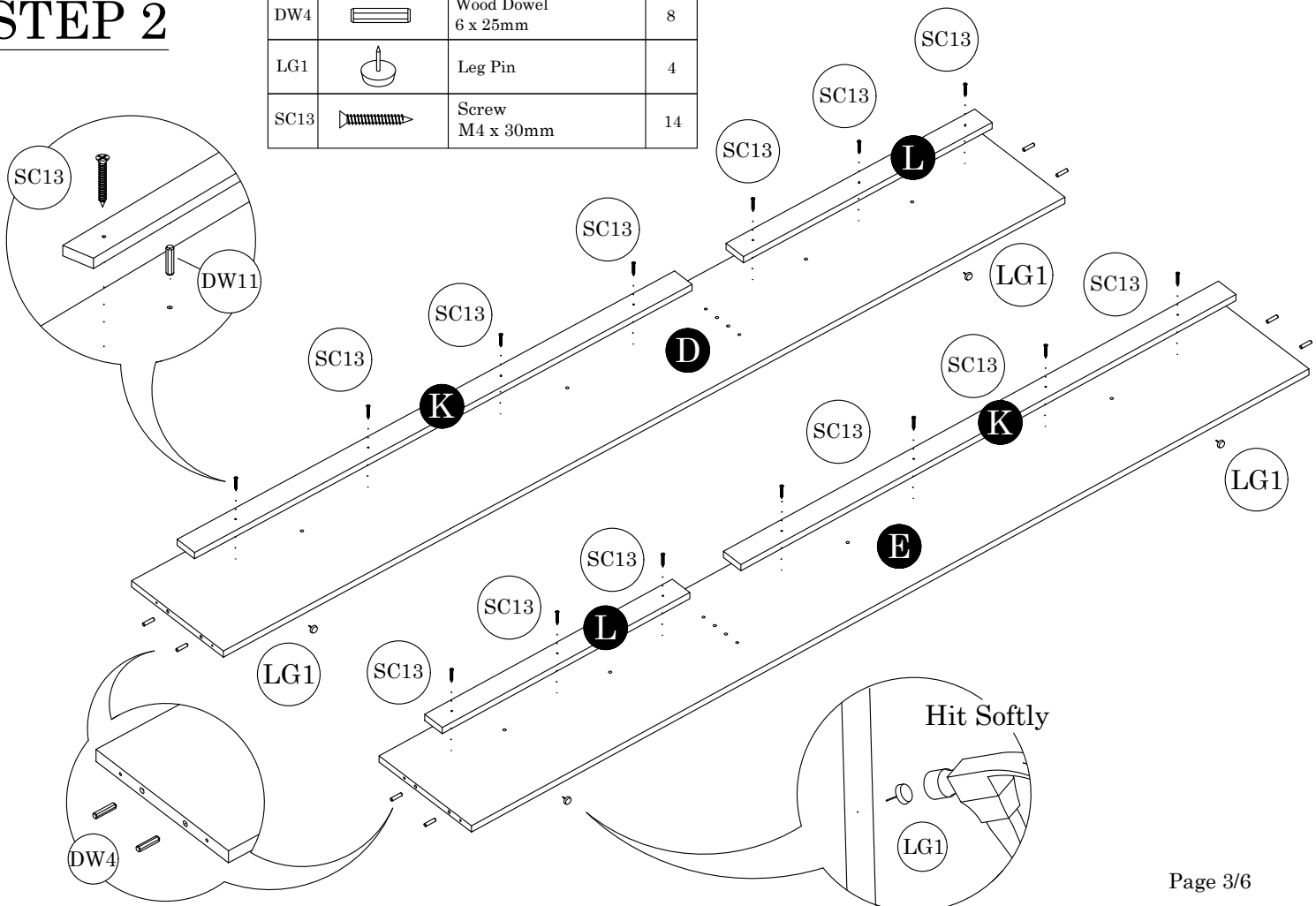
STEP 1

DW4		Wood Dowel 6 x 25mm	20
DW11		Wood Dowel 6 x 20mm	8
LG1		Leg Pin	5

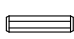




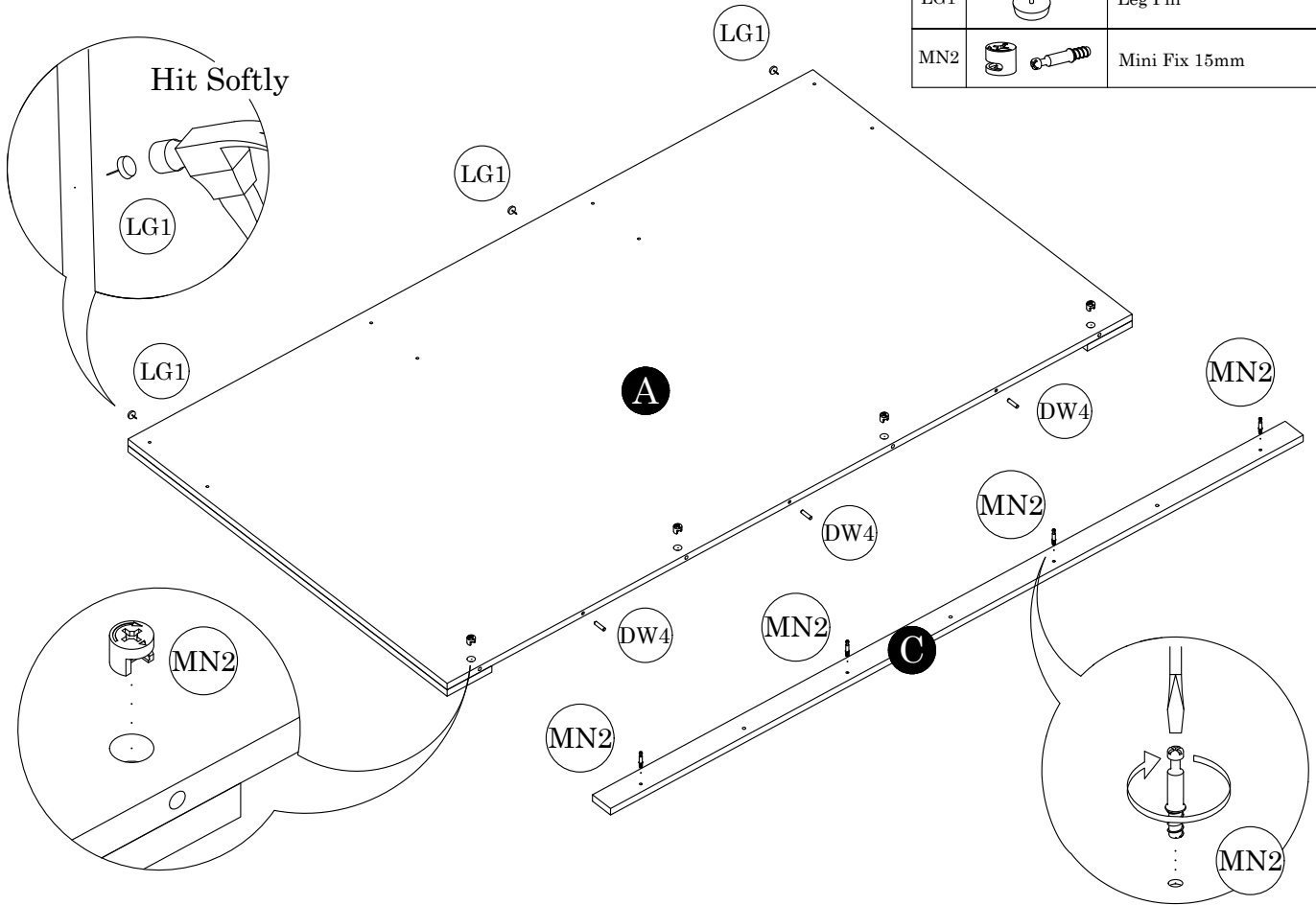
STEP 2

DW4		Wood Dowel 6 x 25mm	8
LG1		Leg Pin	4
SC13		Screw M4 x 30mm	14



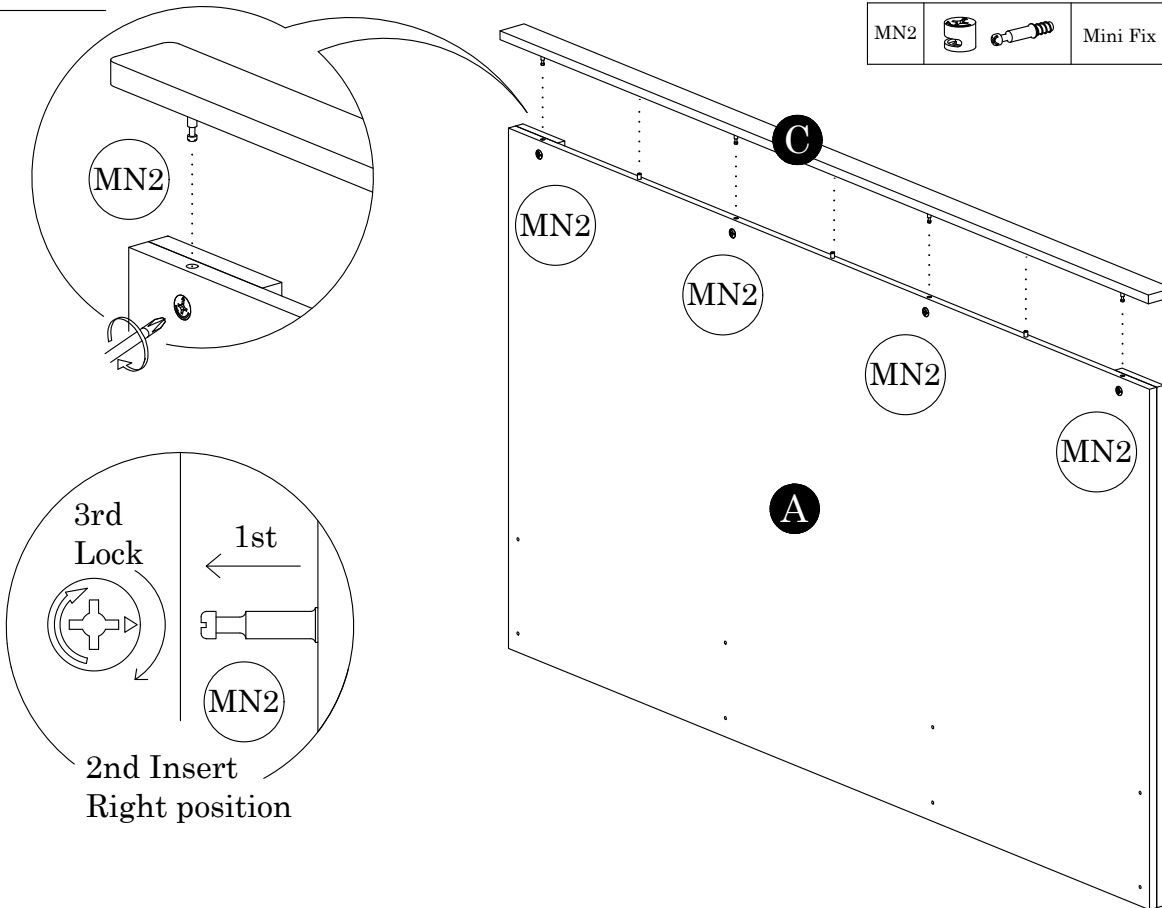
STEP 3

DW4		Wood Dowel 6 x 25mm	3
LG1		Leg Pin	3
MN2		Mini Fix 15mm	4 Sets

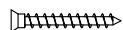


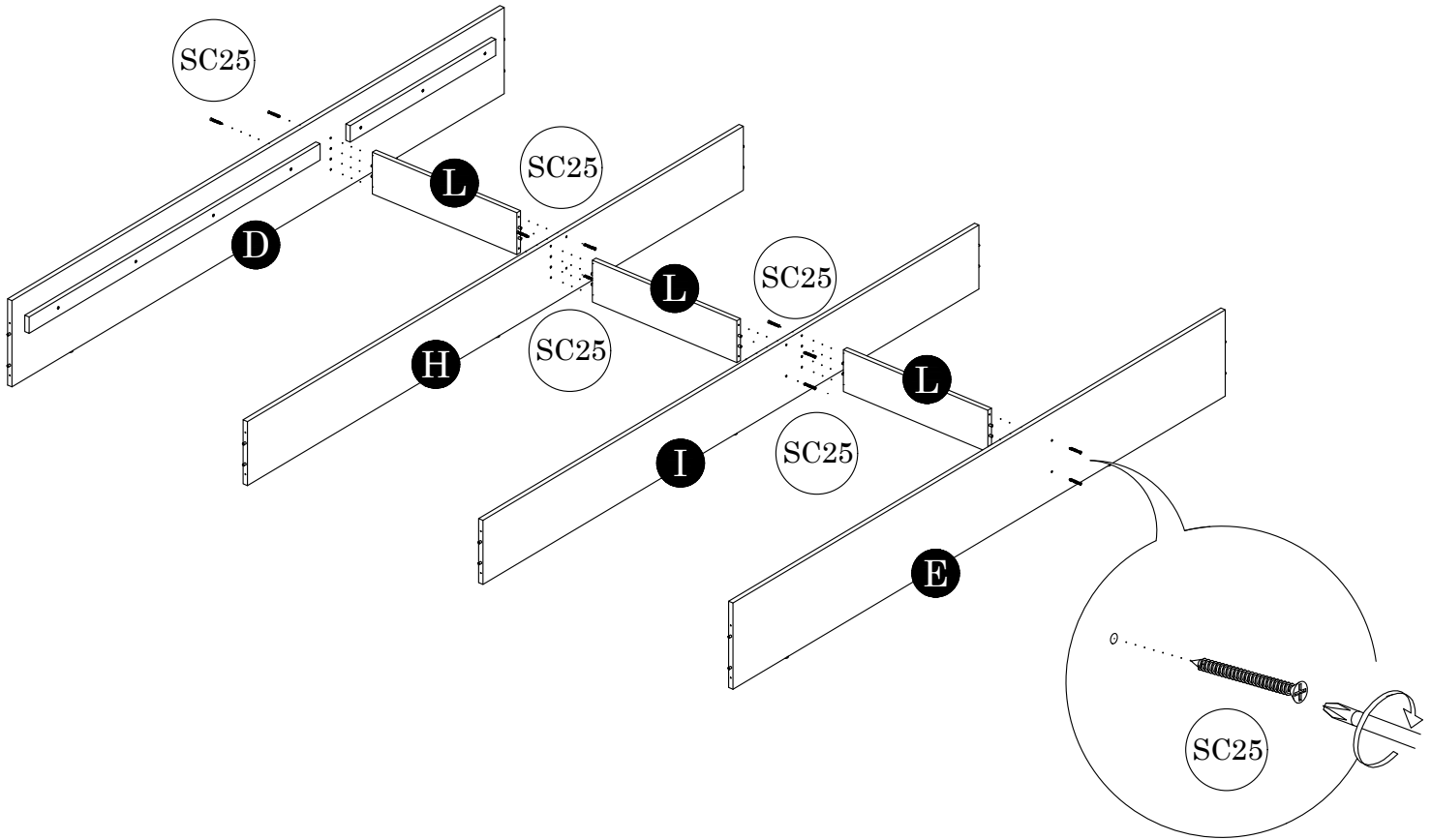
STEP 4

MN2		Mini Fix 15mm	4 Sets
-----	---	---------------	--------

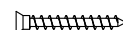


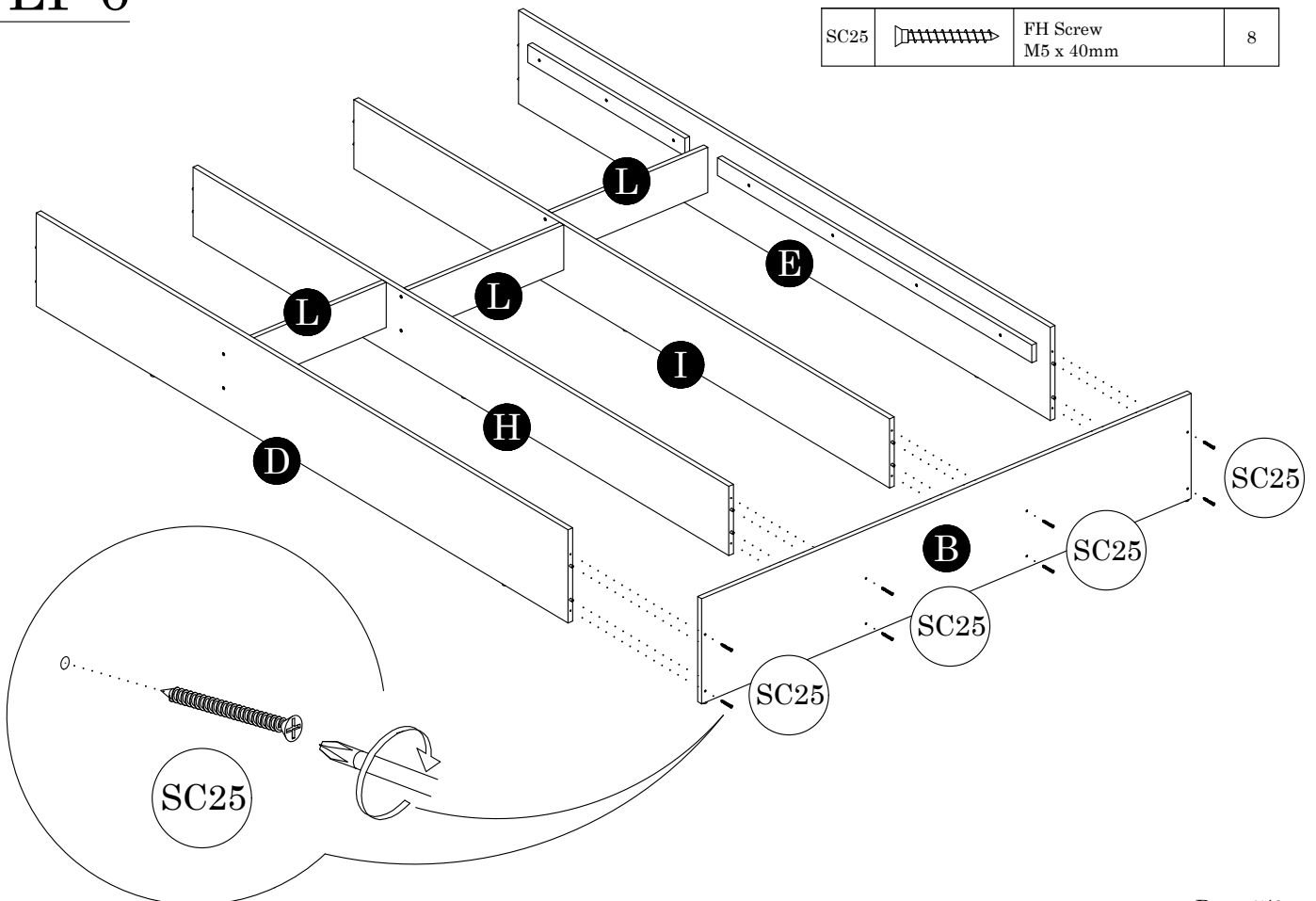
STEP 5

SC25		FH Screw M5 x 40mm	12
------	---	-----------------------	----



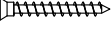


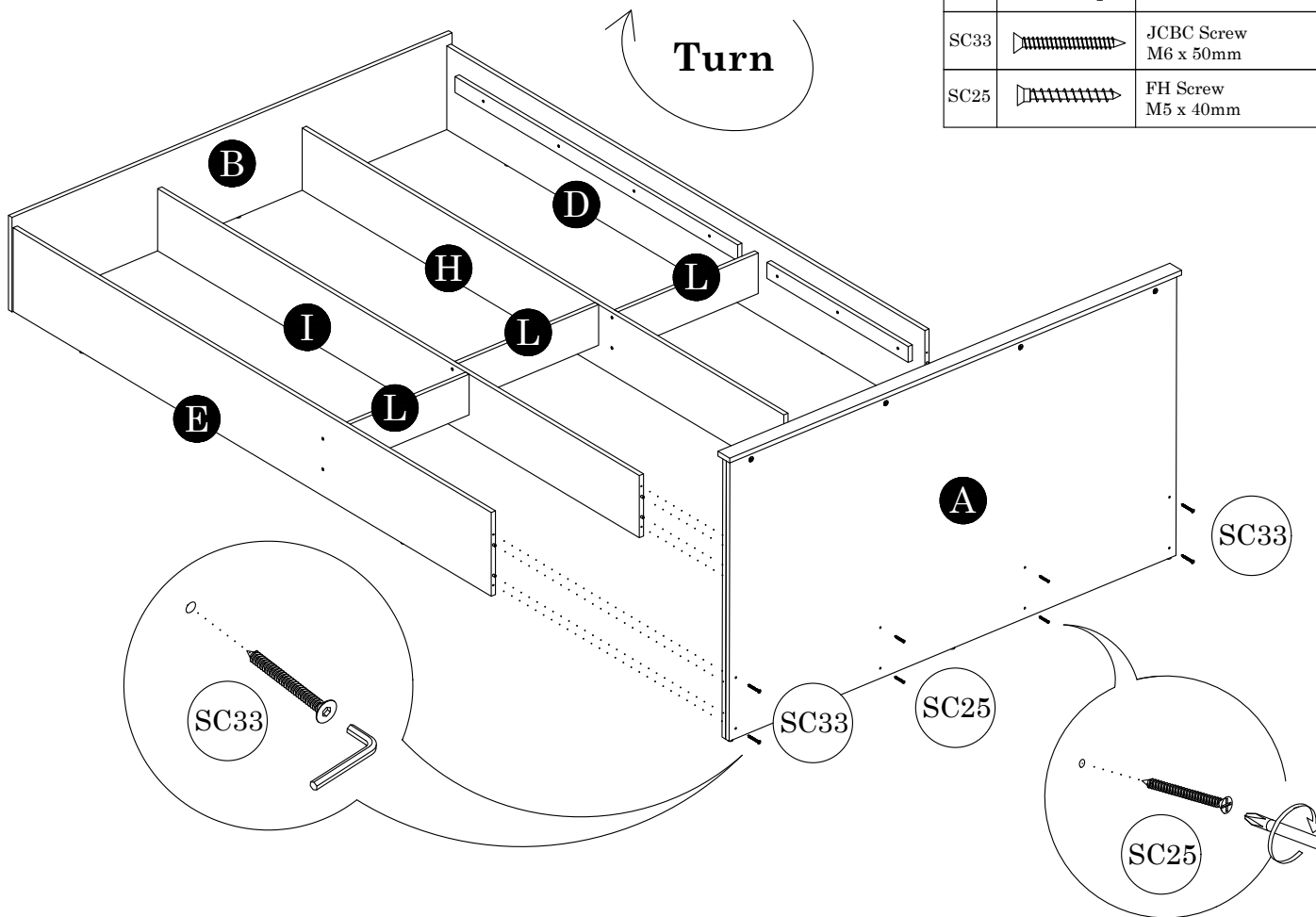
STEP 6

SC25		FH Screw M5 x 40mm	8
------	---	-----------------------	---




STEP 7

MF1		Allen Key	1
SC33		JCBC Screw M6 x 50mm	4
SC25		FH Screw M5 x 40mm	4



STEP 8

SC13		Screw M4 x 30mm	6
------	---	--------------------	---

