

ASSEMBLY INSTRUCTIONS

MOOK 6-Drawer Dresser






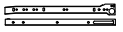
826-009

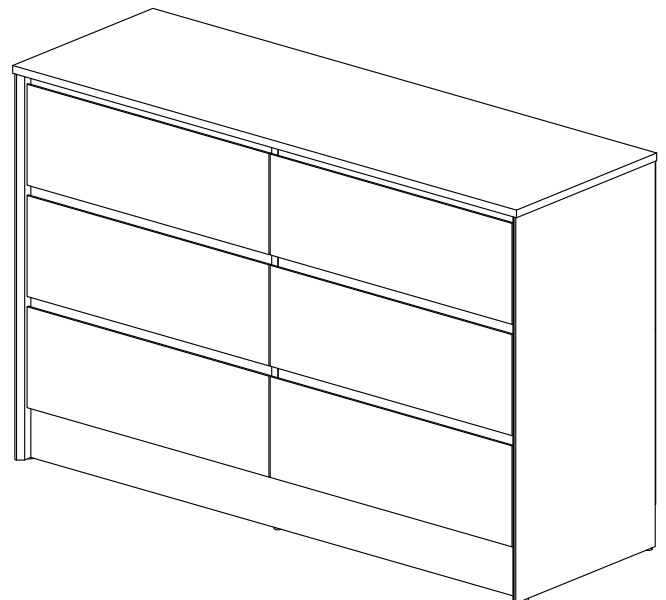


IMPORTANT

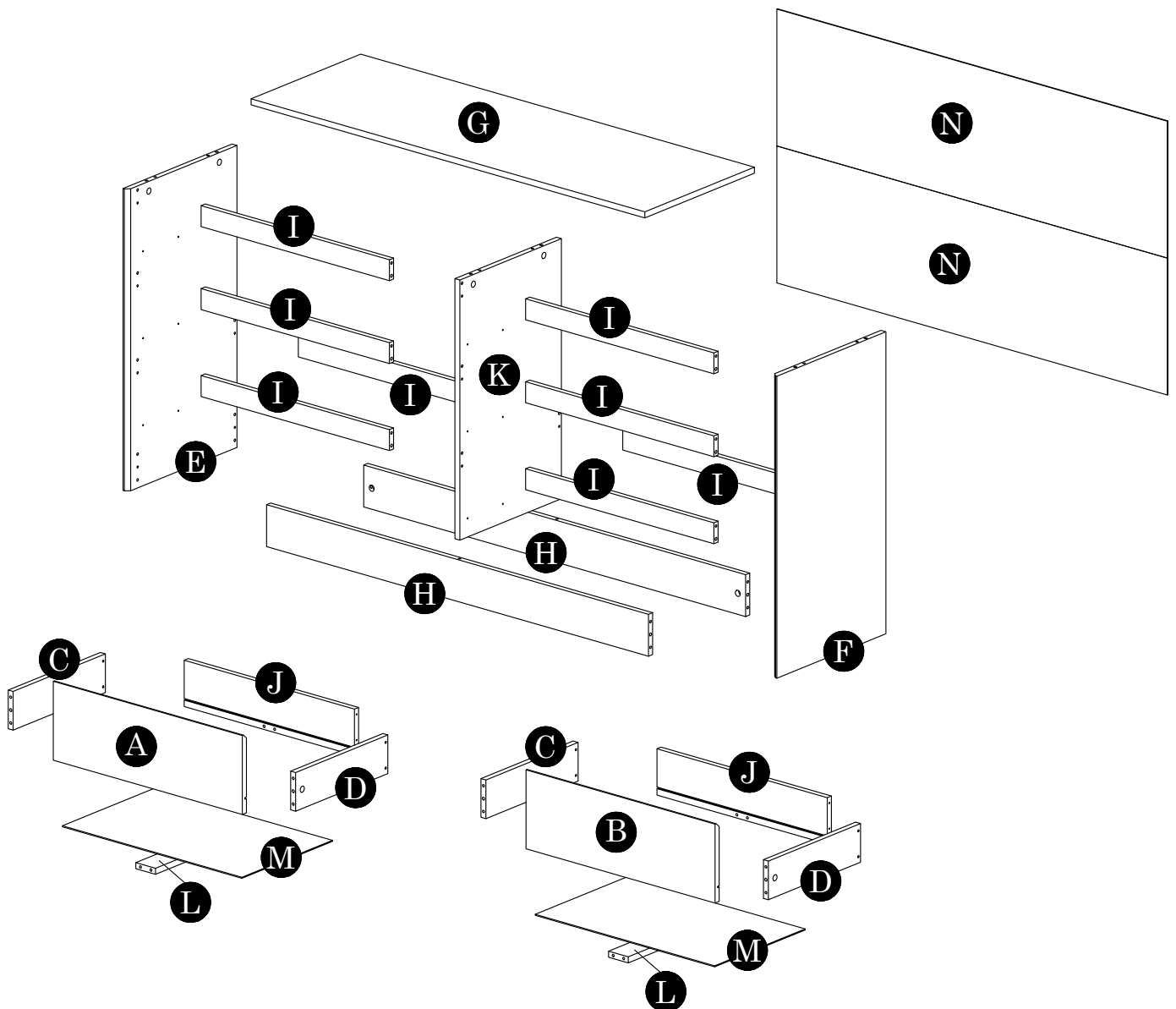
PLEASE READ BEFORE YOU CONTINUE FURTHER

1. MATERIAL USE LAMINATED PARTICLE BOARD, TO CLEAN USE SOFT, DRY CLOTH.
2. DO NOT USE DETERGENT OR CHEMICAL AVOID CONTACT WITH WATER AND DIRECT SUNLIGHT.
3. TO BE ASSEMBLED ON A SOFT, DRY, CLEAN SMOOTH SURFACE.
4. DO NOT USE ANY TOOLS OTHER THAN THOSE SHOWN.
5. USE OF POWER TOOLS TO ASSEMBLE THIS PRODUCT WILL INVALIDATE ANY CLAIM AND MAY DAMAGE THIS PRODUCT MAKING IT UNSAFE.
6. BEFORE STARTING ASSEMBLY PLEASE VERIFY IF ALL PARTS AND HARDWARE ARE INCLUDED.


HARDWARE LIST			QTY (pcs)
DW4		Wood Dowel 6 x 25mm	80
LG1		Leg Pin	6
MF2		Nail	60 (+3)
MN2		Mini Fix 15mm	38 Sets
PF2		Single Plastic Cap	24
SC3		Screw M3.5mm x 14mm	102
SC18		Screw M4mm x 38mm	24
SL7		Drawer Metal Slide 350mm	6 Sets

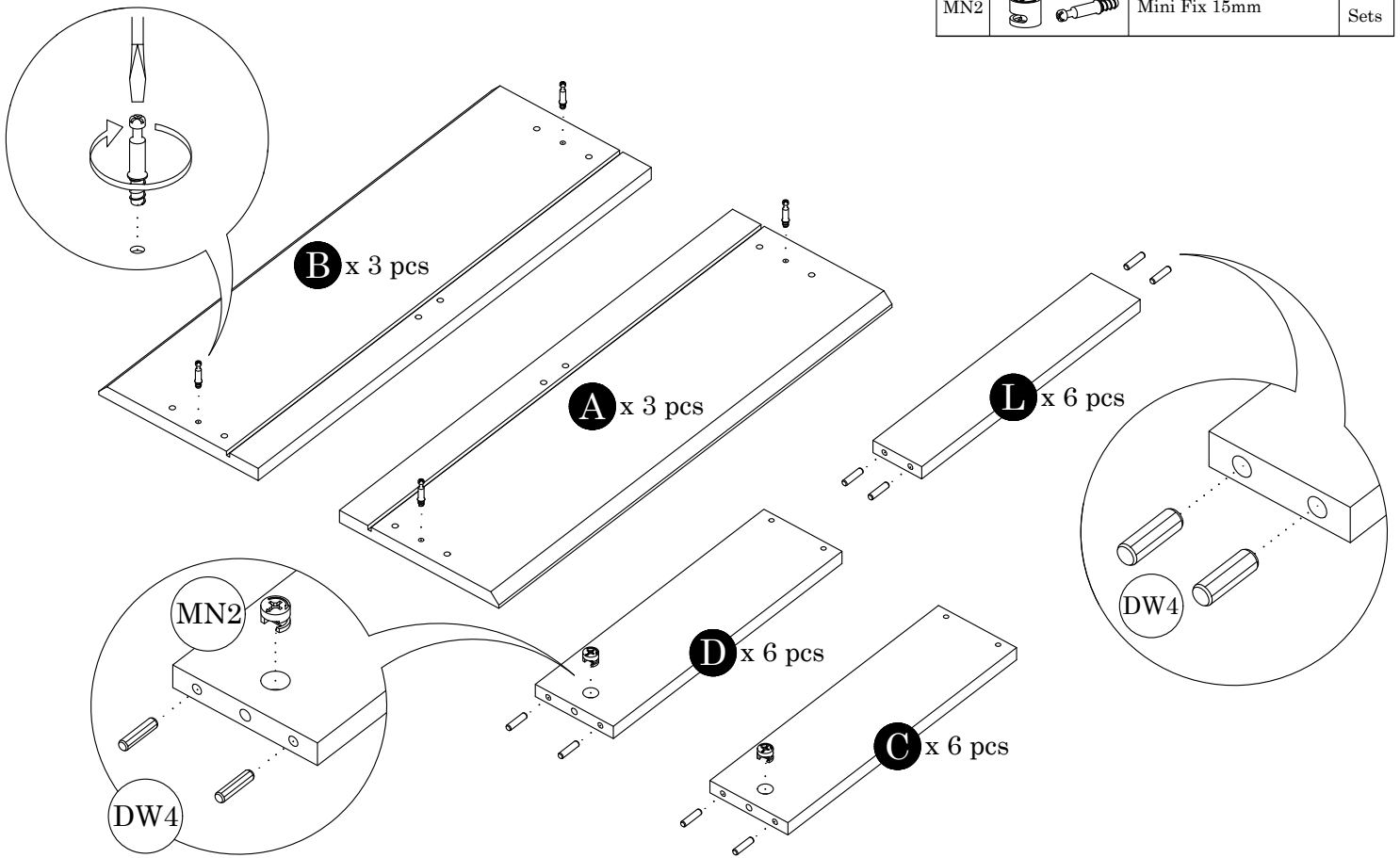


Parts List		QTY
A	Drawer Front Panel (L)	3 pcs
B	Drawer Front Panel (R)	3 pcs
C	Drawer Side Panel (L)	6 pcs
D	Drawer Side Panel (R)	6 pcs
E	Side Panel (L)	1 pc
F	Side Panel (R)	1 pc
G	Top Panel	1 pc
H	Bottom Crossbar	2 pcs
I	Small Crossbar	8 pcs
J	Drawer Back Board	6 pcs
K	Center Panel	1 pc
L	Drawer Crossbar	6 pcs
M	Drawer Bottom Panel	6 pcs
N	Backboard	2 pcs

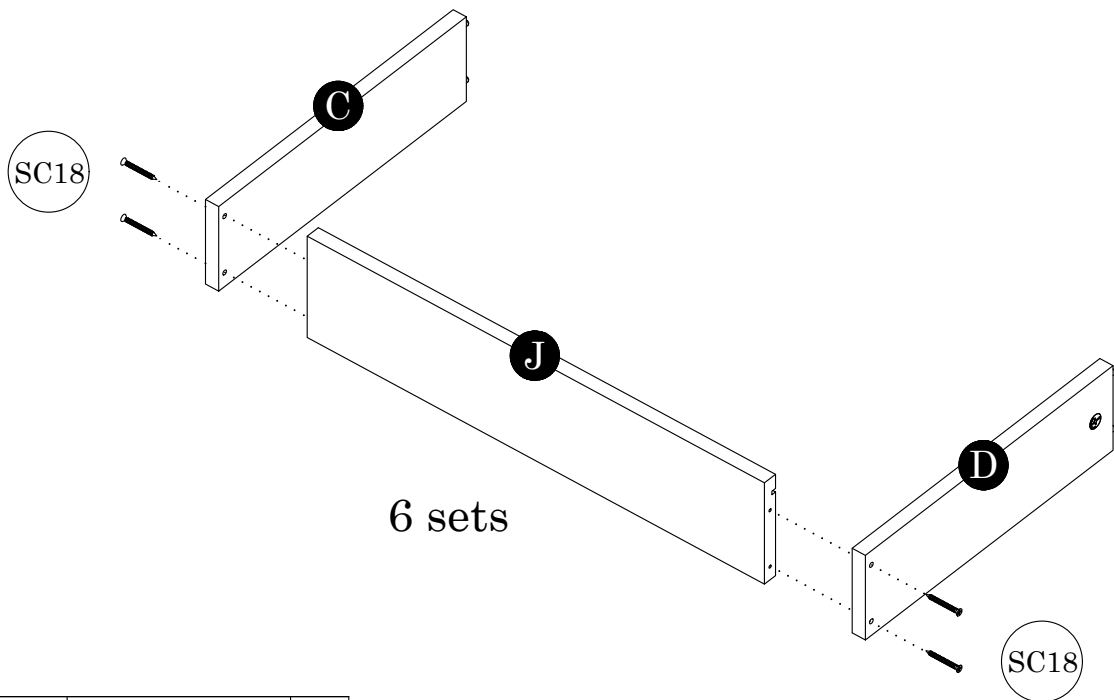


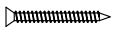
STEP 1

DW4		Wood Dowel 6 x 25mm	48
MN2		Mini Fix 15mm	12 Sets



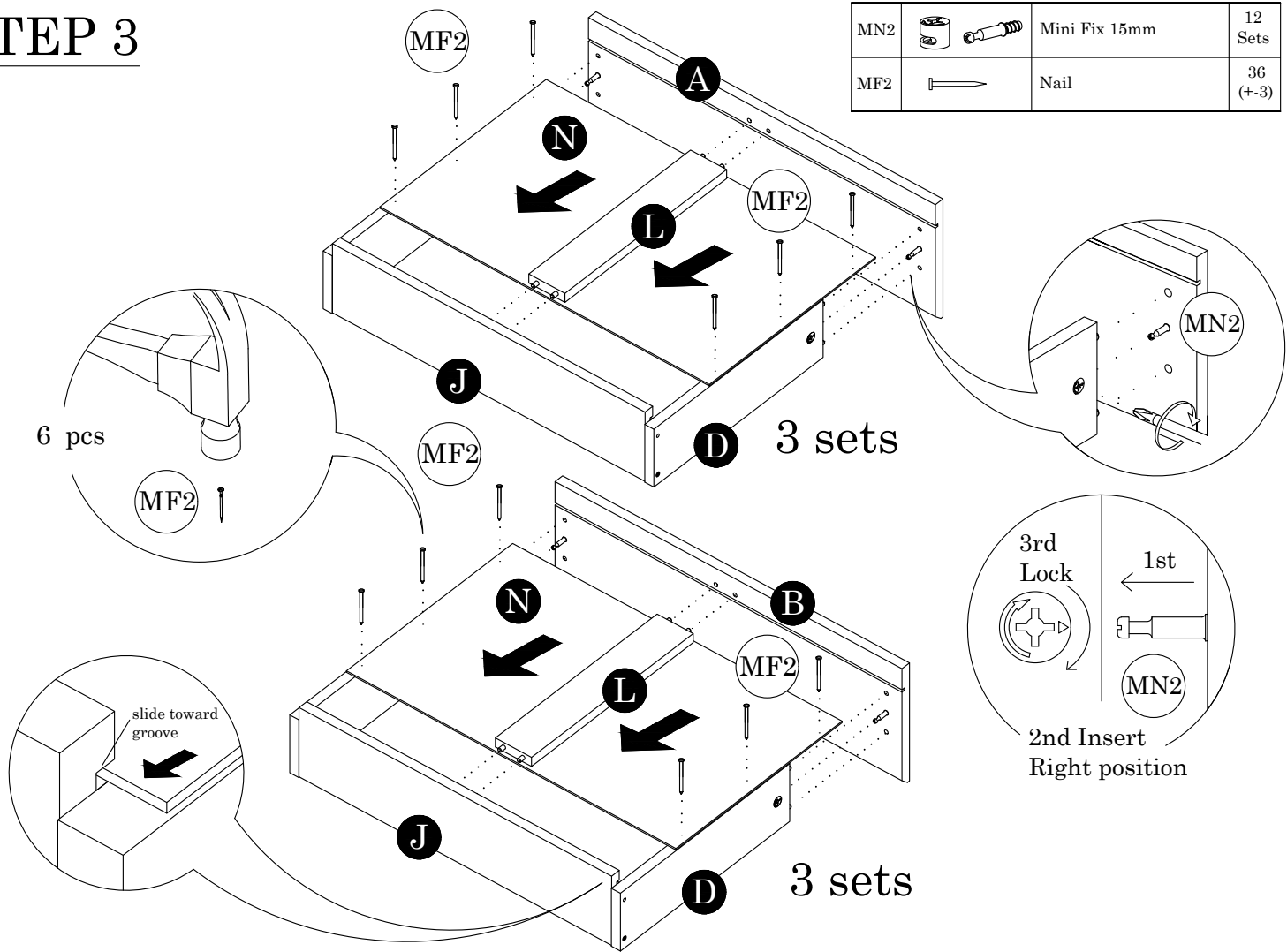
STEP 2



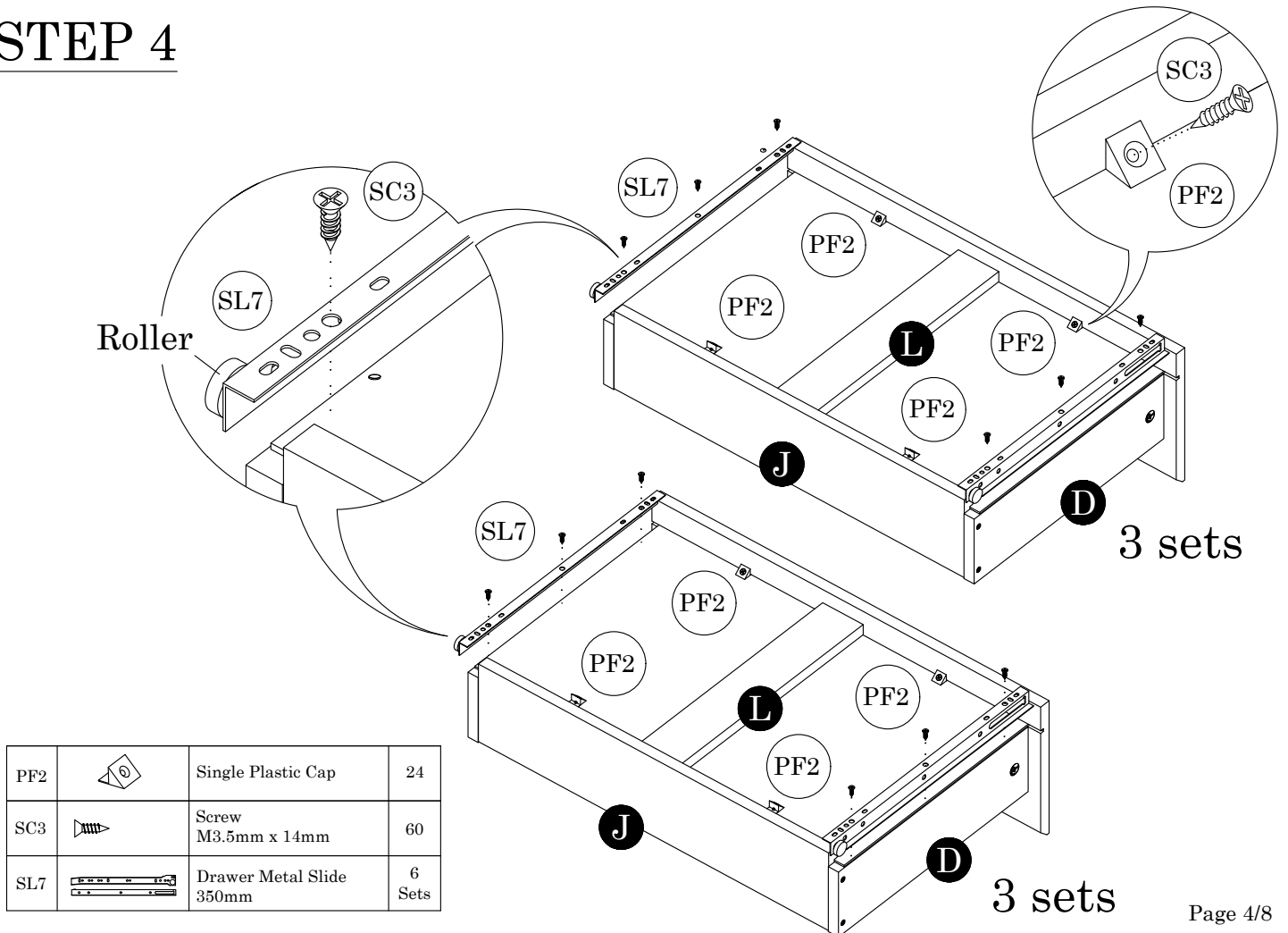
SC18		Screw M4 x 38mm	24
------	---	--------------------	----




STEP 3

MN2		Mini Fix 15mm	12 Sets
MF2		Nail	36 (+-3)

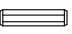




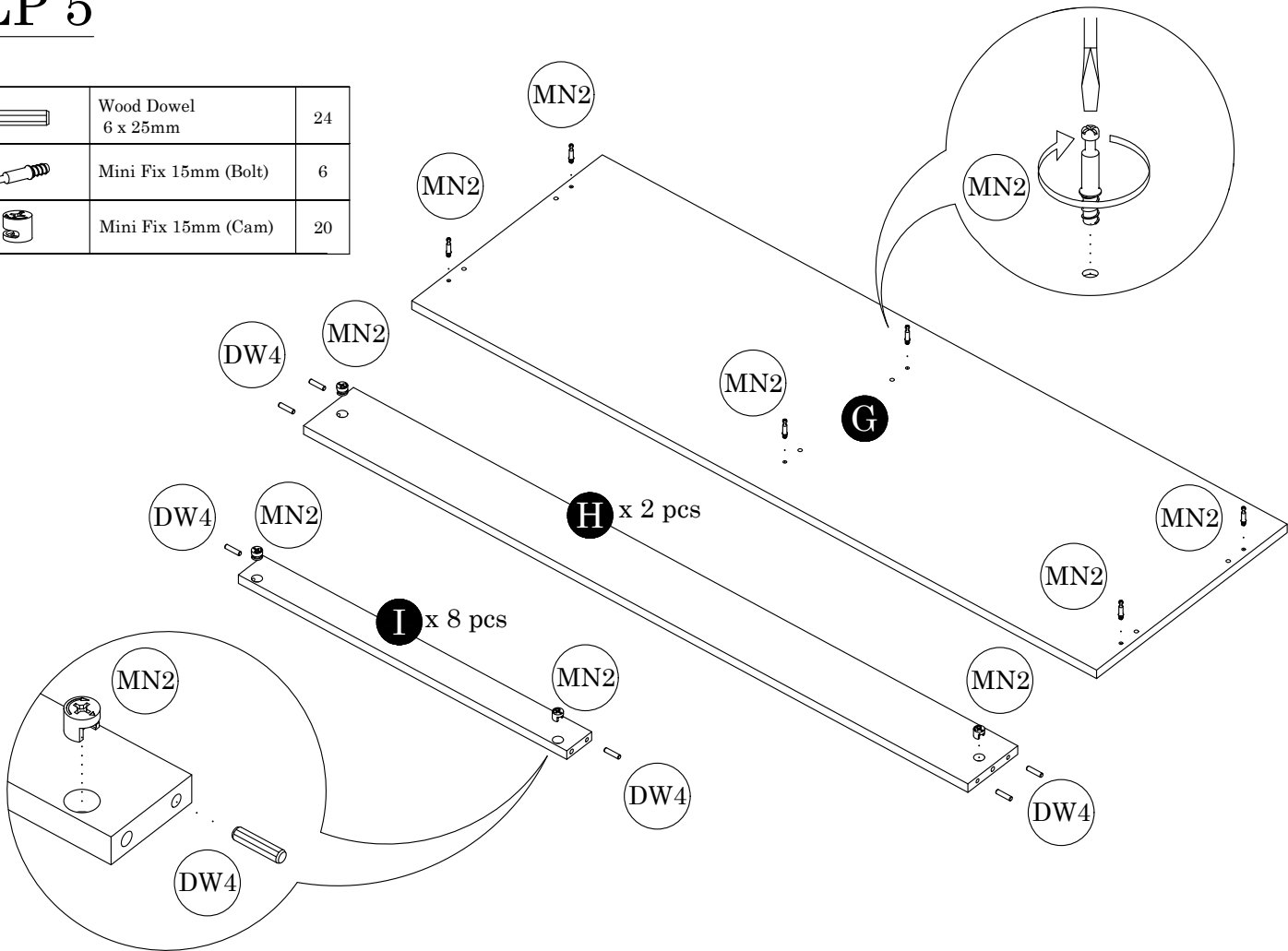
STEP 4



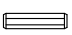




PF2		Single Plastic Cap	24
SC3		Screw M3.5mm x 14mm	60
SL7		Drawer Metal Slide 350mm	6 Sets

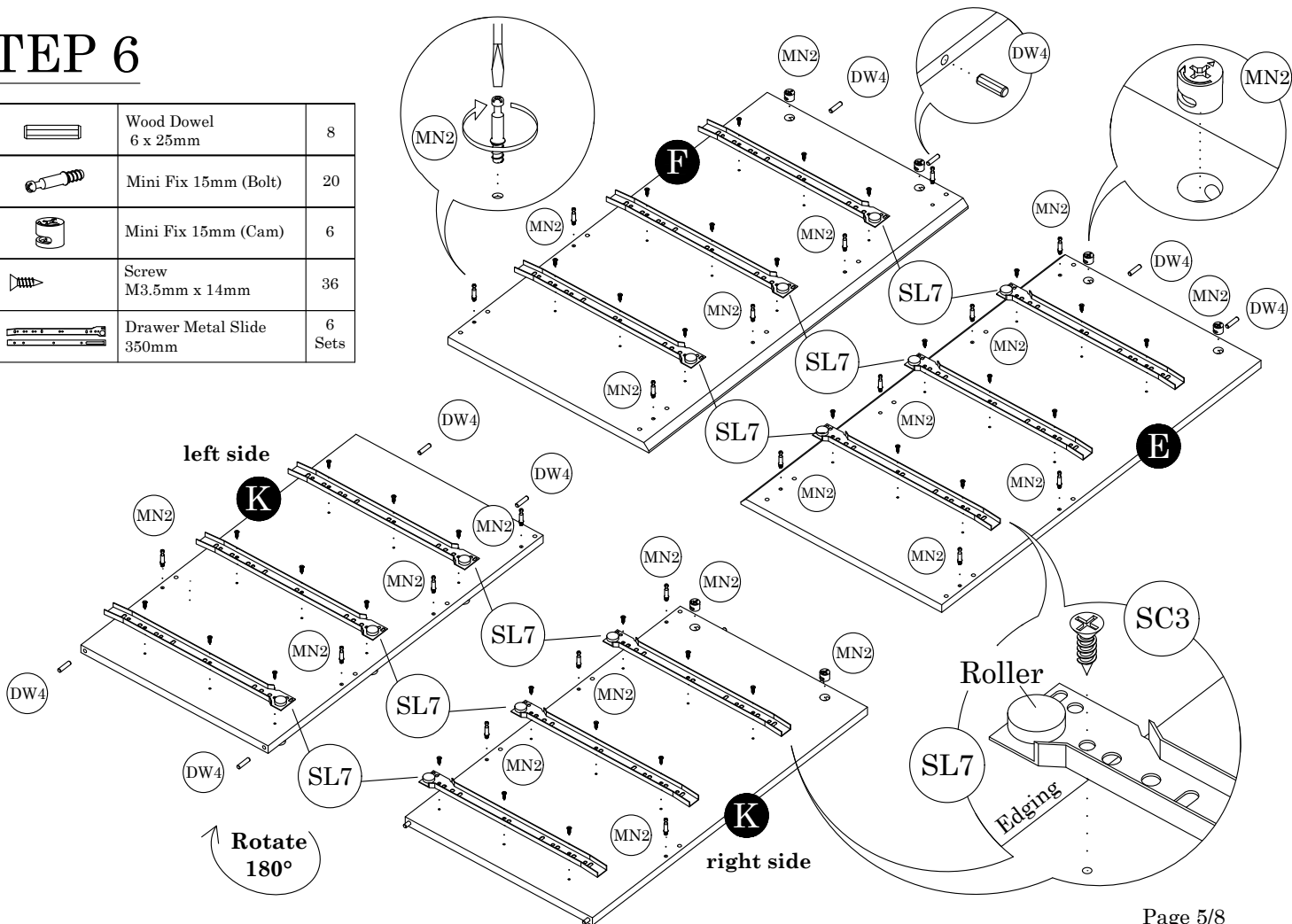
STEP 5

DW4		Wood Dowel 6 x 25mm	24
MN2		Mini Fix 15mm (Bolt)	6
MN2		Mini Fix 15mm (Cam)	20



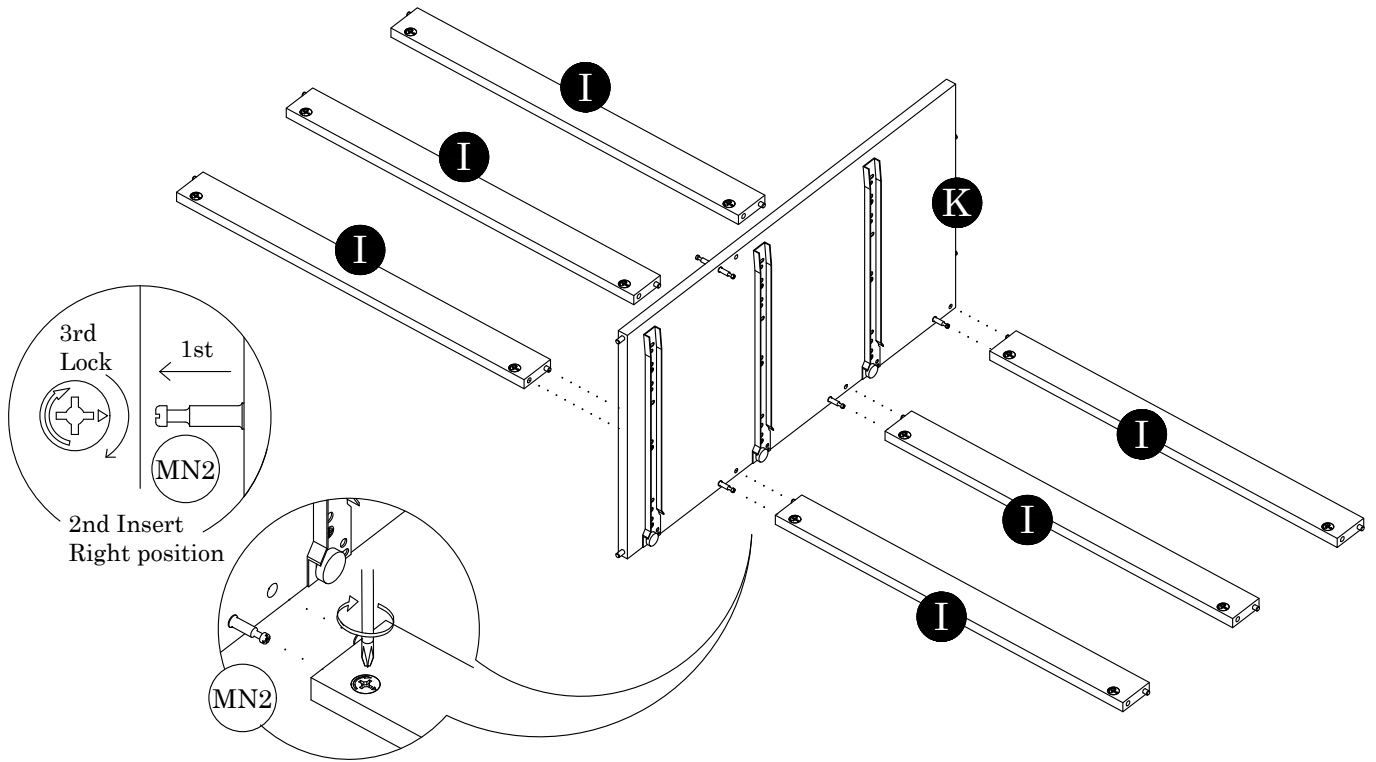
STEP 6

DW4		Wood Dowel 6 x 25mm	8
MN2		Mini Fix 15mm (Bolt)	20
MN2		Mini Fix 15mm (Cam)	6
SC3		Screw M3.5mm x 14mm	36
SL7		Drawer Metal Slide 350mm	6 Sets

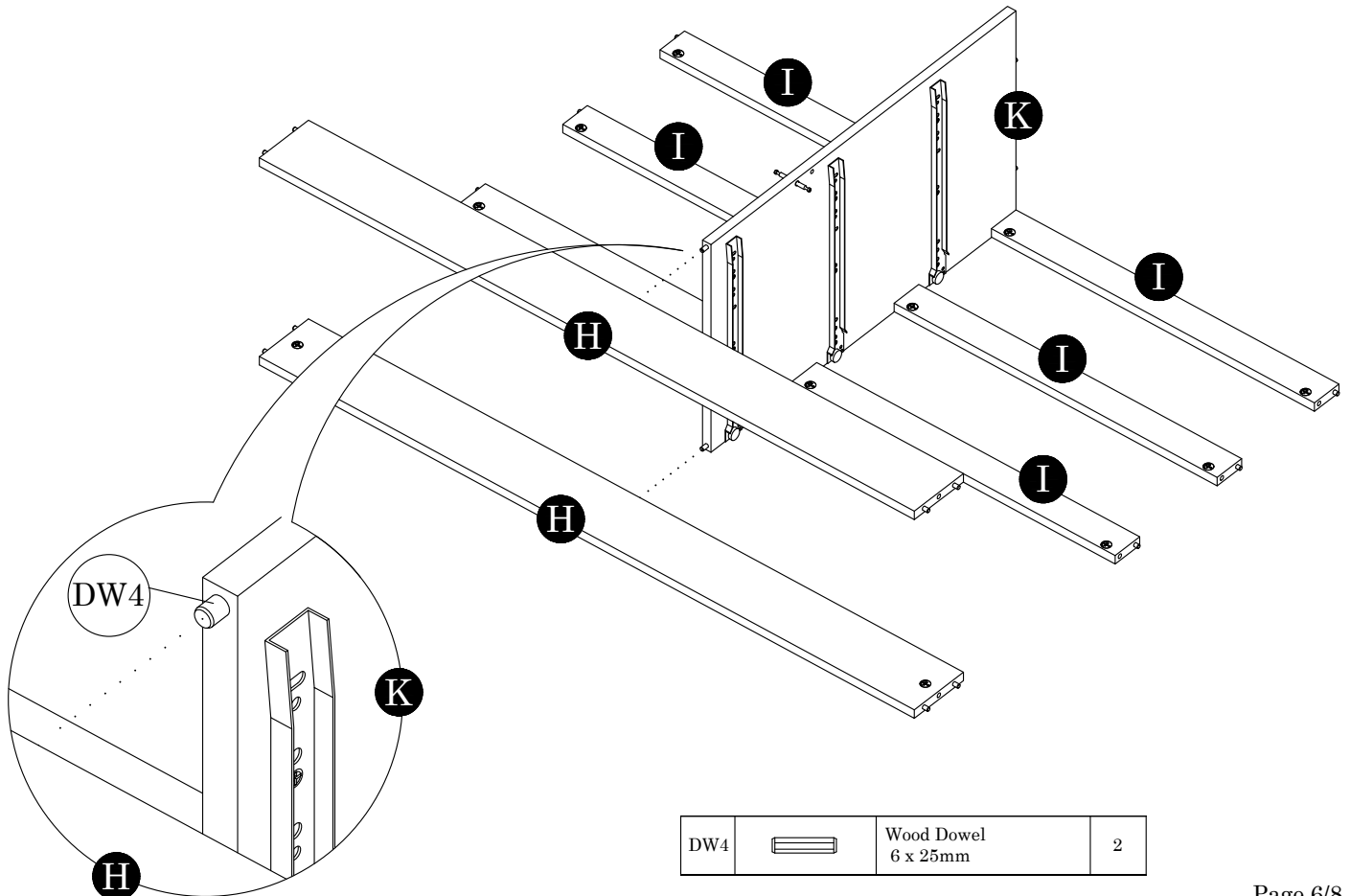



STEP 7

MN2		Mini Fix 15mm	6 Sets
-----	---	---------------	--------

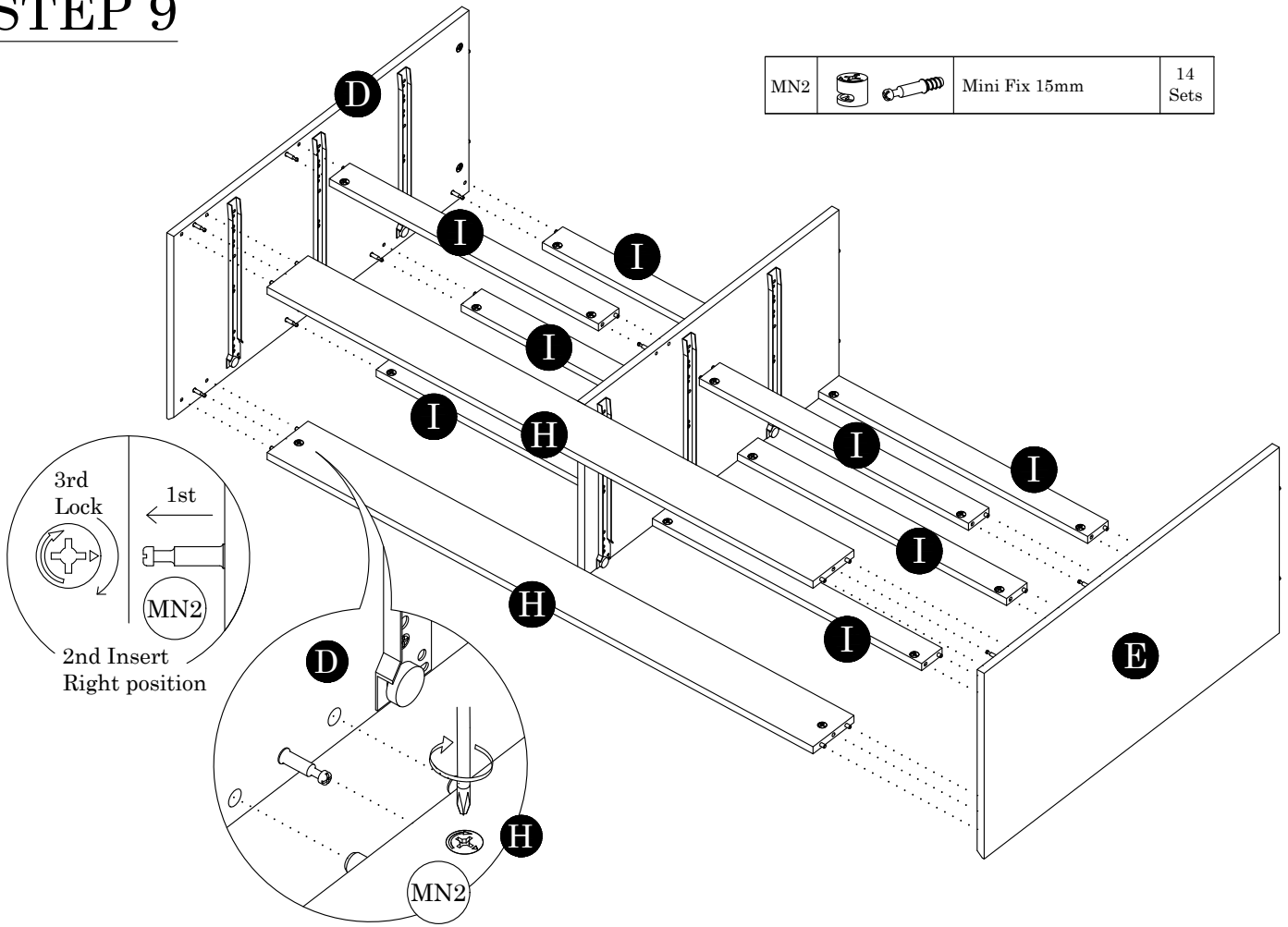


STEP 8



DW4		Wood Dowel 6 x 25mm	2
-----	---	------------------------	---

STEP 9



STEP 10

