

ASSEMBLY INSTRUCTIONS

MOOK Mirror

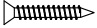
826-010

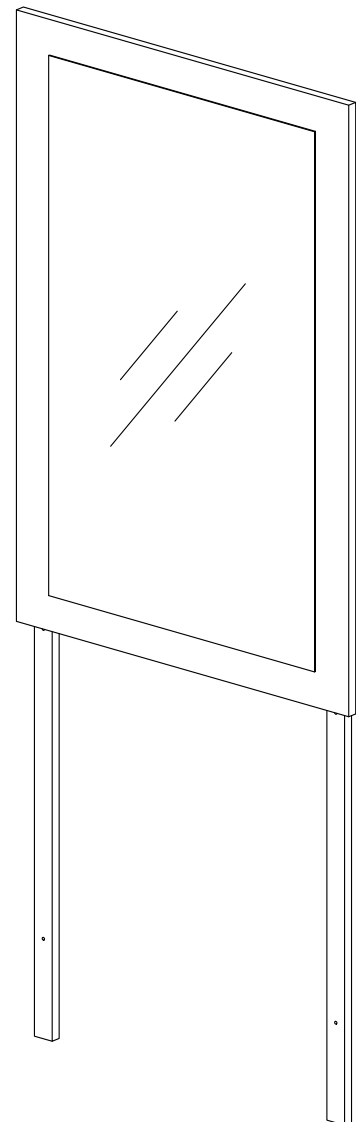


IMPORTANT

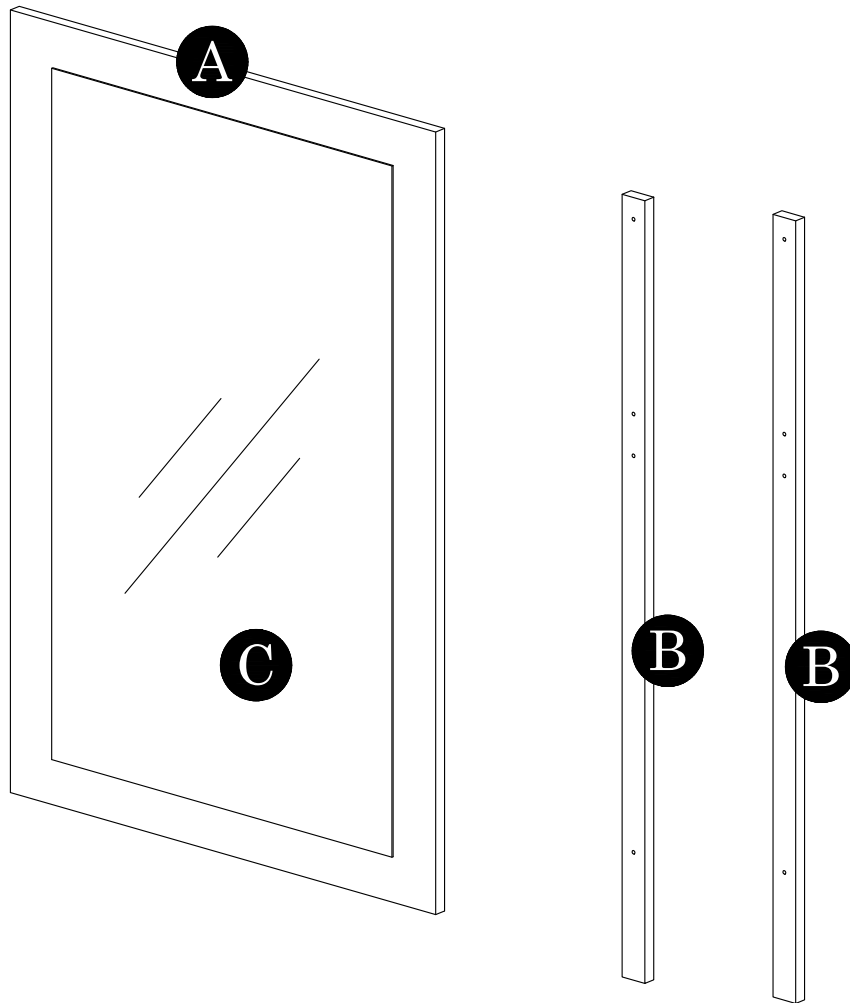
PLEASE READ BEFORE YOU CONTINUE FURTHER

1. MATERIAL USE LAMINATED PARTICLE BOARD, TO CLEAN USE SOFT, DRY CLOTH.
2. DO NOT USE DETERGENT OR CHEMICAL AVOID CONTACT WITH WATER AND DIRECT SUNLIGHT.
3. TO BE ASSEMBLED ON A SOFT, DRY, CLEAN SMOOTH SURFACE.
4. DO NOT USE ANY TOOLS OTHER THAN THOSE SHOWN.
5. USE OF POWER TOOLS TO ASSEMBLE THIS PRODUCT WILL INVALIDATE ANY CLAIM AND MAY DAMAGE THIS PRODUCT MAKING IT UNSAFE.
6. BEFORE STARTING ASSEMBLY PLEASE VERIFY IF ALL PARTS AND HARDWARE ARE INCLUDED.

HARDWARE LIST			QTY (pcs)
SC11		Screw M4 x 25mm	8

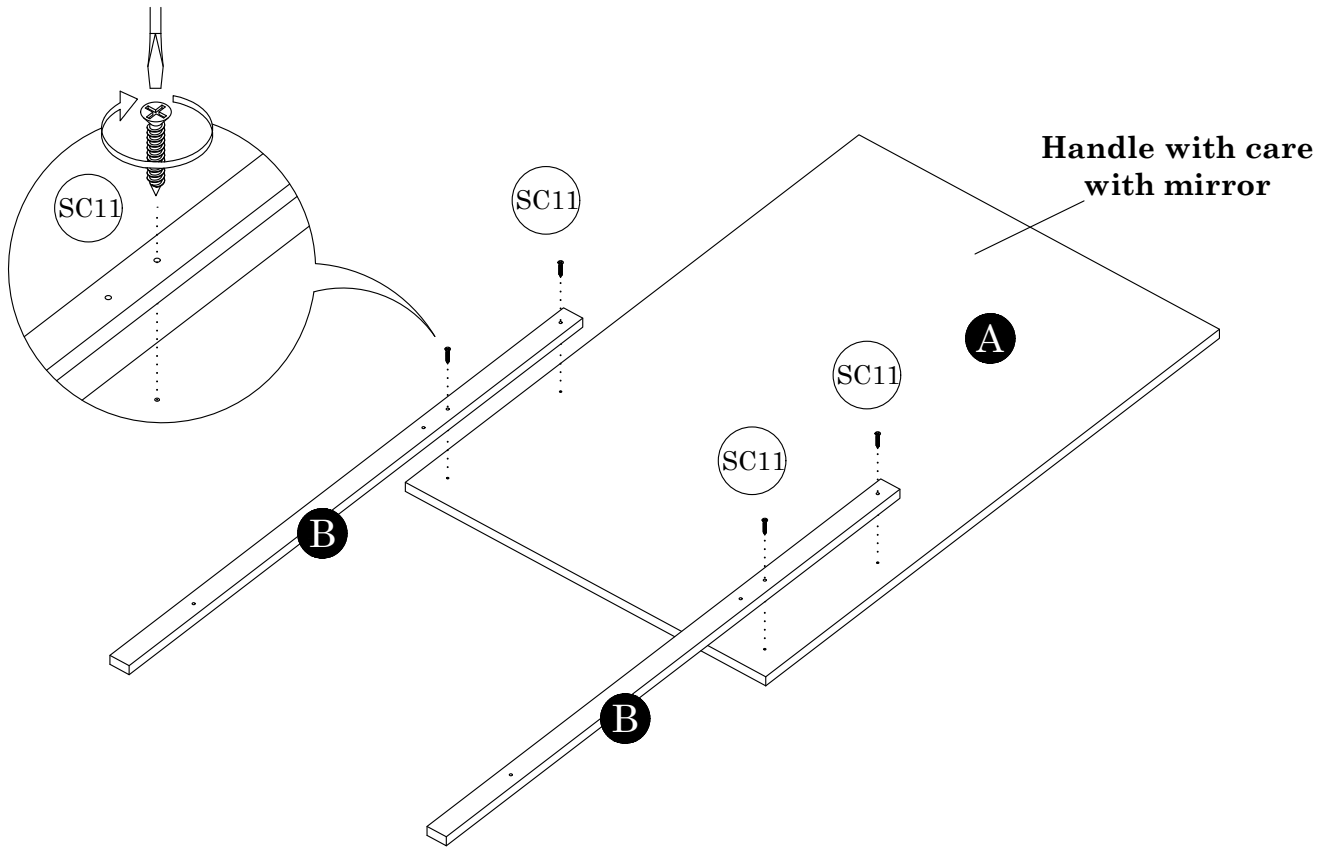


Parts List		QTY
A	Mirror Back Panel	1 pc
B	Wood	2 pcs
C	Mirror	1 pc




STEP 1

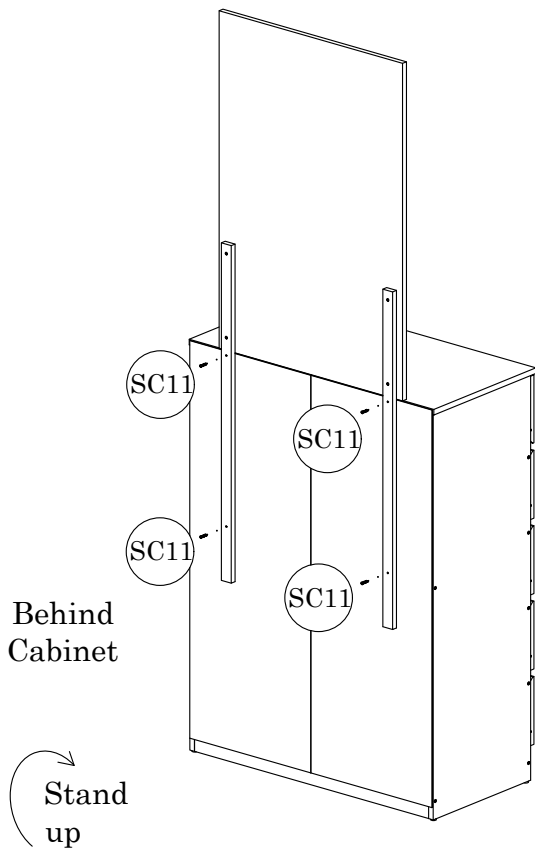
SC11		Screw M4 x 25mm	4
------	---	-----------------	---



STEP 2

* Handle with care to attach a mirror panel at top cabinet. *

SC11		Screw M4 x 25mm	4
------	---	-----------------	---



OR

