

ASSEMBLY INSTRUCTIONS

MOOK 1-Drawer Bedside Table







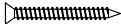
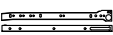
826-012

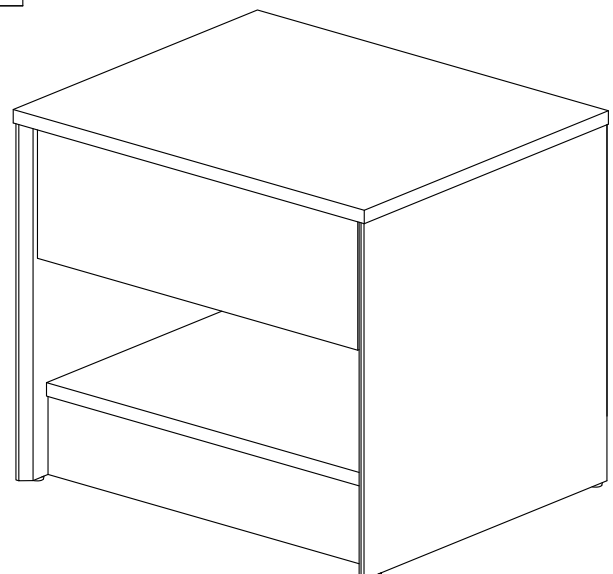


IMPORTANT

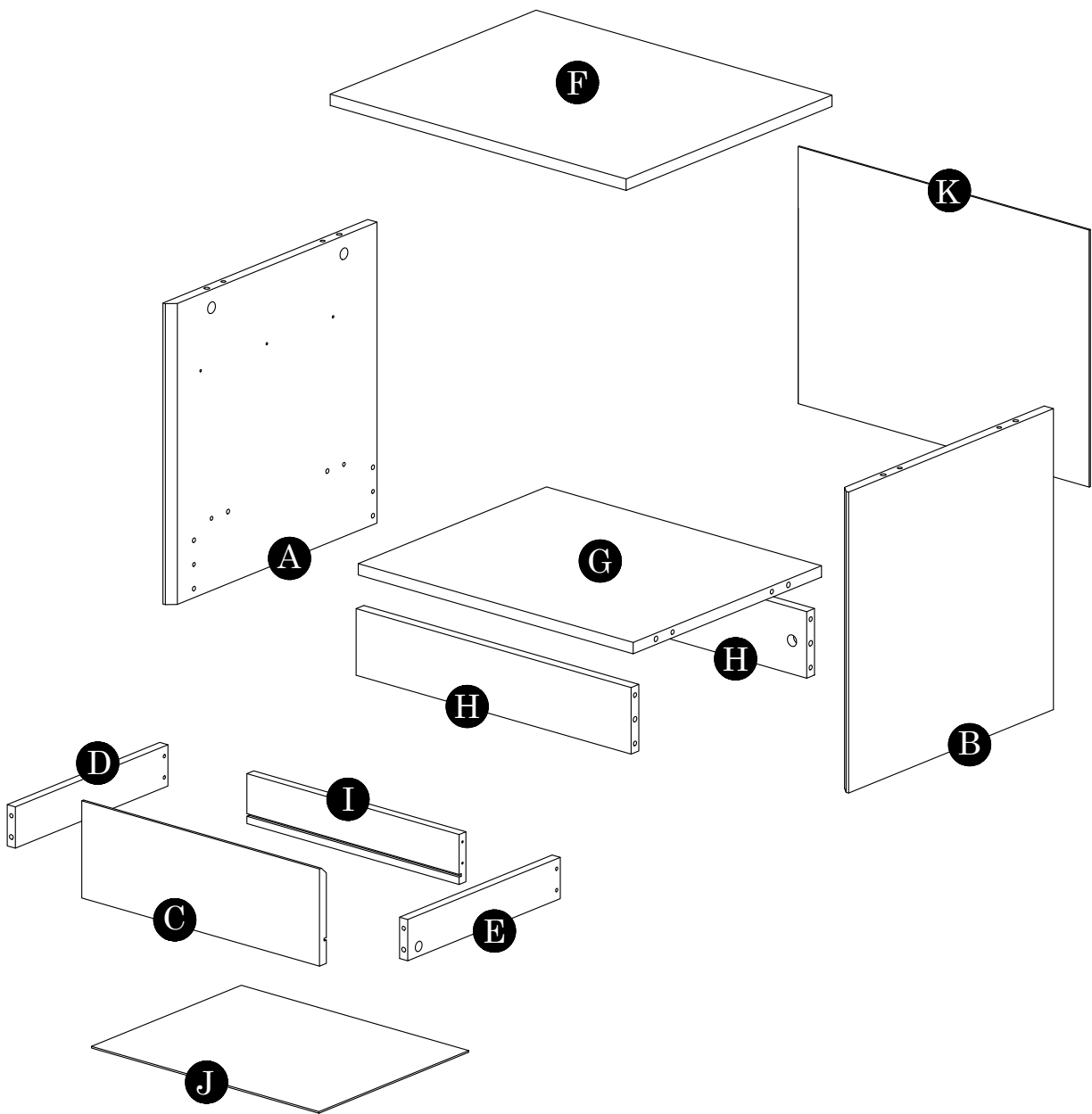
PLEASE READ BEFORE YOU CONTINUE FURTHER

1. MATERIAL USE LAMINATED PARTICLE BOARD, TO CLEAN USE SOFT, DRY CLOTH.
2. DO NOT USE DETERGENT OR CHEMICAL AVOID CONTACT WITH WATER AND DIRECT SUNLIGHT.
3. TO BE ASSEMBLED ON A SOFT, DRY, CLEAN SMOOTH SURFACE.
4. DO NOT USE ANY TOOLS OTHER THAN THOSE SHOWN.
5. USE OF POWER TOOLS TO ASSEMBLE THIS PRODUCT WILL INVALIDATE ANY CLAIM AND MAY DAMAGE THIS PRODUCT MAKING IT UNSAFE.
6. BEFORE STARTING ASSEMBLY PLEASE VERIFY IF ALL PARTS AND HARDWARE ARE INCLUDED.

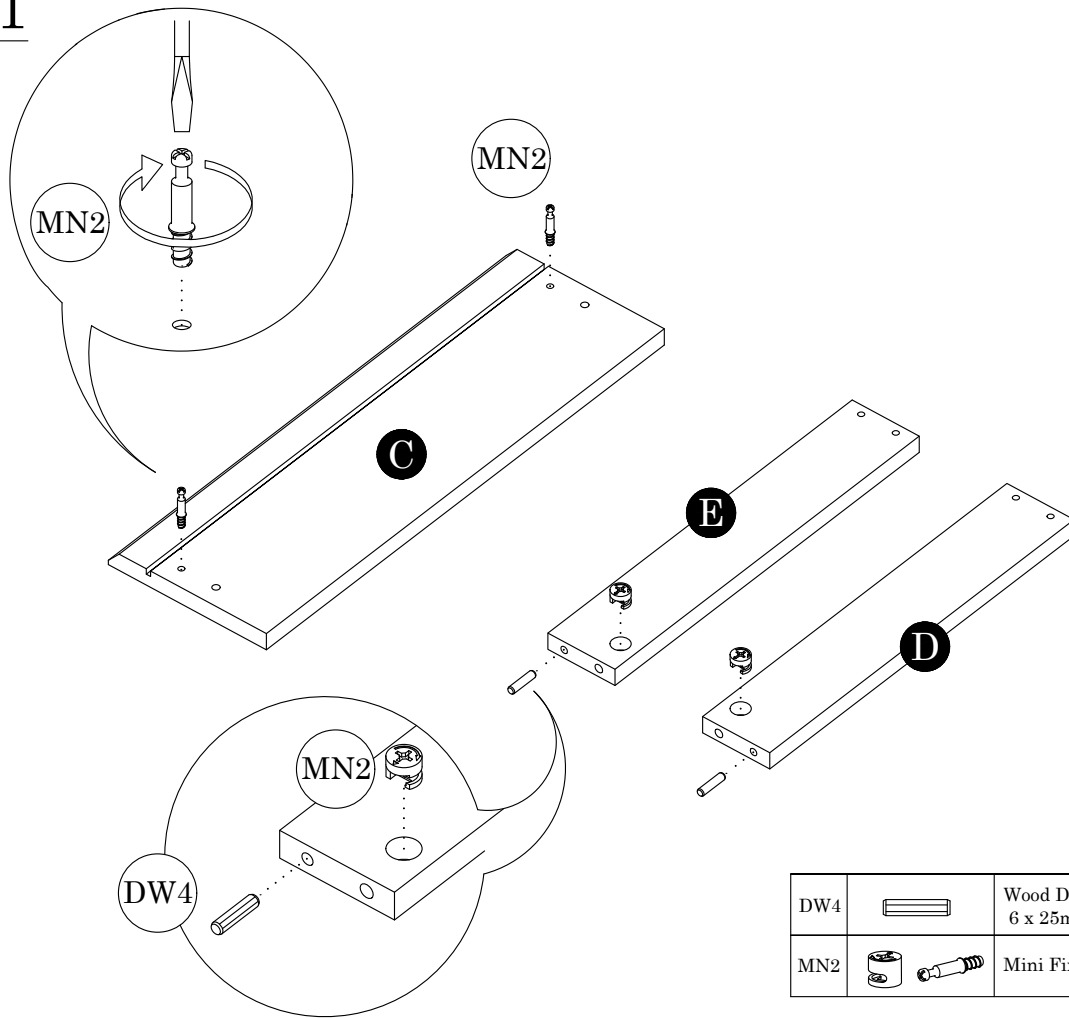
HARDWARE LIST			QTY (pcs)
DW4		Wood Dowel 6 x 25mm	18
LG1		Leg Pin	4
MF2		Nail	25 (+3)
MN2		Mini Fix 15mm	14 Sets
PF2		Single Plastic Cap	4
SC3		Screw M3.5mm x 14mm	18
SC18		Screw M4mm x 38mm	4
SL7		Drawer Metal Slide 350mm	1 Set



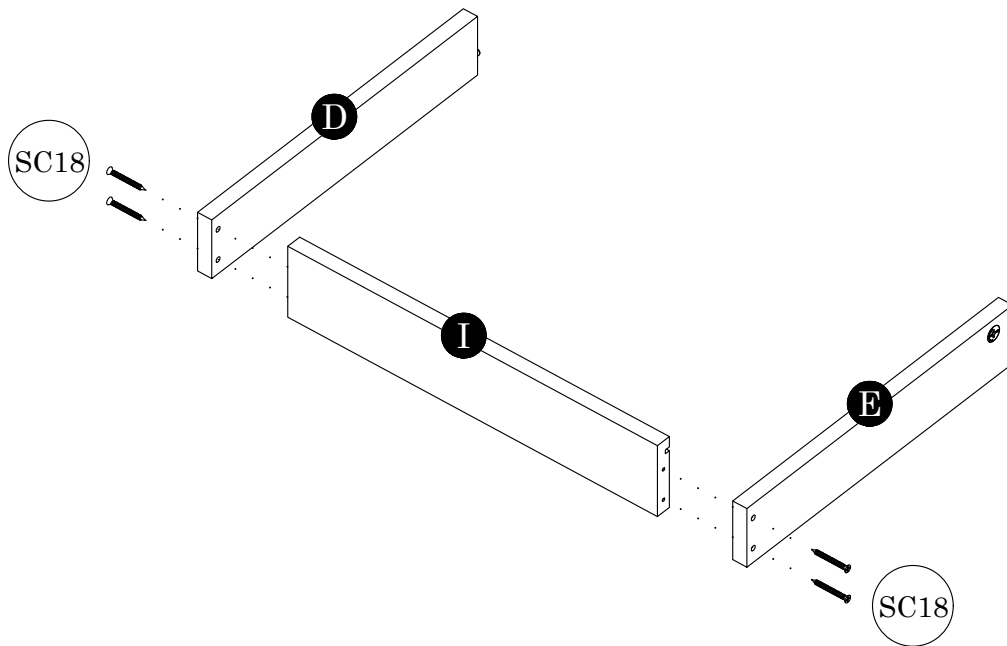
Parts List		QTY
A	Side Panel (L)	1 pc
B	Side Panel (R)	1 pc
C	Drawer Front Panel	1 pc
D	Drawer Side Panel (L)	1 pc
E	Drawer Side Panel (R)	1 pc
F	Top Panel	1 pc
G	Bottom Panel	1 pc
H	Bottom Crossbar	2 pcs
I	Drawer Back Board	1 pc
J	Drawer Bottom Panel	1 pc
K	Backboard	1 pc



STEP 1

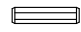

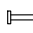


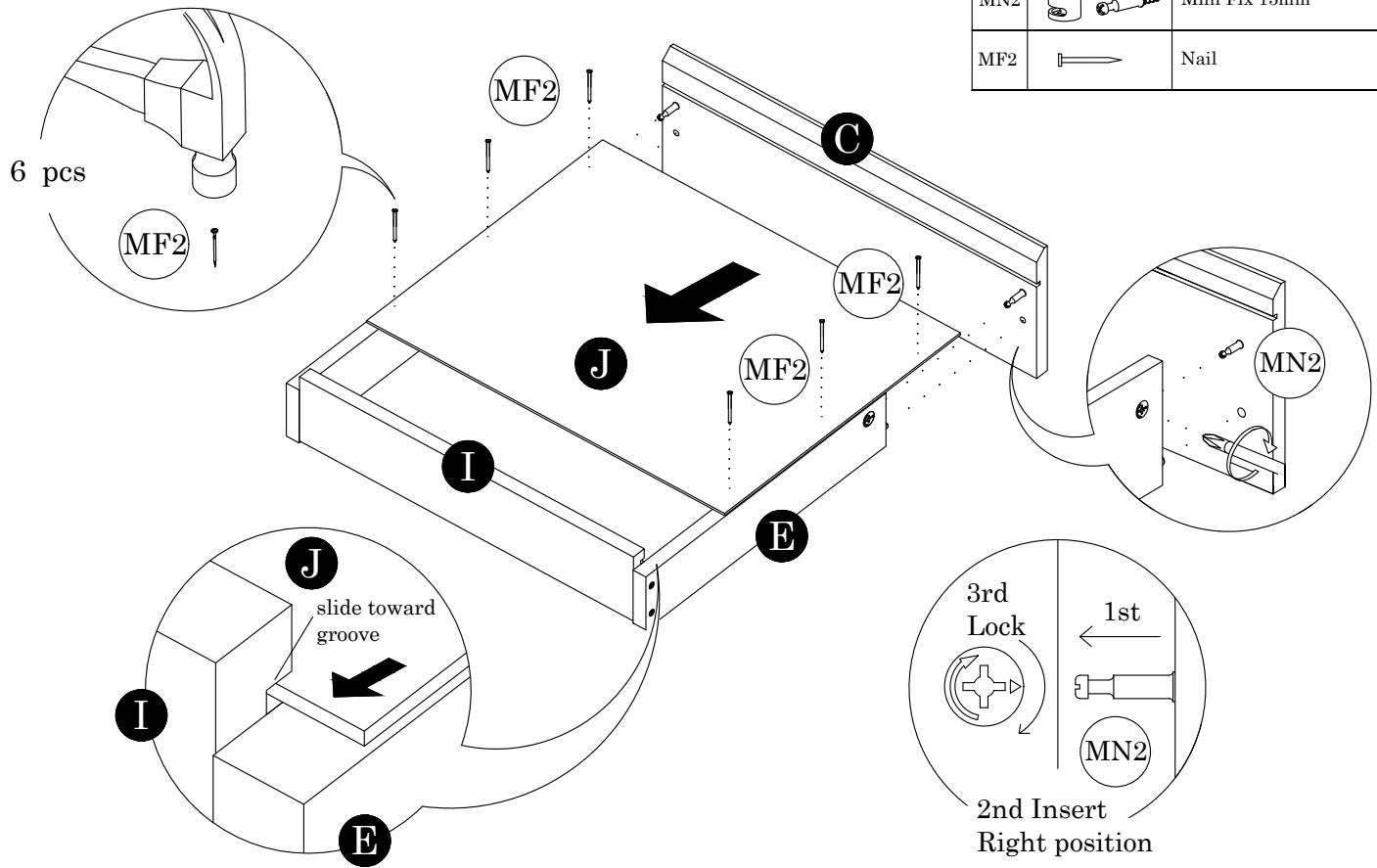
STEP 2



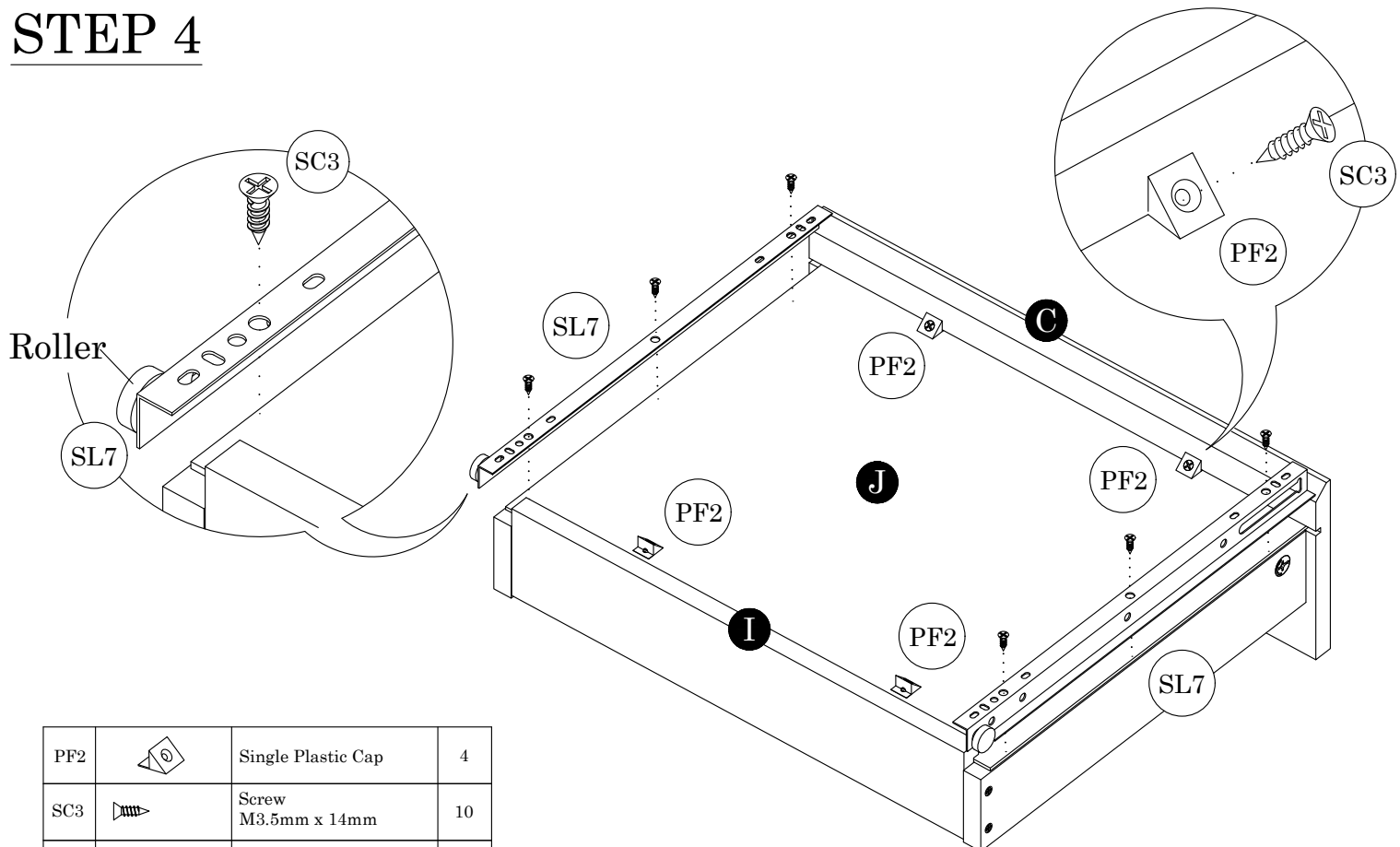
SC18		Screw M4 x 38mm	4
------	--	--------------------	---


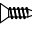

STEP 3

DW4		Wood Dowel 6 x 25mm	2
MN2		Mini Fix 15mm	2 Sets
MF2		Nail	6 (+-3)






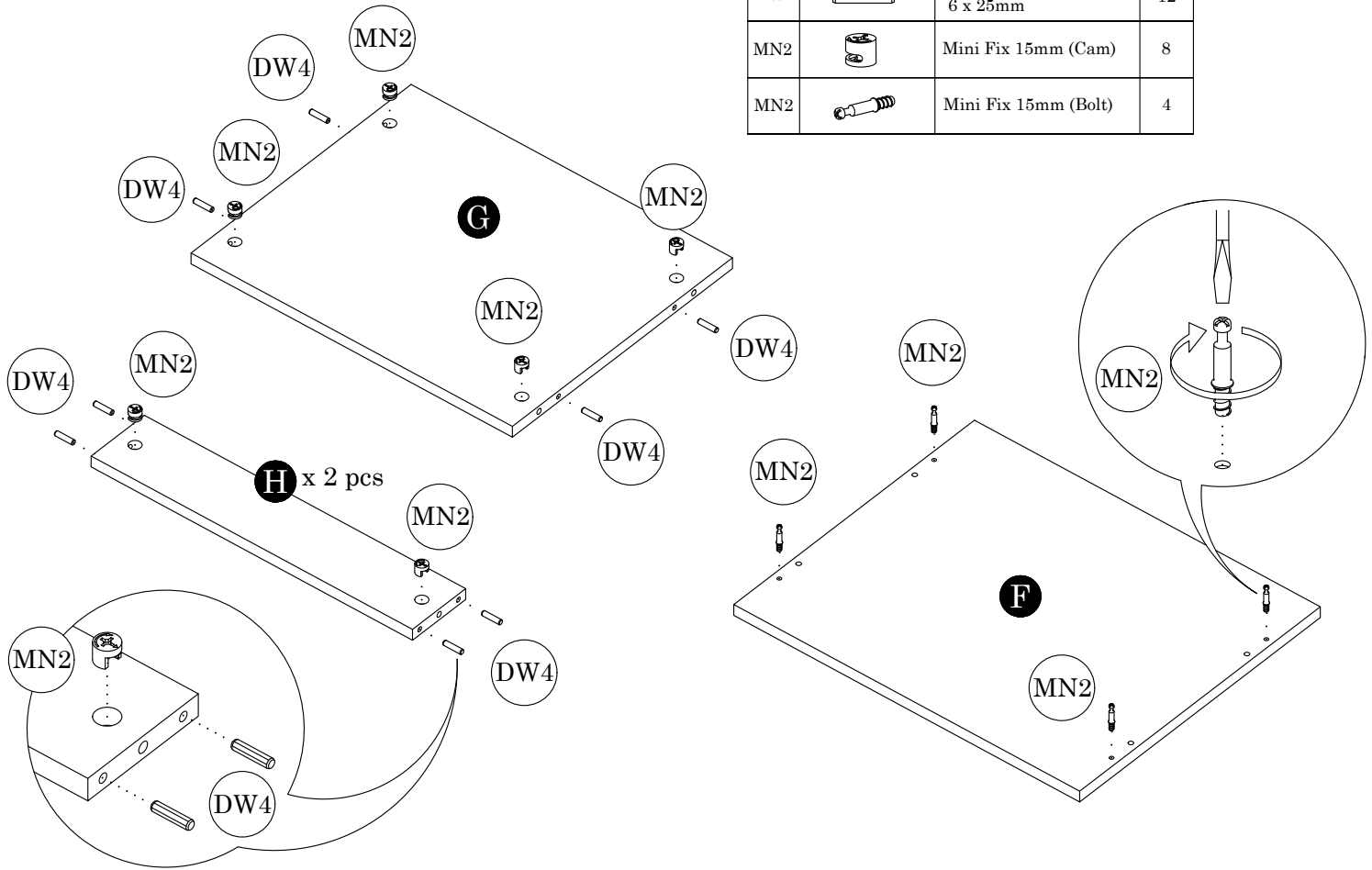
STEP 4



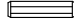

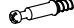
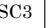

PF2		Single Plastic Cap	4
SC3		Screw M3.5mm x 14mm	10
SL7		Drawer Metal Slide 350mm	1 Set

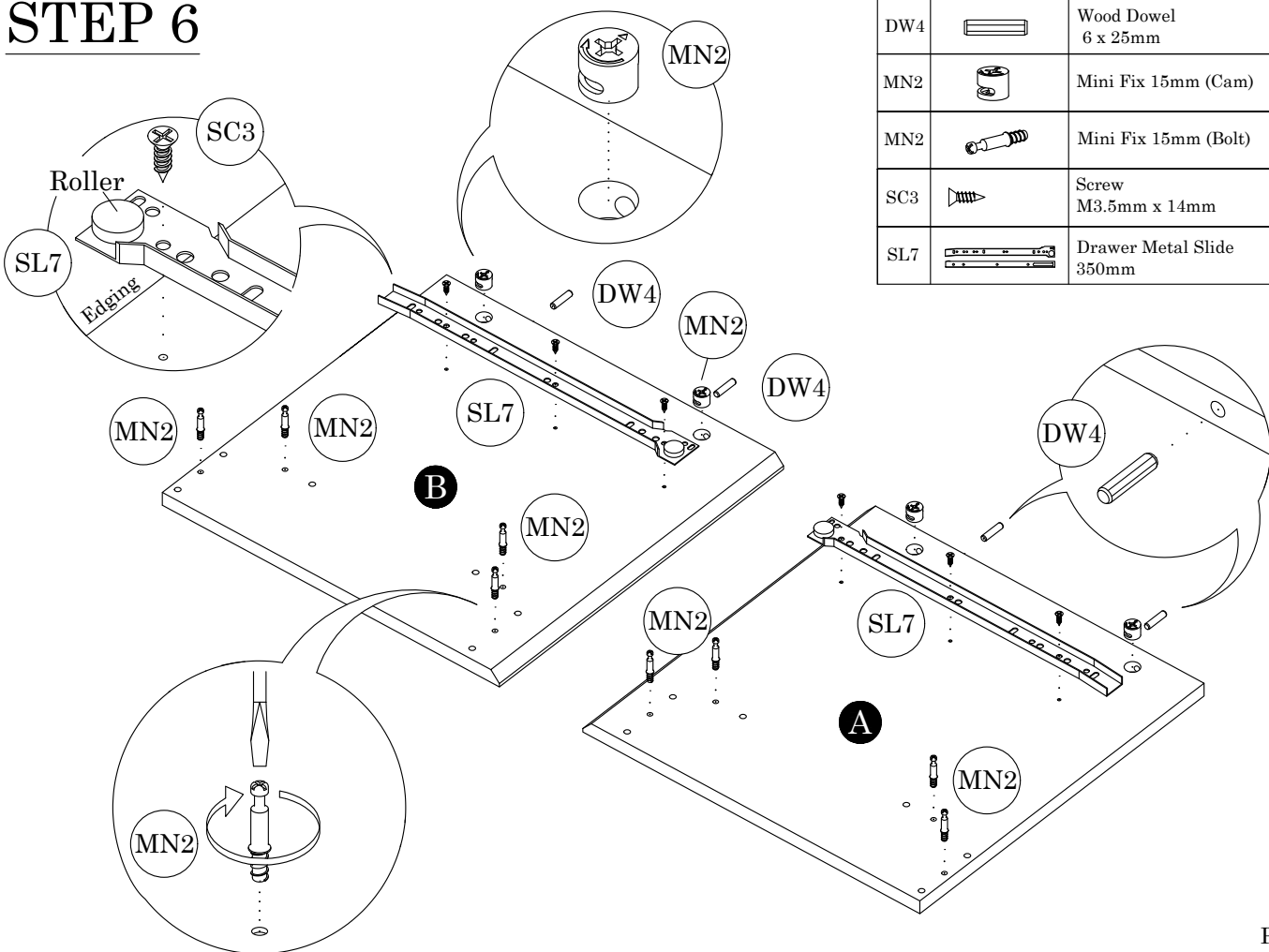
STEP 5

DW4		Wood Dowel 6 x 25mm	12
MN2		Mini Fix 15mm (Cam)	8
MN2		Mini Fix 15mm (Bolt)	4



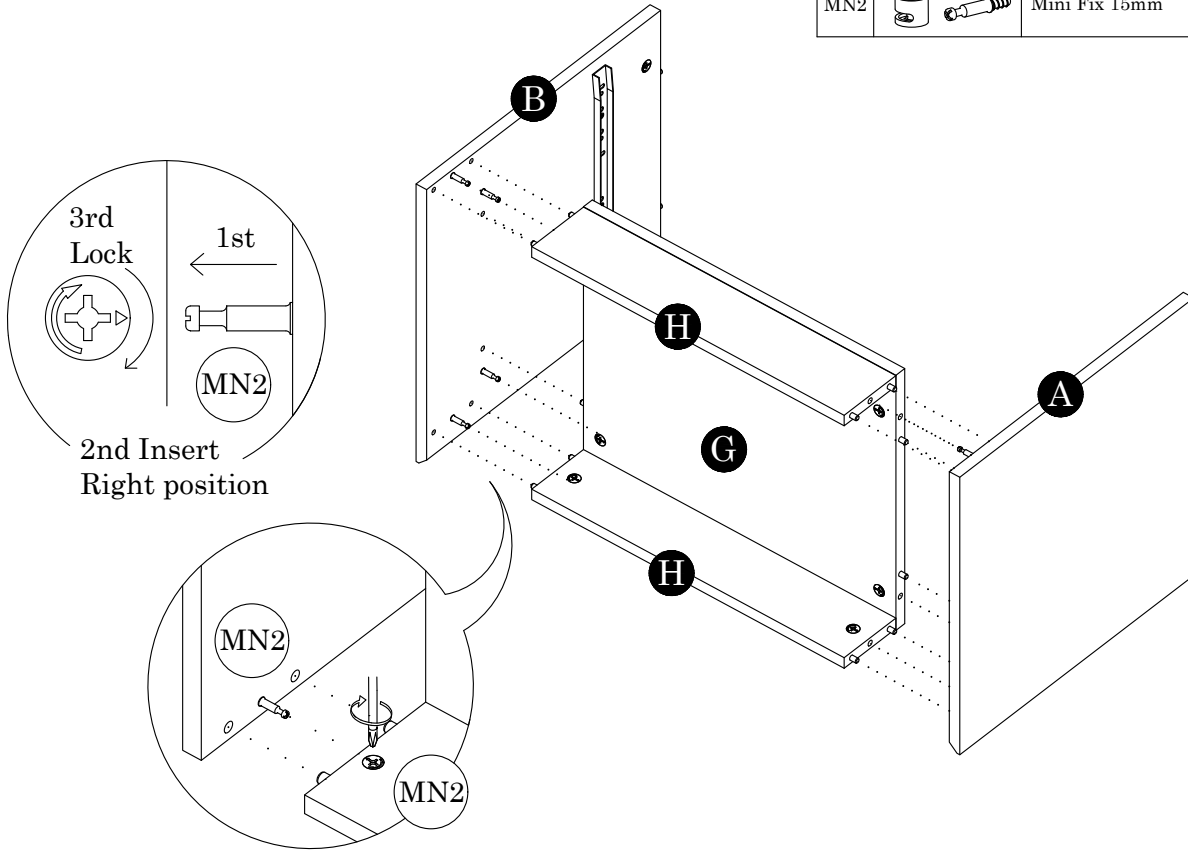
STEP 6

DW4		Wood Dowel 6 x 25mm	4
MN2		Mini Fix 15mm (Cam)	4
MN2		Mini Fix 15mm (Bolt)	8
SC3		Screw M3.5mm x 14mm	6
SL7		Drawer Metal Slide 350mm	1 Set

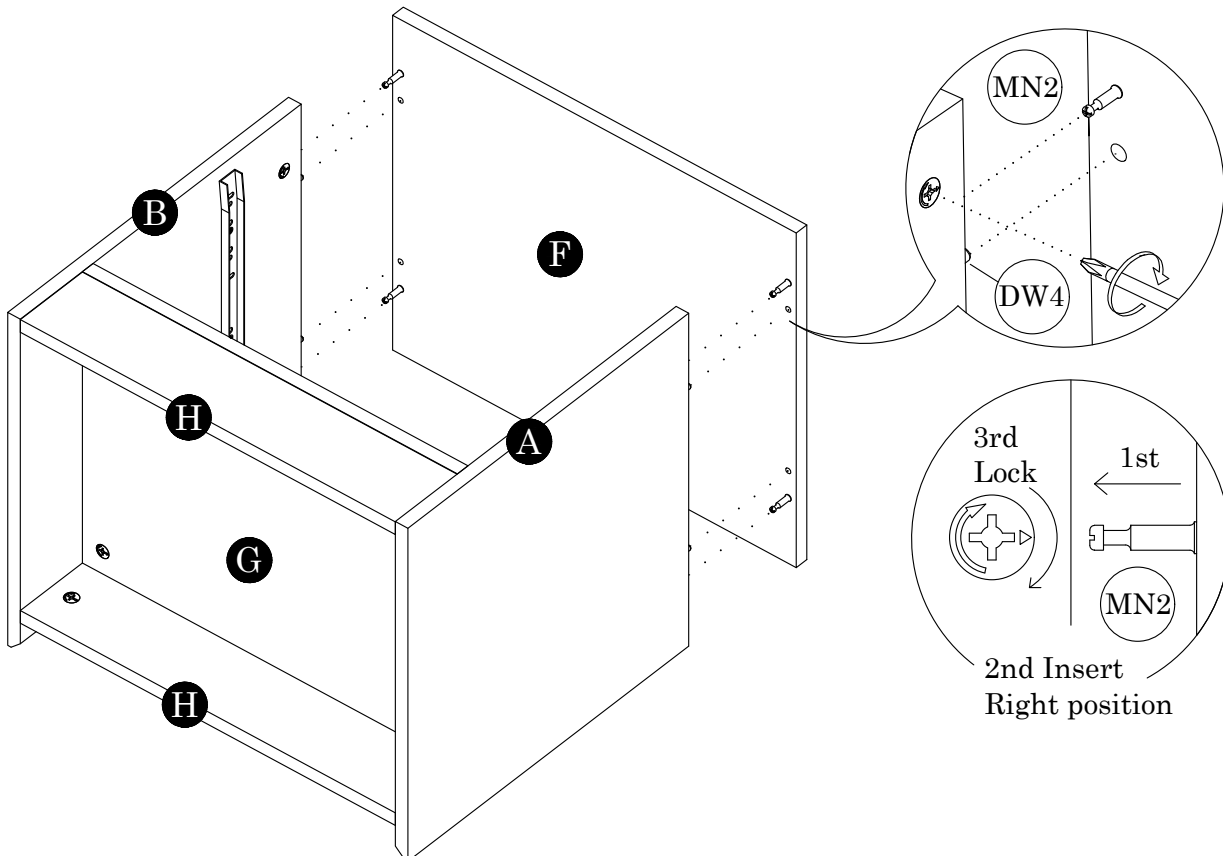


STEP 7

MN2		Mini Fix 15mm	8 Sets
-----	--	---------------	--------

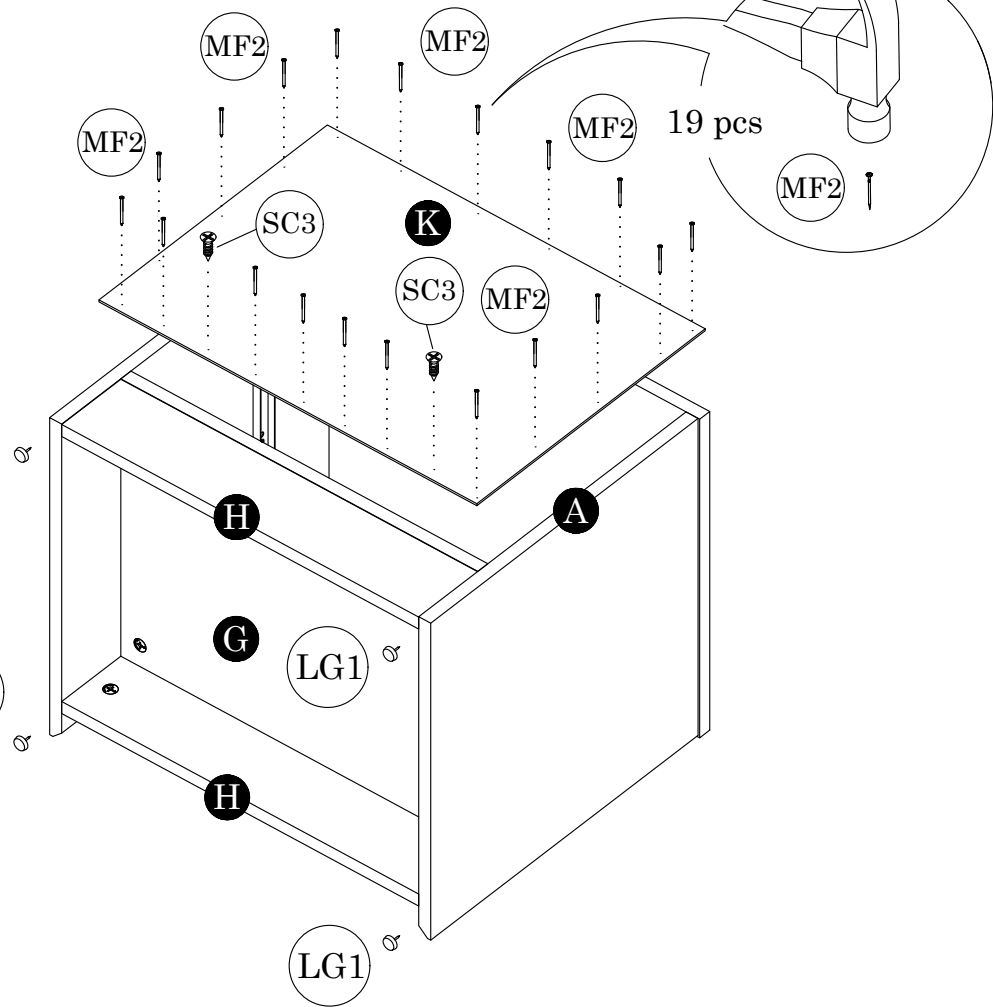
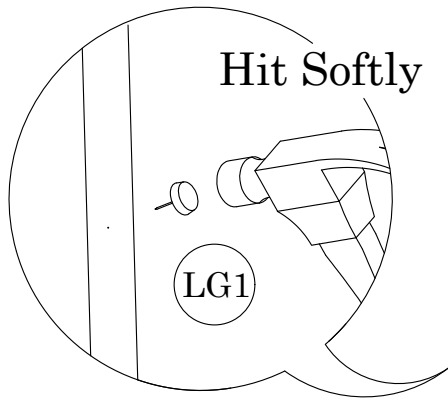


STEP 8



MN2		Mini Fix 15mm	4 Sets
-----	---	---------------	--------

STEP 9



STEP 10

