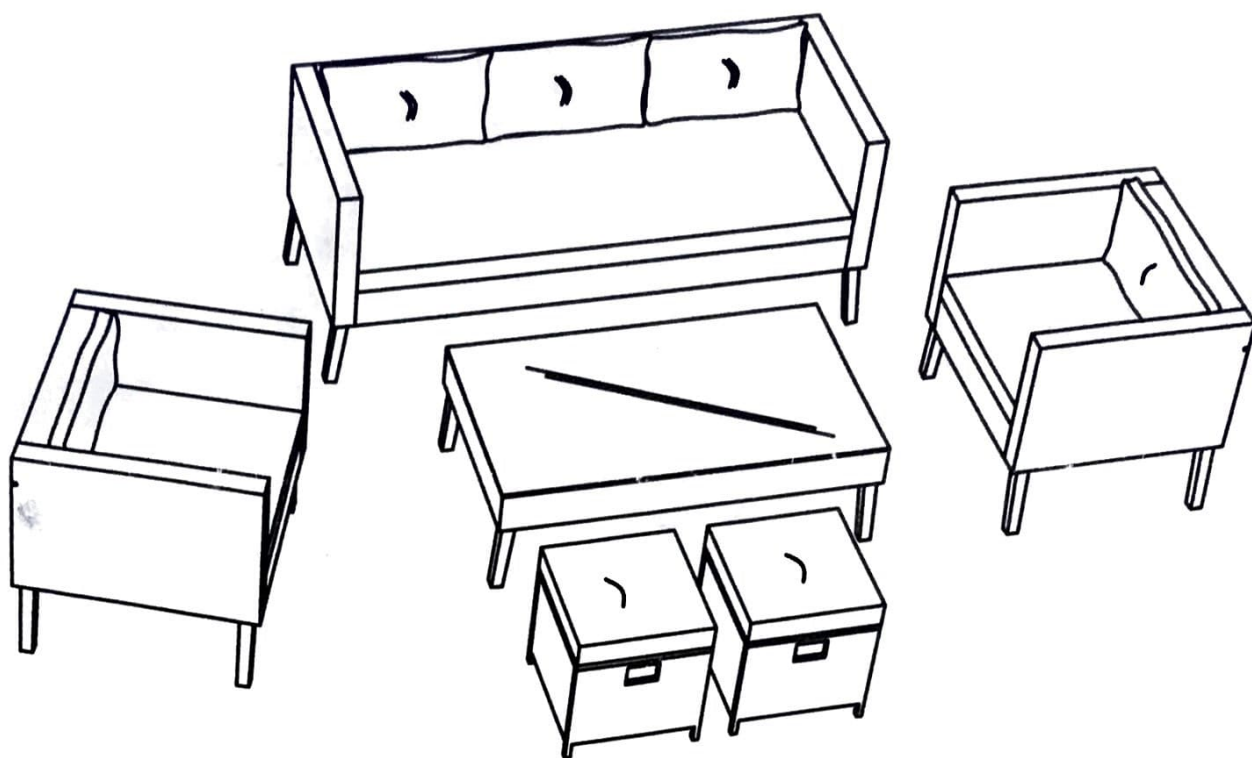
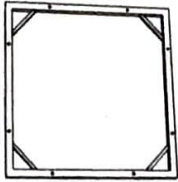


ASSEMBLY INSTRUCTION

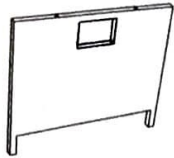
6PCS JUNO SET



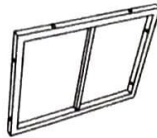
COMPONENTS:



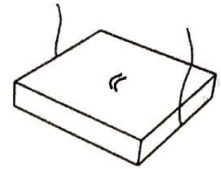
(A) x2



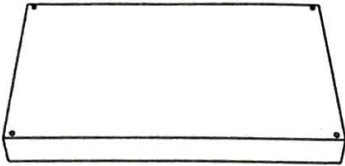
(B) x4



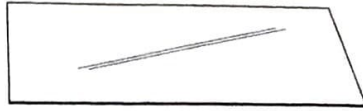
(C) x4



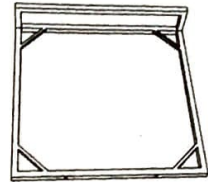
(D) x2



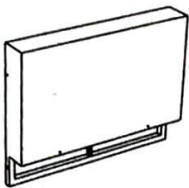
(E) x1



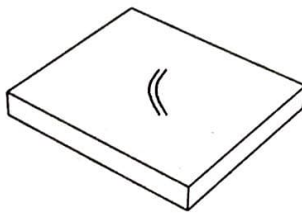
(F) x1



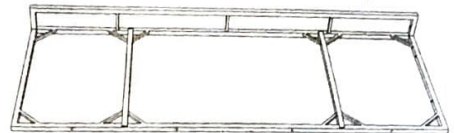
(G) x2



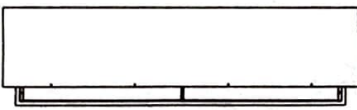
(H) x2



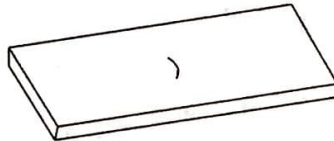
(J) x2



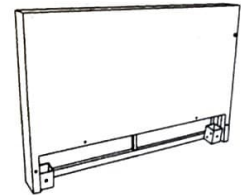
(K) x1



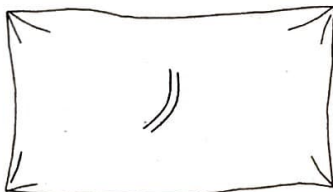
(L) x1



(M) x1



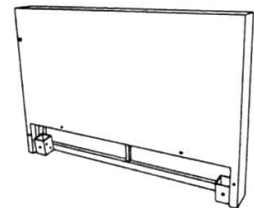
(P) x3



(Q) x2



(R) x3



(T) x3

HARDWARE:



Bolt M6x40mm = 32 pcs



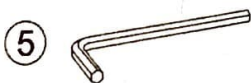
Bolt M6x35mm = 32 pcs



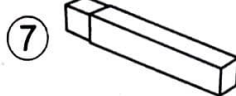
Wood Screw M4x25mm = 48 pcs



Washer = 70 pcs



Allenkey = 2 pcs

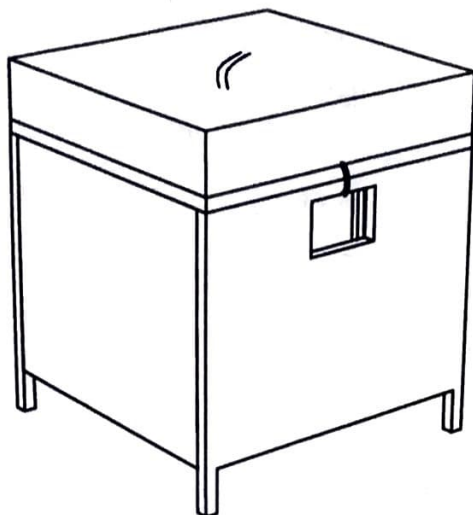


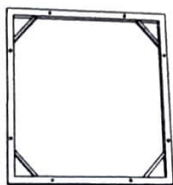
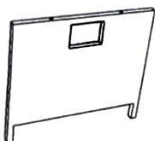
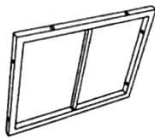
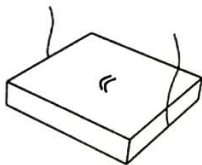
Wood Leg = 16 pcs






Bolt M6x90mm = 6 pcs

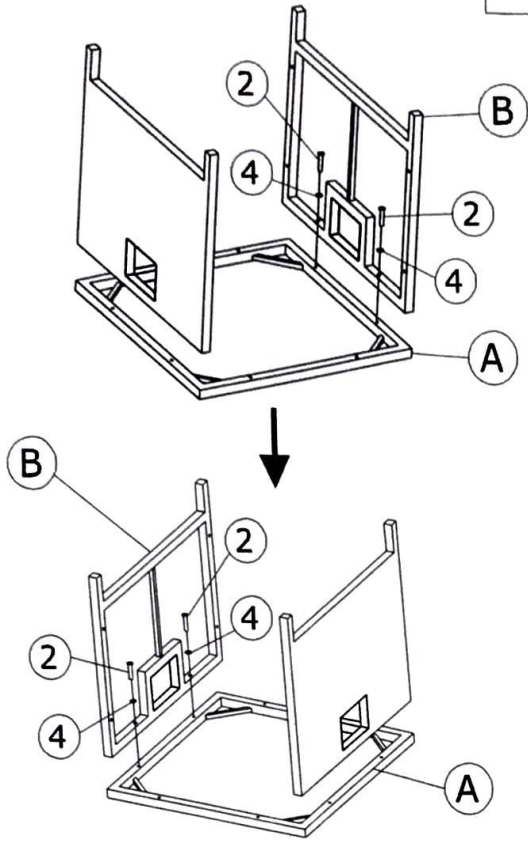
X2



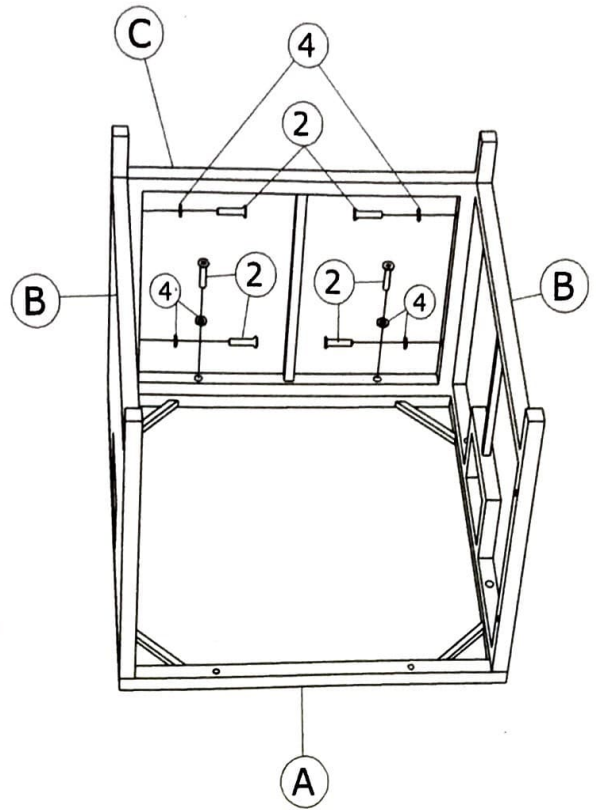
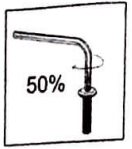
A		1 PC
B		2 PCS
C		2 PCS
D		1 PC

2	 M6x35 mm	16 PCS
4	 Ø6 x 14 mm	16 PCS
5	 Allenkey 4 x 80	1 PC

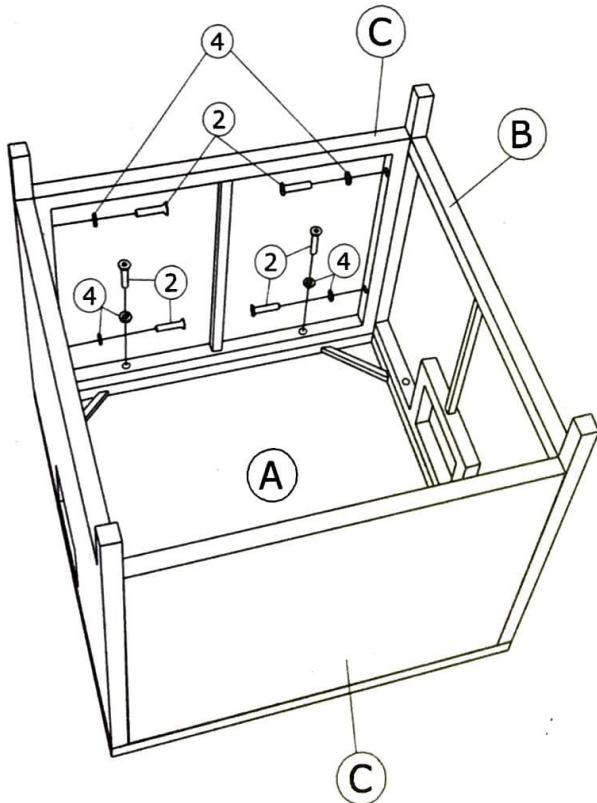
Step 1:



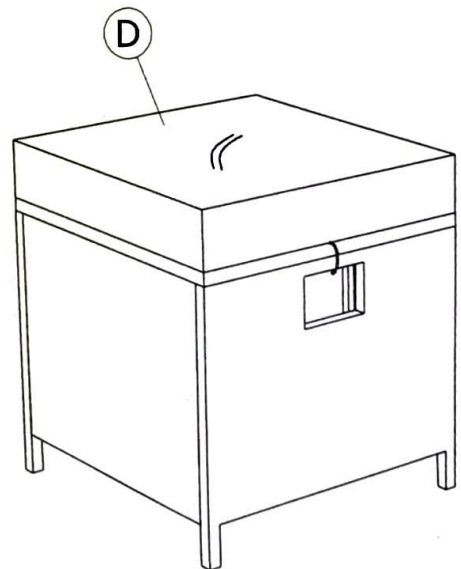
Step 2:



Step 3:

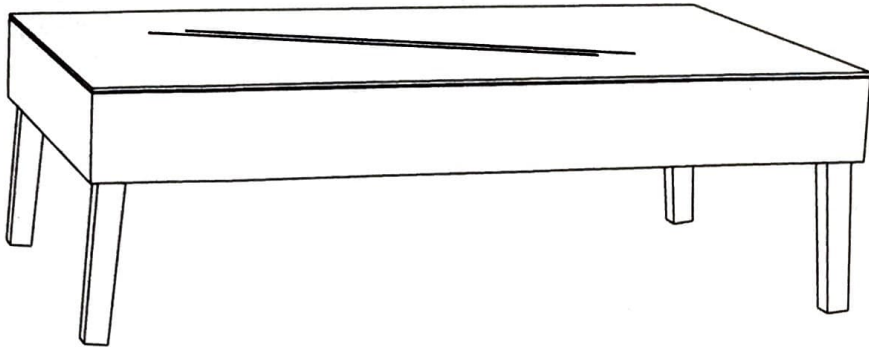


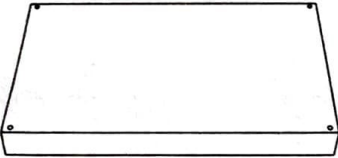
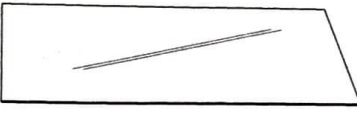
Step 4:


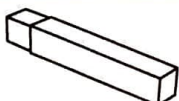


FINISH

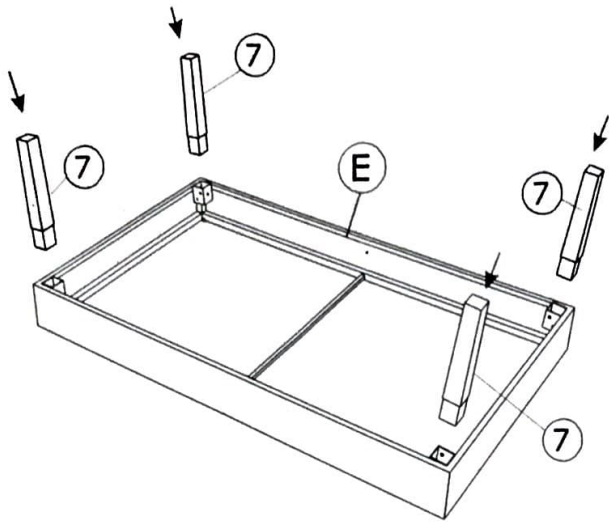
X1



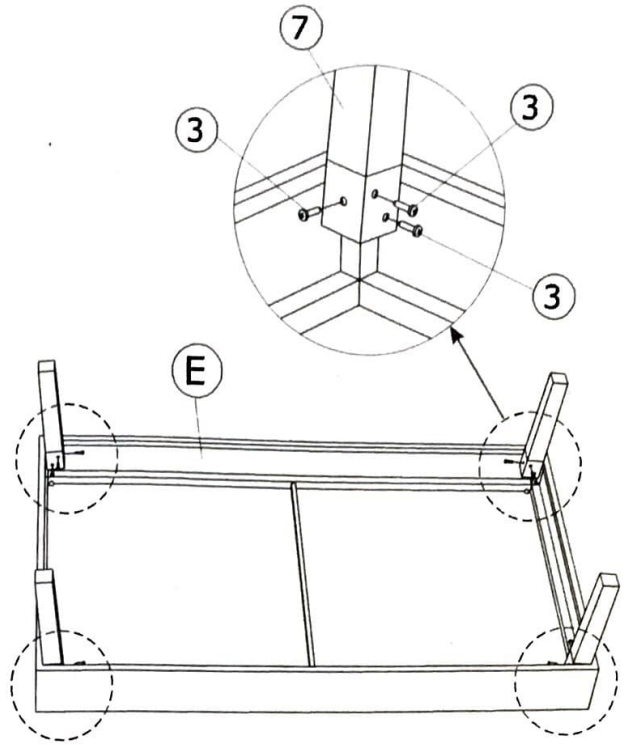
E		1 PC
F		1 PC

3		12 PCS
7		4 PCS

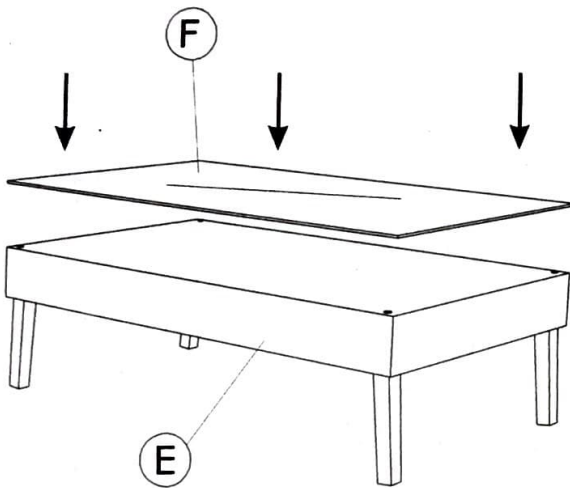
Step 1:



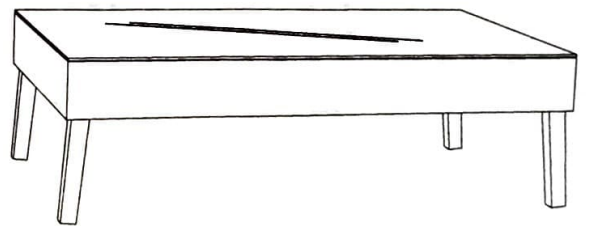
Step 2:



Step 3:

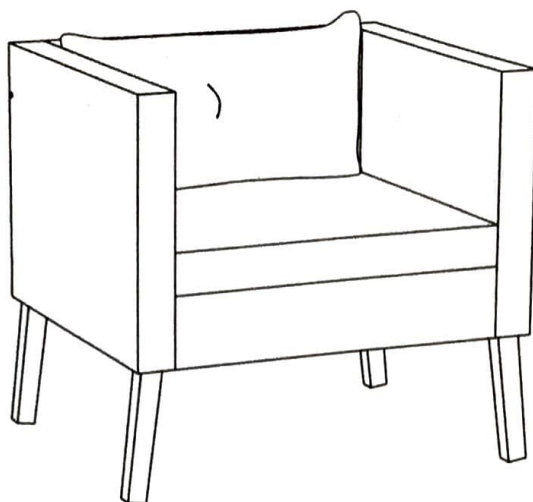


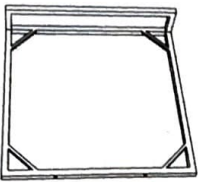
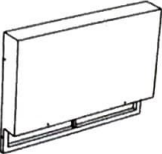
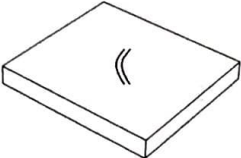
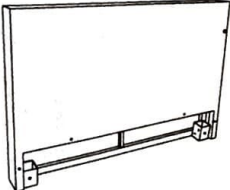
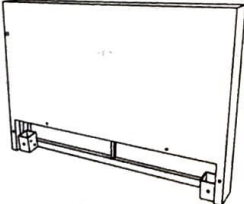
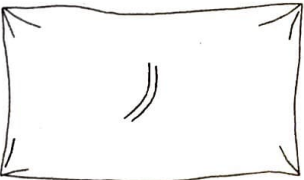
Step 4:





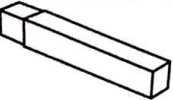



FINISH

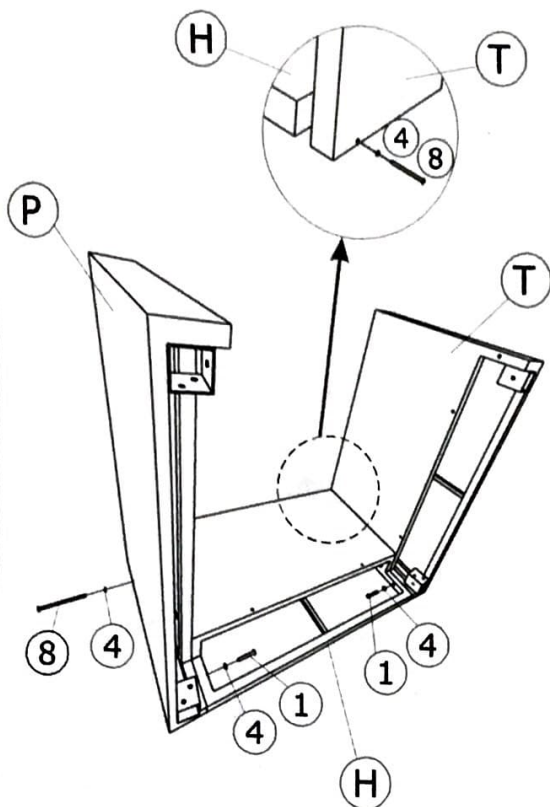
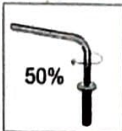
X2



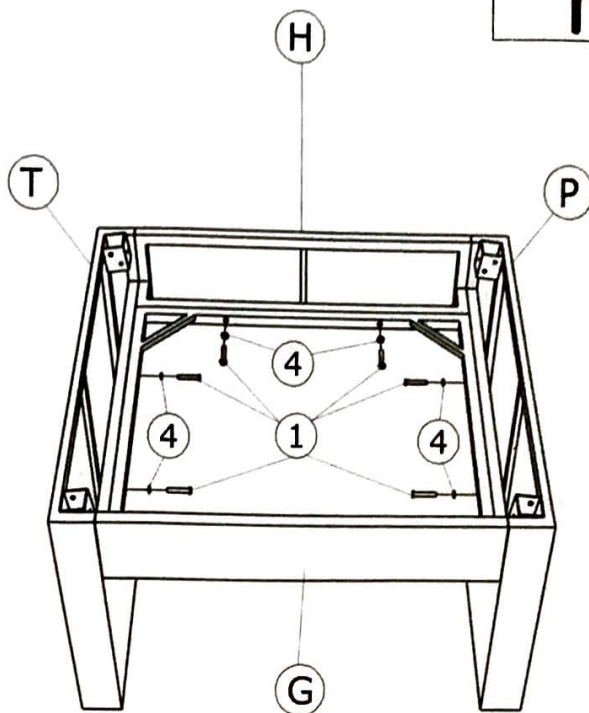
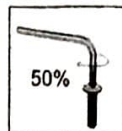
G		1 PC
H		1 PC
J		1 PC
P		1 PC
T		1 PC
Q		1 PC

1	 M6x40 mm	10 PCS
3		12 PCS
4	 Ø6 x 14 mm	12 PCS
5	 Allenkey 4 x 80	1 PC
7		4 PCS
8	 M6x90 mm	2 PCS

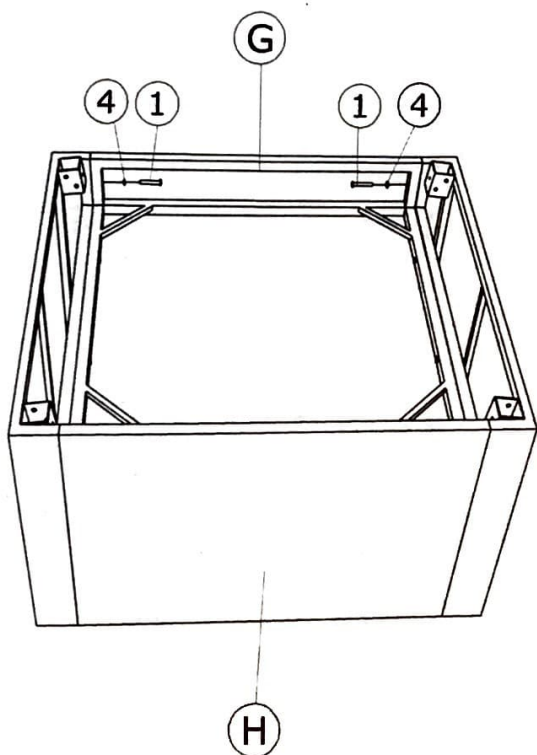
Step 1:



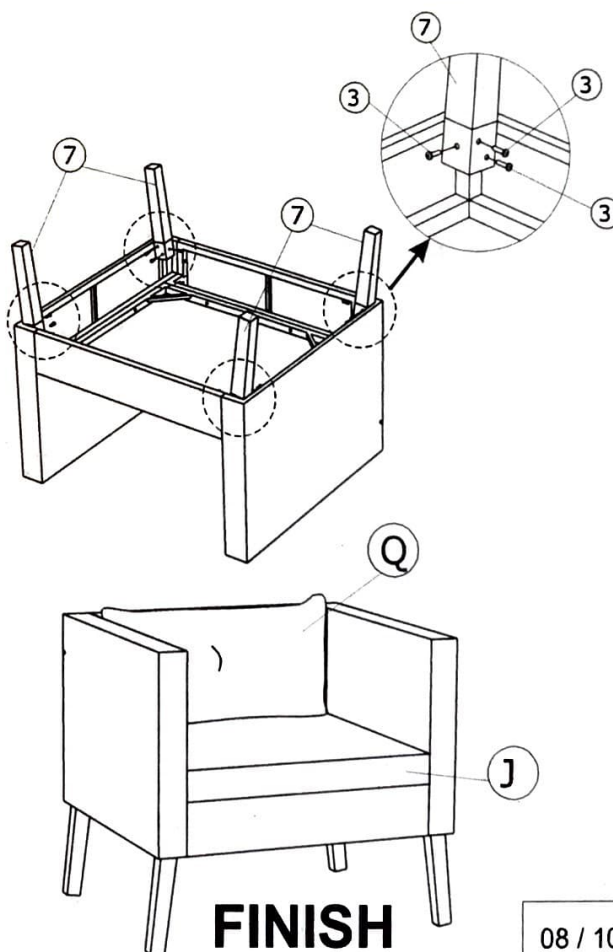
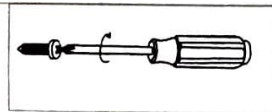
Step 2:



Step 3:

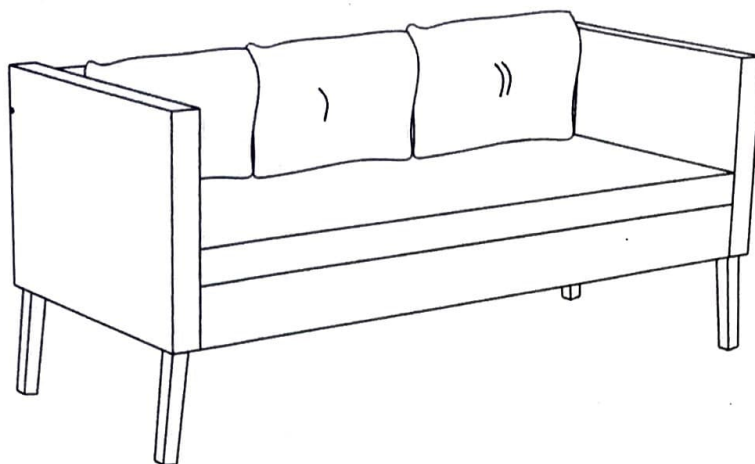


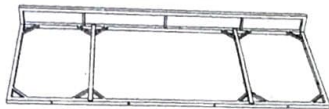
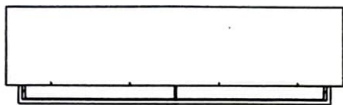
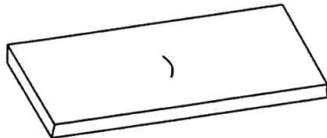
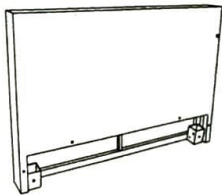
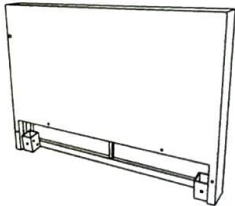

Step 4:





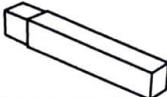



FINISH

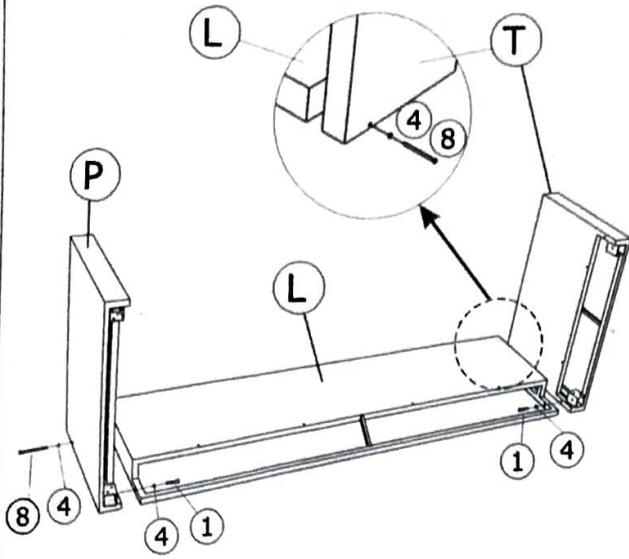
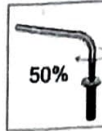
X1



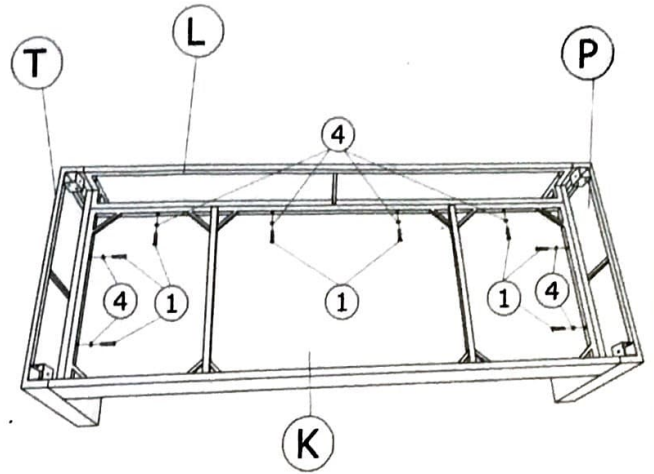
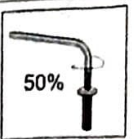
K		1 PC
L		1 PC
M		1 PC
P		1 PC
T		1 PC
R		3 PCS

1	 M6x40 mm	12 PCS
3		12 PCS
4	 Ø6 x 14 mm	14 PCS
5	 Allenkey 4 x 80	1 PC
7		4 PCS
8	 M6x90 mm	2 PCS

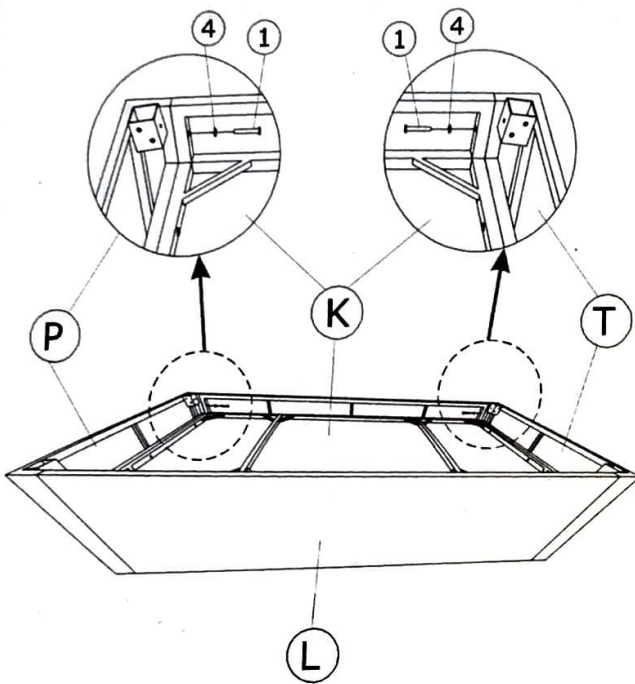
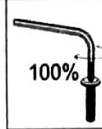
Step 1:



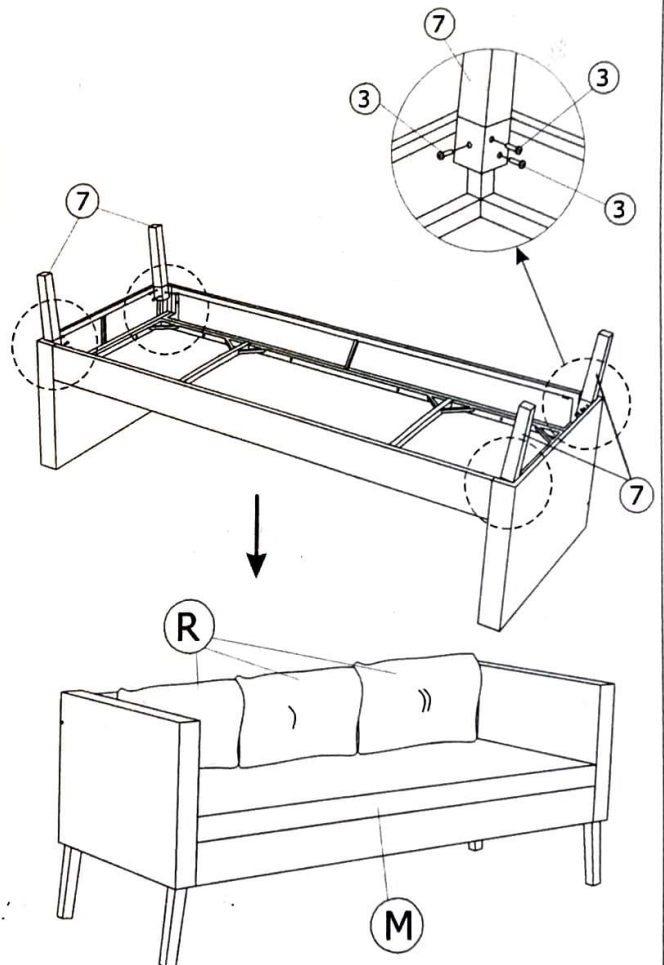
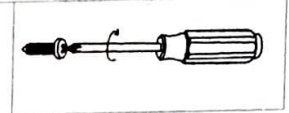
Step 2:



Step 3:



Step 4:



FINISH