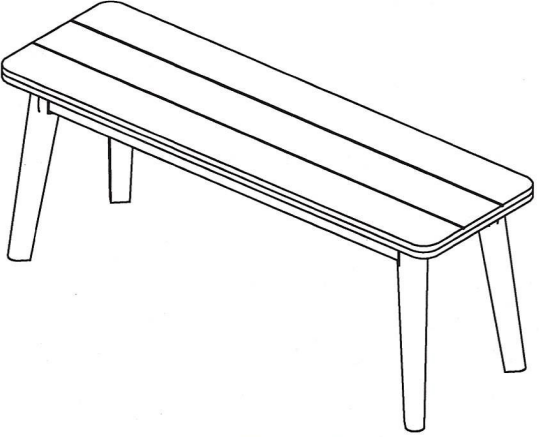
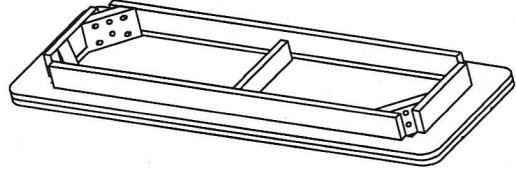
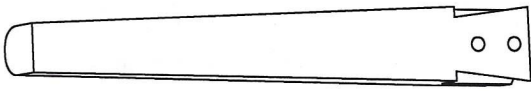





# ASSEMBLY INSTRUCTIONS

## DINING BENCH-FCVN81

| PICTURES   | CODE     | PARTS  | Q.TY     |
|--|----------|--|----------|
|  | <b>A</b> |  | <b>1</b> |
|  | <b>B</b> |  | <b>4</b> |

### HARDWARES

| CODE     | PICTURES  | SIZE         | AMOUNT   |
|----------|---|--------------|----------|
| <b>1</b> |    | Bolts M8     | <b>8</b> |
| <b>2</b> |   | Flat washers | <b>8</b> |
| <b>3</b> |  | Key M4       | <b>1</b> |

