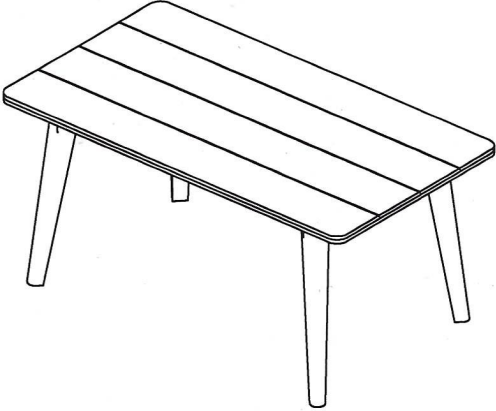
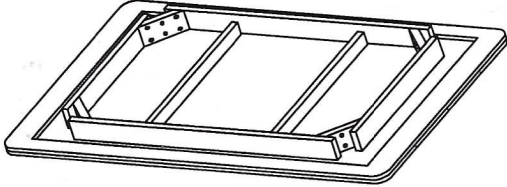

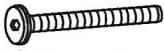




ASSEMBLY INSTRUCTIONS

DINING TABLE-FCVN81

PICTURES	CODE	PARTS	Q.TY
	A		1
	B		4

HARDWARES

CODE	PICTURES	SIZE	AMOUNT
1		Bolts M8	8
2		Flat washers	8
3		Key M4	1

