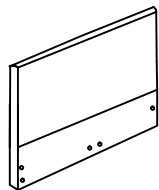


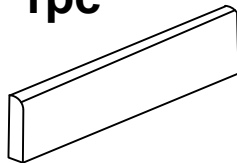
**1**

# PART LIST

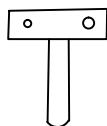
1.Headboard  
1pc



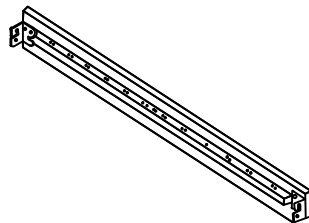
2.Footboard  
1pc



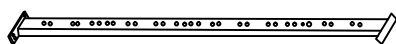
3.Support Leg \*2pcs



4.Side Rail\*2pcs



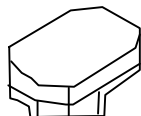
5.Center Support Bar  
1pcs



6.Slats\*24pc



7.Double Plastic Cap  
12pcs



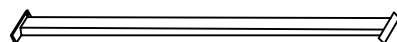
8.Single Plastic Cap  
24pcs



9.Leg\*4pcs



10.Center Support Bar  
1pcs



# HARDWARE LIST

(A) Bolt M8\*30mm\*16pcs

(B) Bolt M8\*35mm\*4pcs



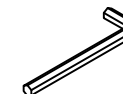
(C) Nut M8\*4pcs

(D) Spring Washer\*8pcs



(E) Flat Washer \*12pcs

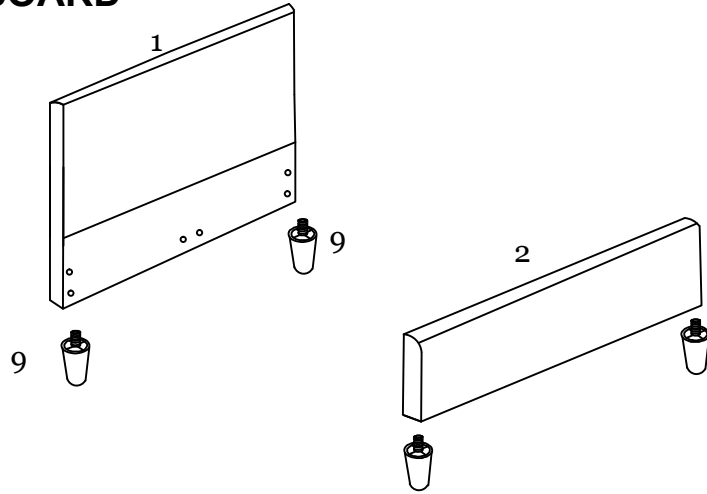
(F) Allen Key M5\*1pcs



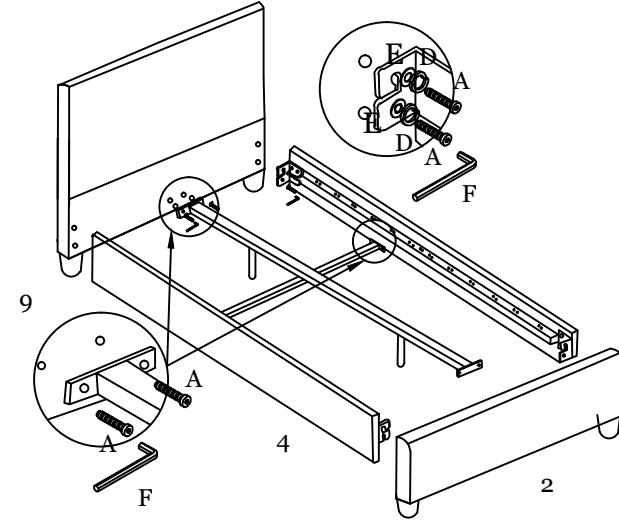
(G) Spanner \*1pcs



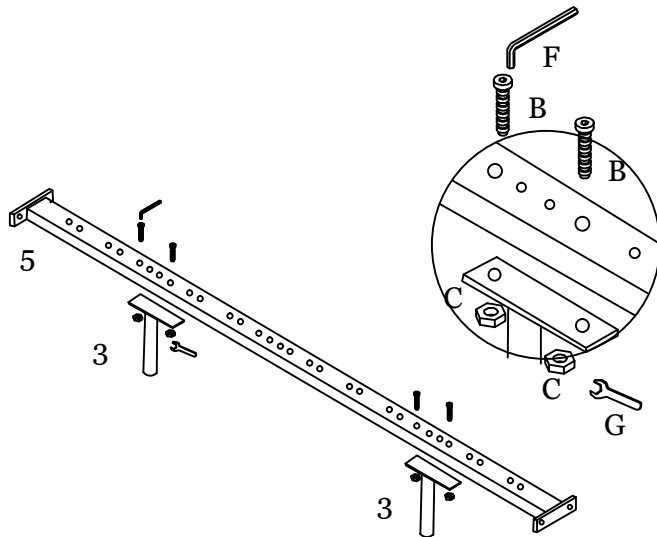
### STEP 1 FIXING LEGS TO HEADBOARD AND FOOTBOARD



### STEP 3 FIXING SIDE RAILS AND CENTRE SUPPORT BAR TO HEADBOARD AND FOOTBOARD



### STEP 2 FIXING SUPPORT LEGS TO CENTRE SUPPORT BAR



### STEP 4 FIXING PLASTIC CAPS AND SLATS

