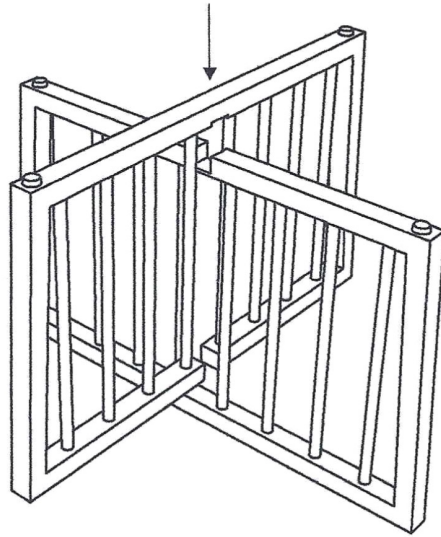




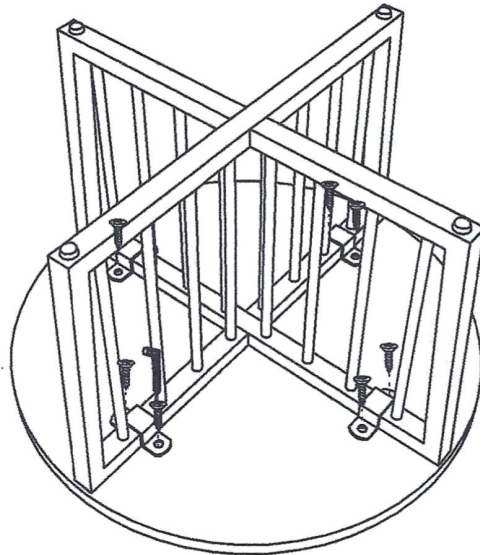
assembly drawing




1



	X1
	X1

2



	X1
	X8
	X1

3

